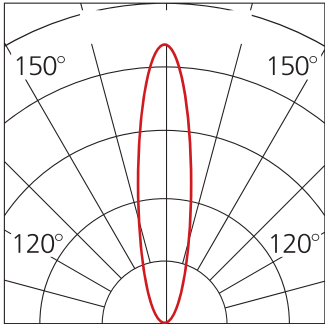
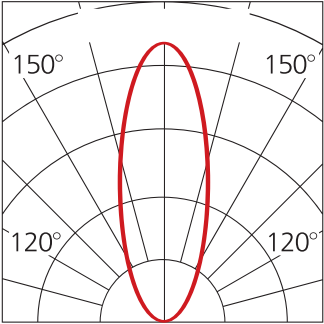


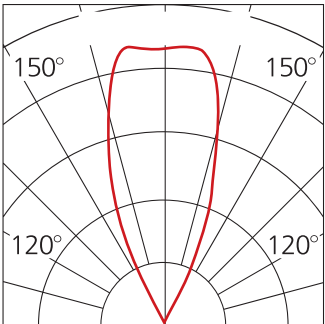
BEAM ANGLE



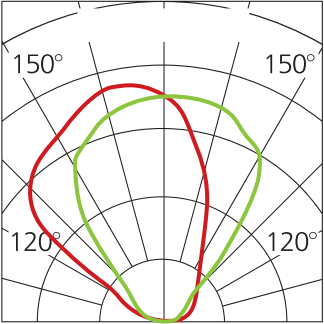
13°



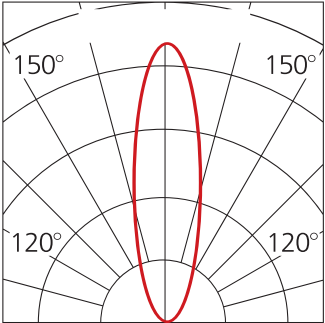
30°



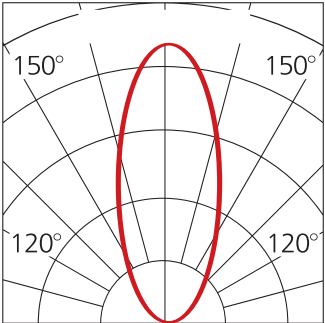
48°



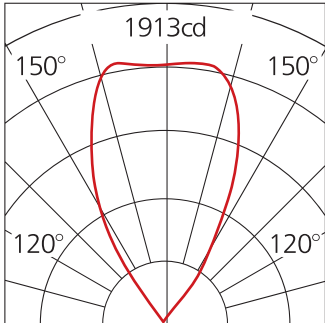
Asymmetric



22°



35°



60°