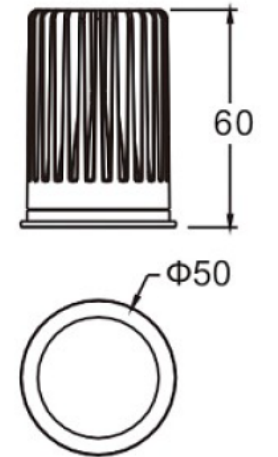
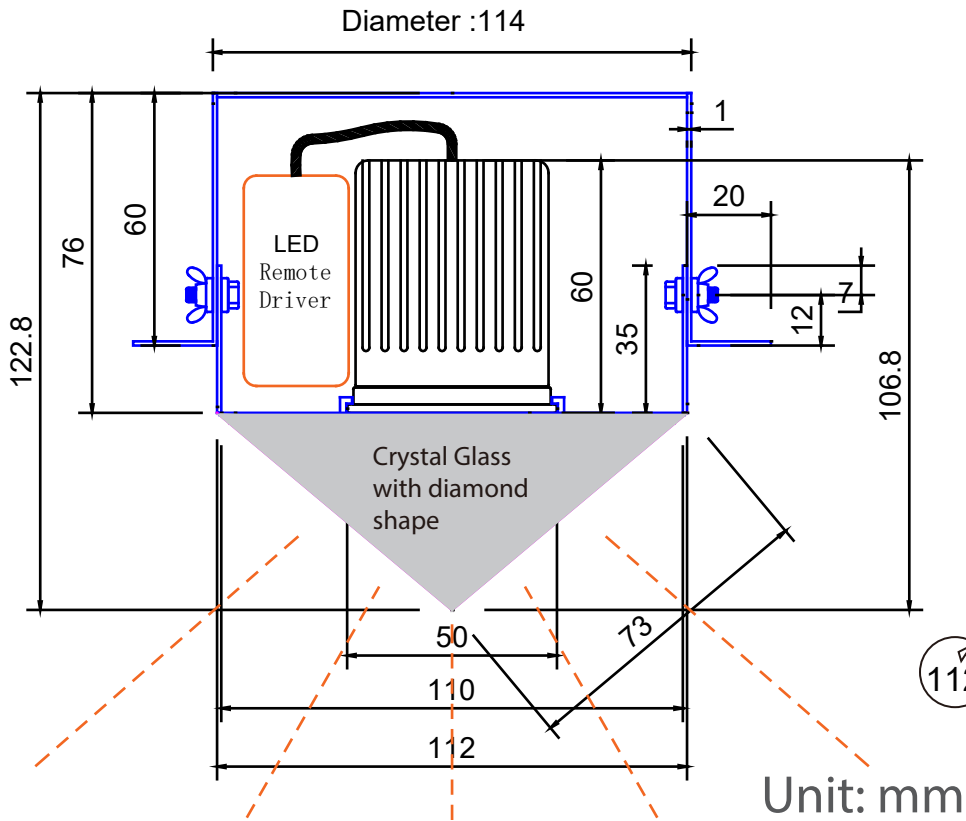


Technical Drawing



Unit: mm



Crystal Glass with diamond shape