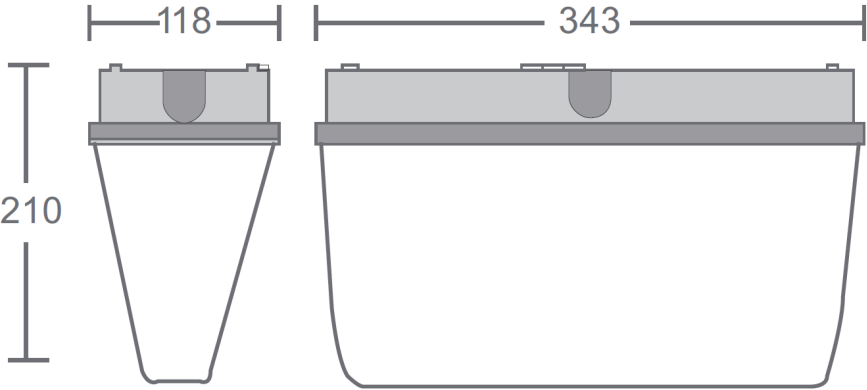
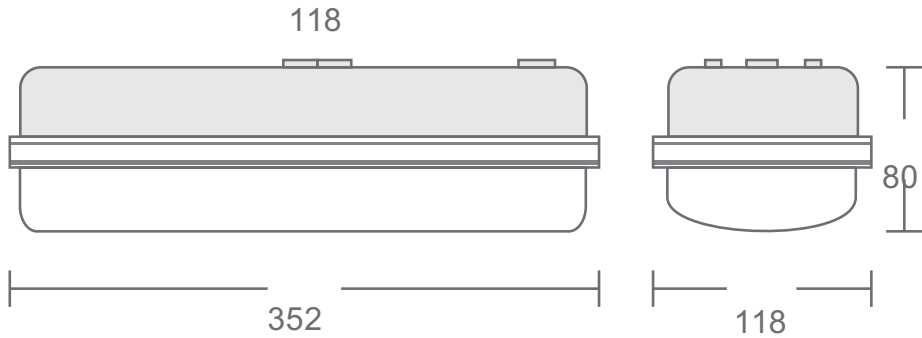


Technical Drawing



Double Side



Single Side

Unit: mm