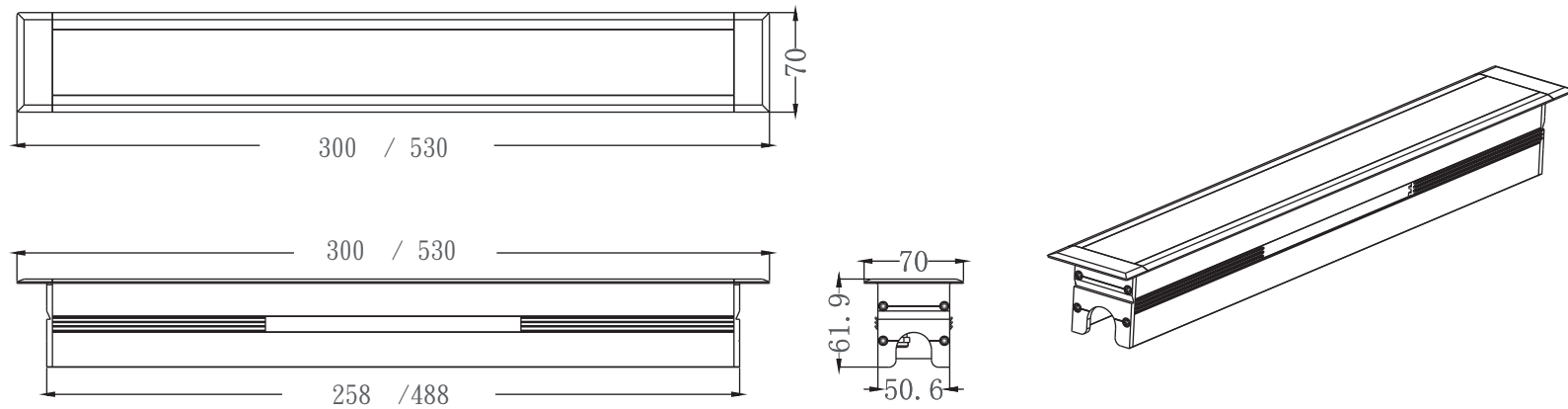


Technical Drawing



Cut off: 285 x 63mm
505 x 63mm

Unit: mm