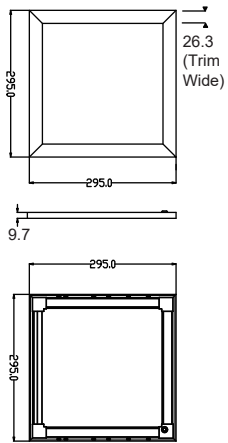
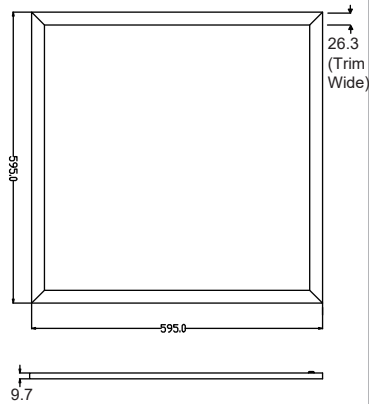


Technical Drawing

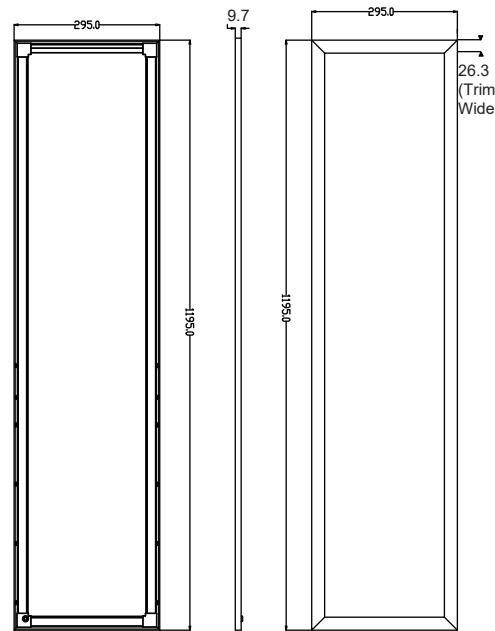
A
295*295 mm



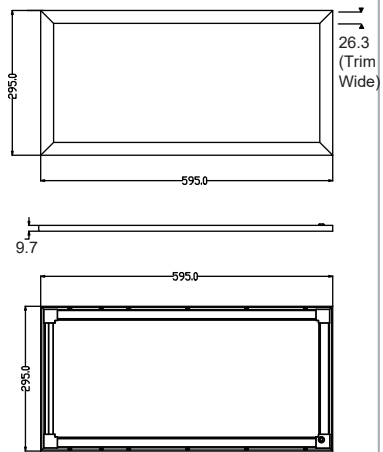
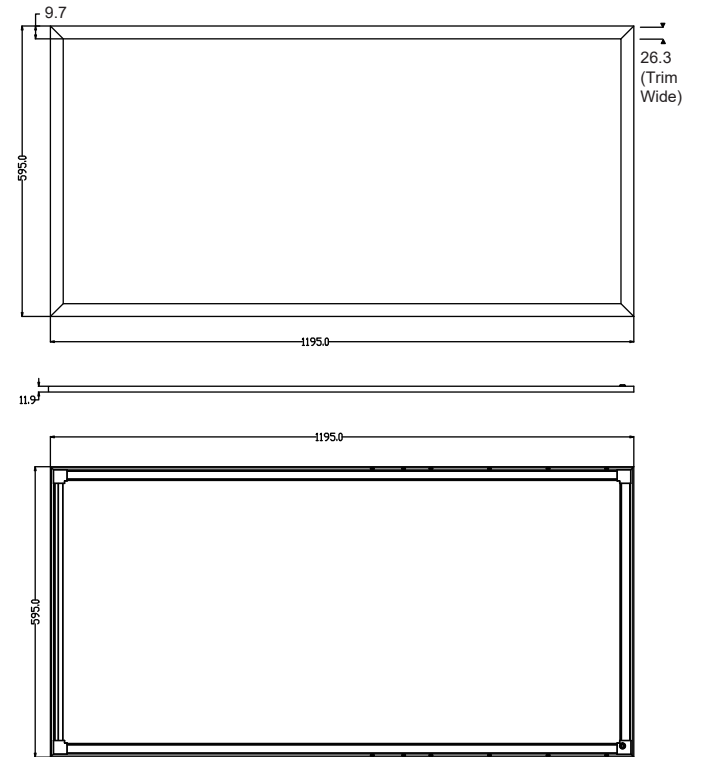
C
595*595 mm



D
1195*295 mm



E
1195*595 mm



B
595*295 mm

Unit: mm