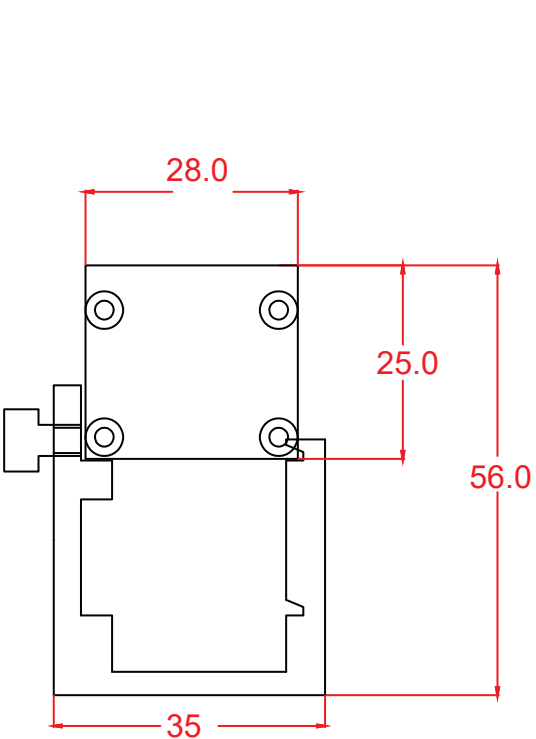
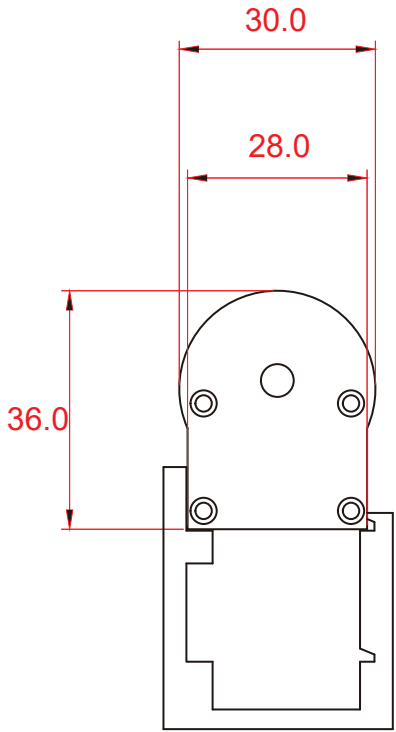


Technical Drawing-28mm Wide

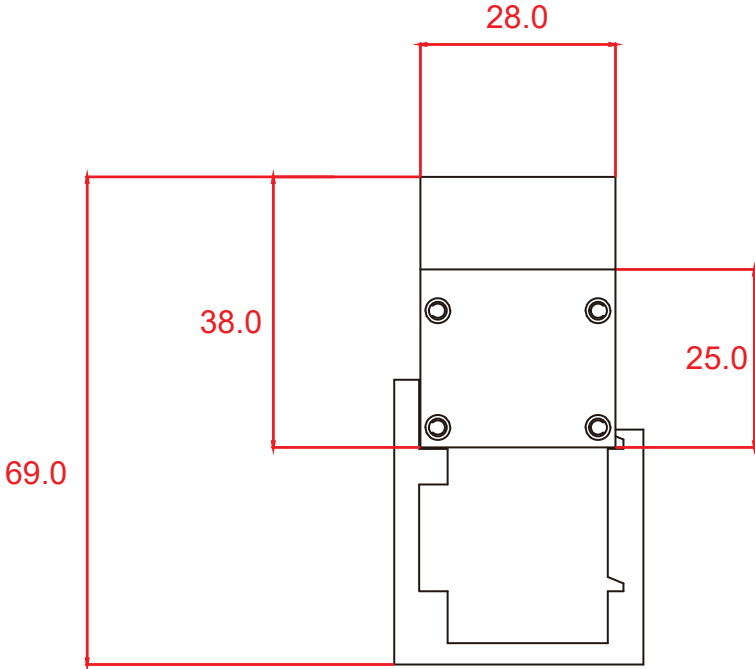
Length: 250mm / 500mm / 1000mm/ 1500mm/ 2000mm



Optical Lens 120°
or
Tempered Clear Glass 20° x 90°



PMMA
Diffuser
20° x 90°

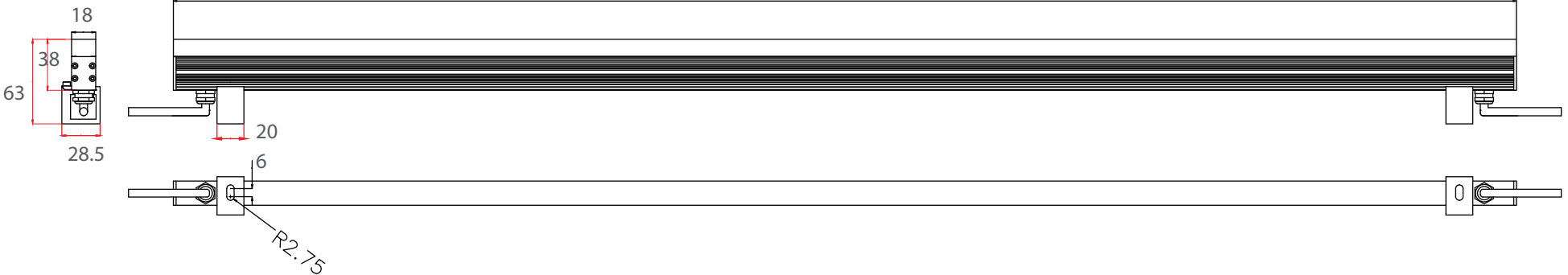


PMMA
Diffuser
20° x 90°

Unit: mm

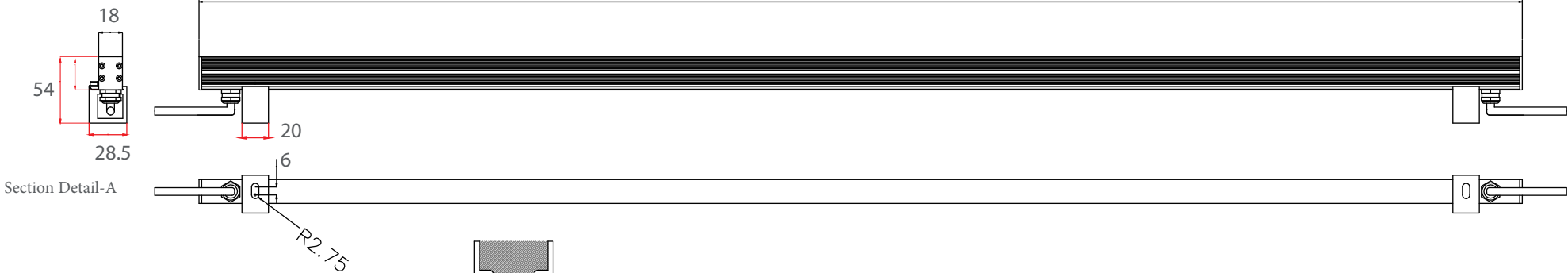
Technical Drawing - Wide 18mm

250mm / 500mm / 1000mm



New product -Fill Gel
60lm/w @ Mono Color Beam Angle: 120

250mm / 500mm / 1000mm



Unit: mm