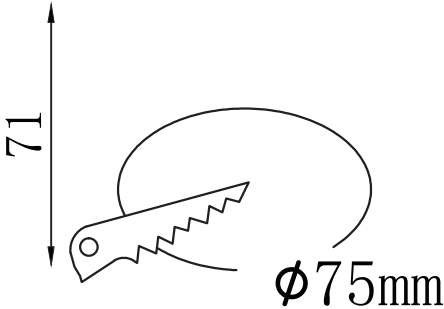
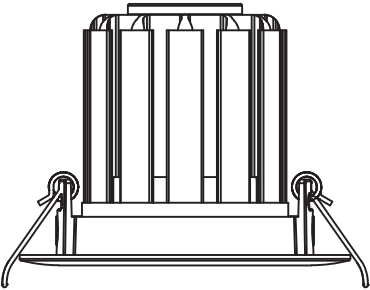
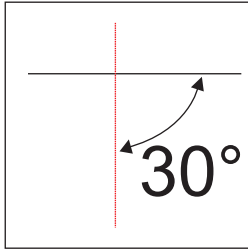
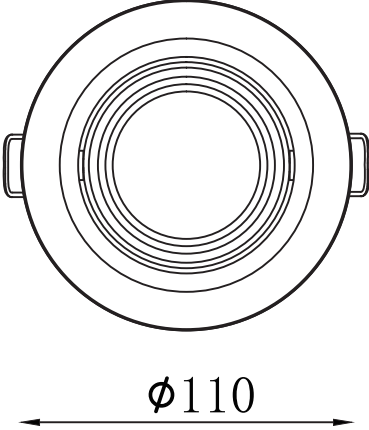
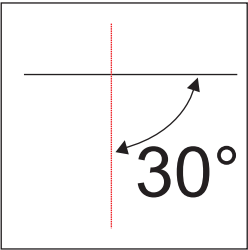
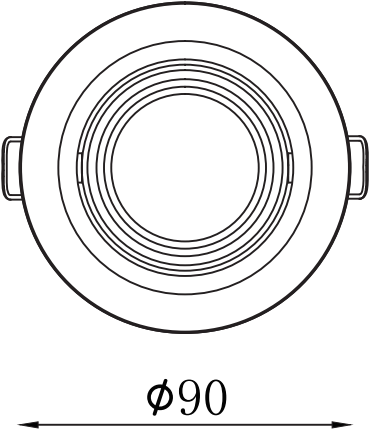
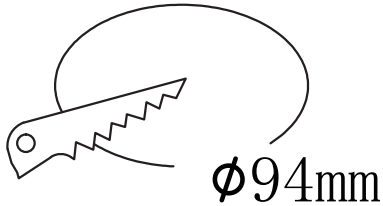


Technical Drawing



6W & 9W

11W & 13W & 15W



Unit: mm