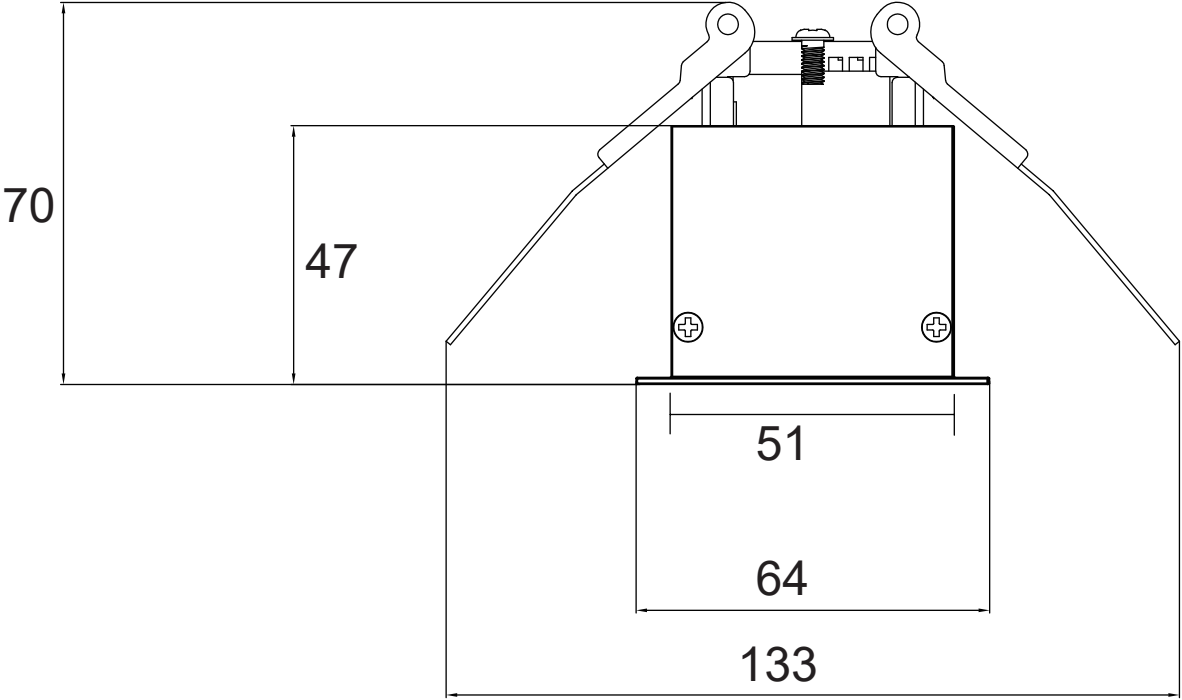


Technical Drawing



Length: 1064 / 1330 / 1596 / 2128 mm

Unit: mm