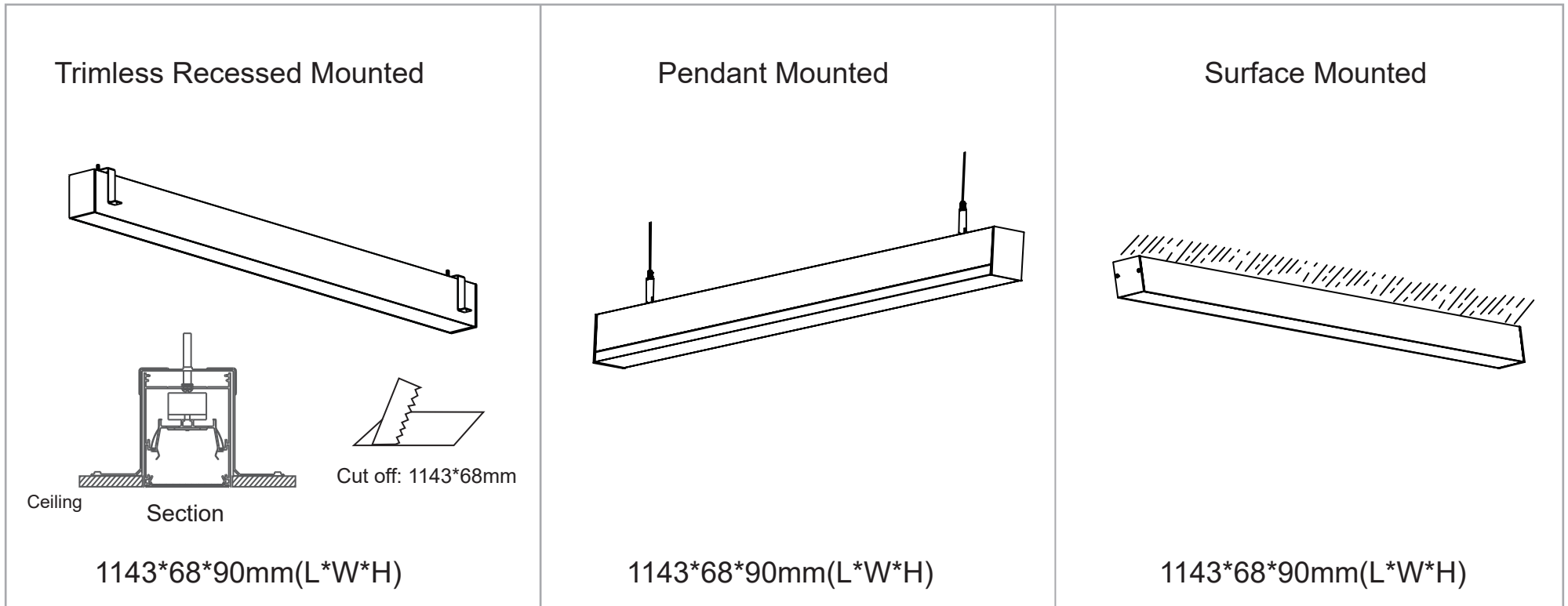


Technical Drawing



L=863-3943mm (280mm step)(Other size)

Unit: mm