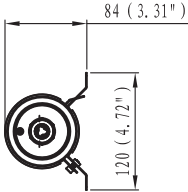
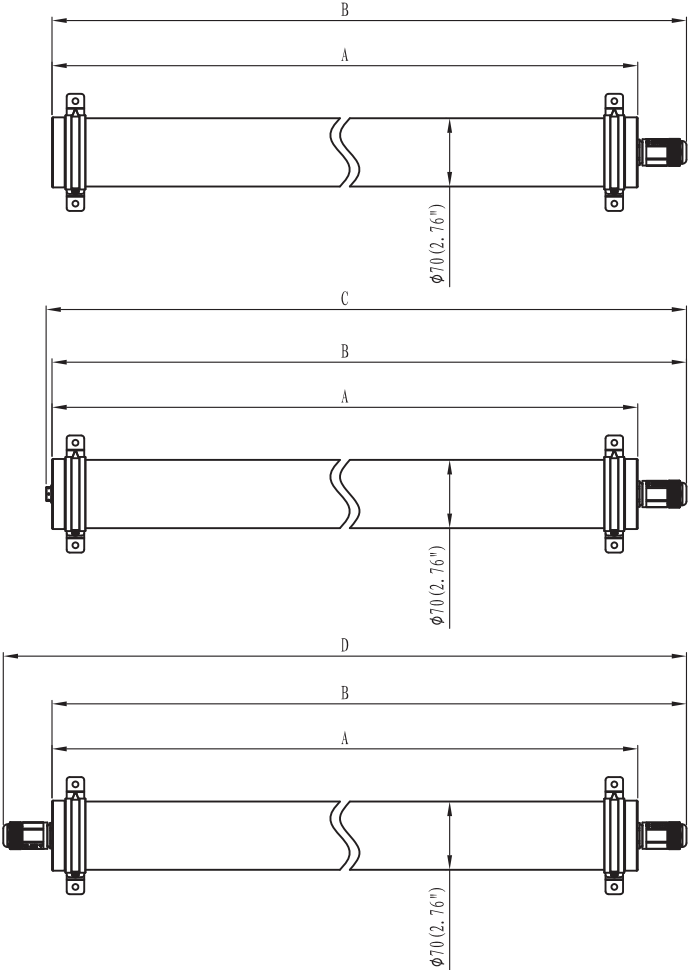


Technical Drawing



MODEL	A		B		C		D	
	mm	in	mm	in	mm	in	mm	in
20W	600	23.62	650	25.59	656	25.83	700	27.56
40W	1128	44.41	1178	46.38	1184	46.61	1228	48.35
50W	1390	54.72	1440	56.69	1446	56.93	1490	58.66

Unit: mm