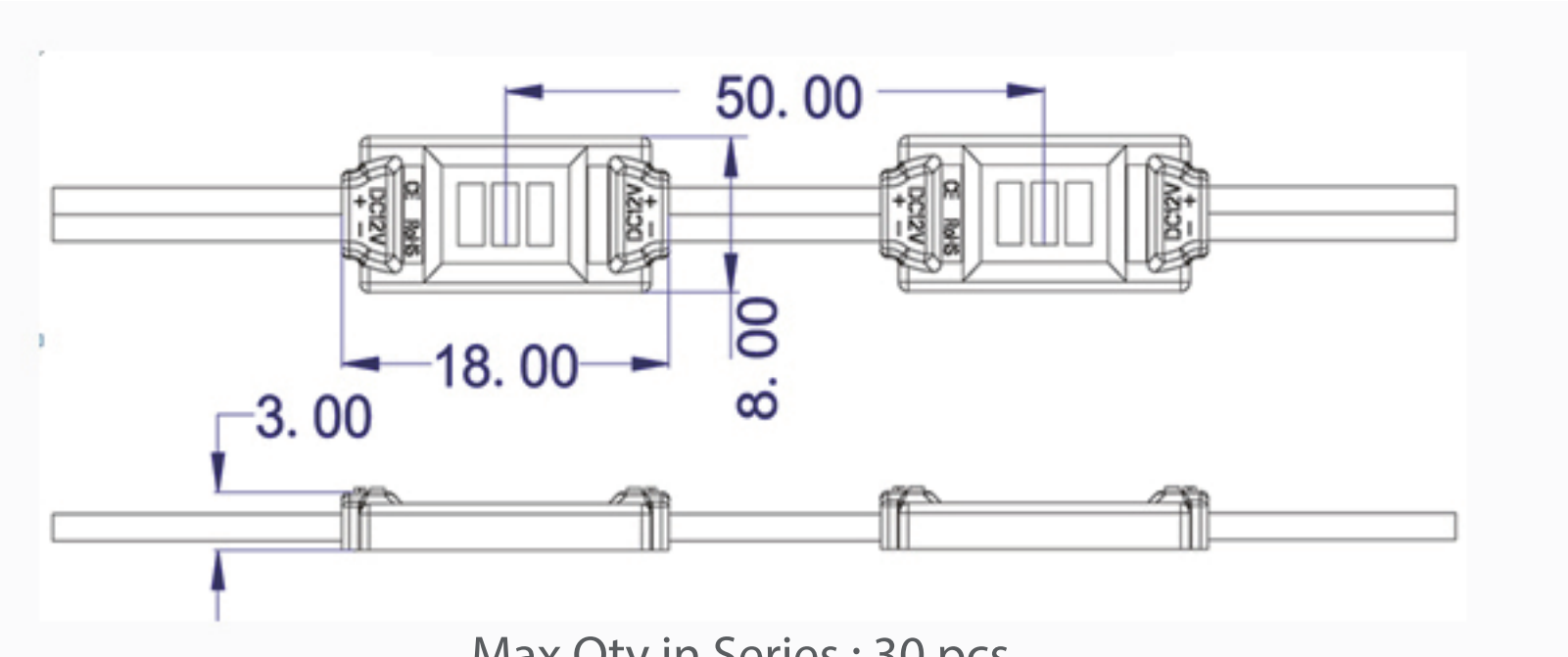


Technical Drawing



Max Qty in Series : 30 pcs

Unit: mm