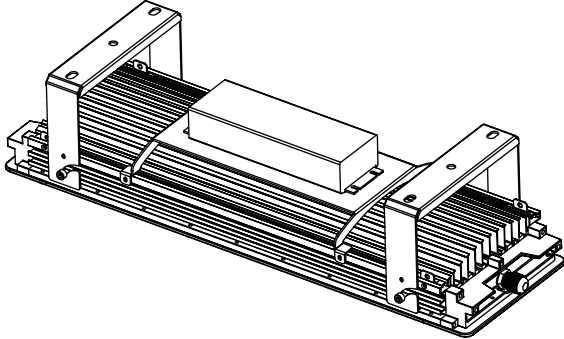
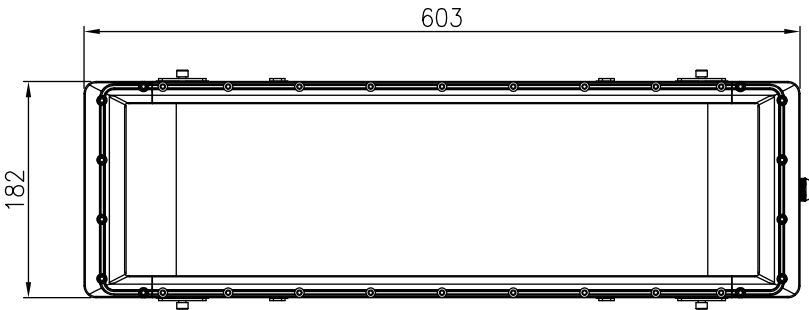
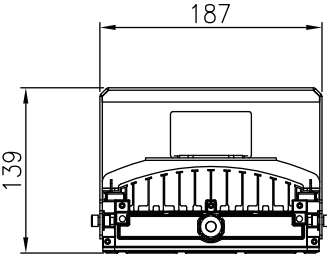
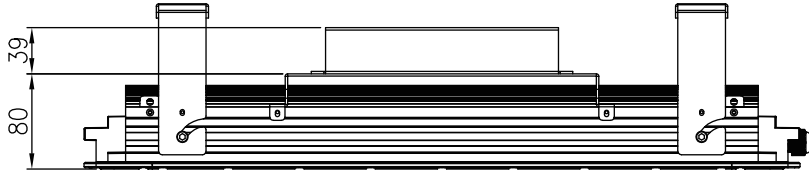
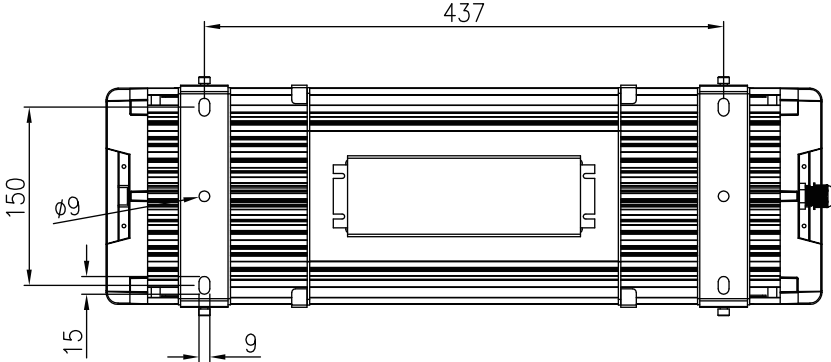


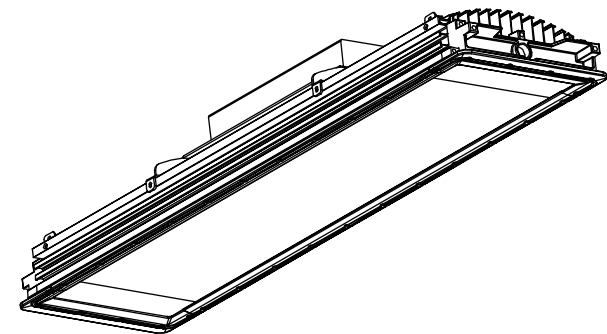
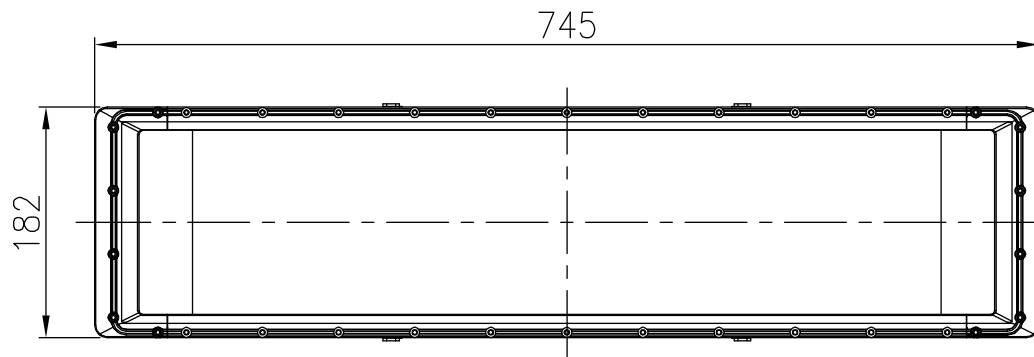
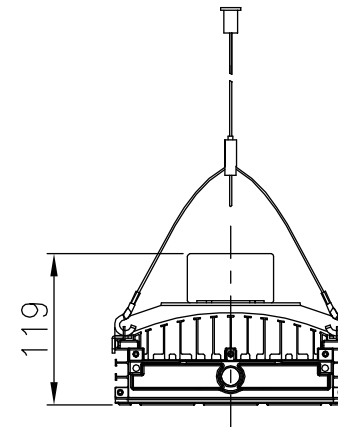
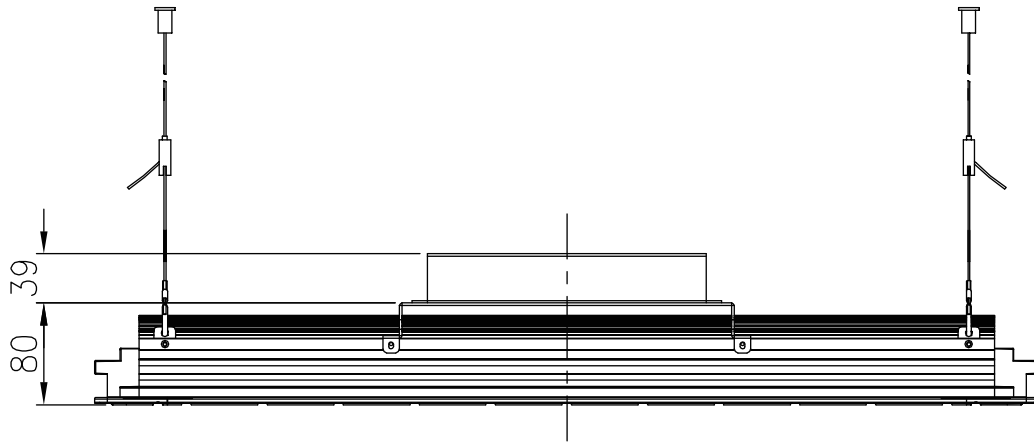
# Technical Drawing



110W&150W

Unit: mm

# Technical Drawing



200W

Unit: mm