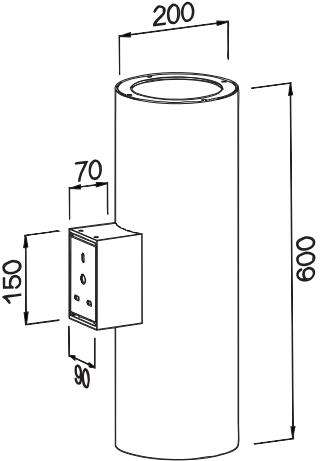
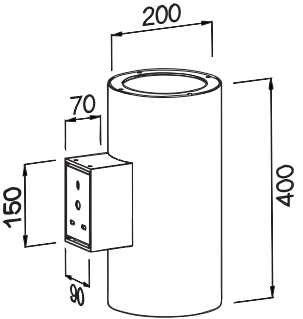
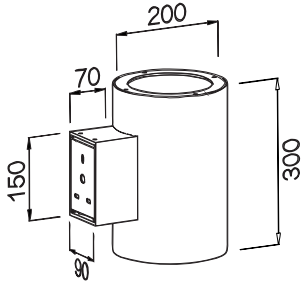
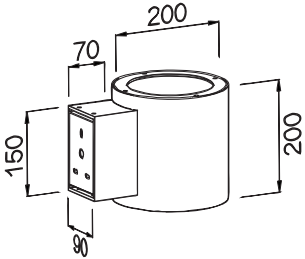
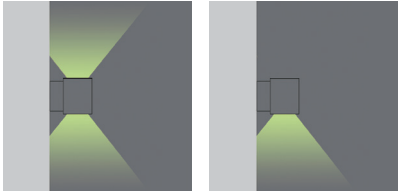


Technical Drawing



Unit: mm