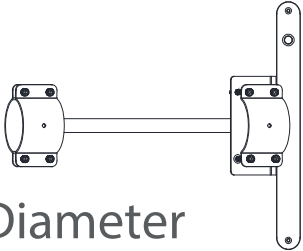
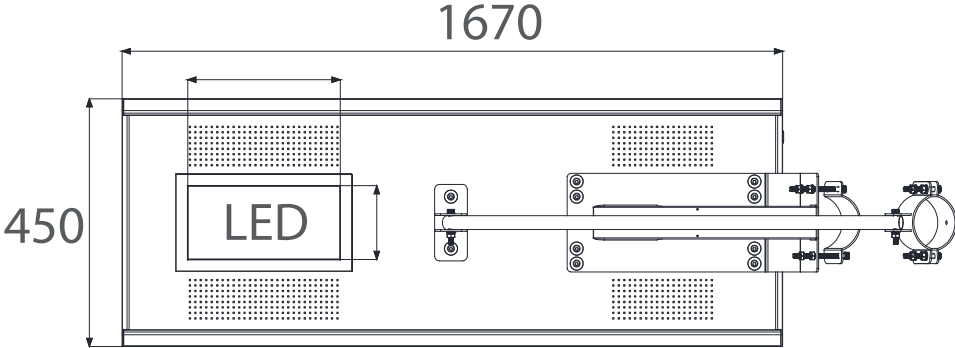
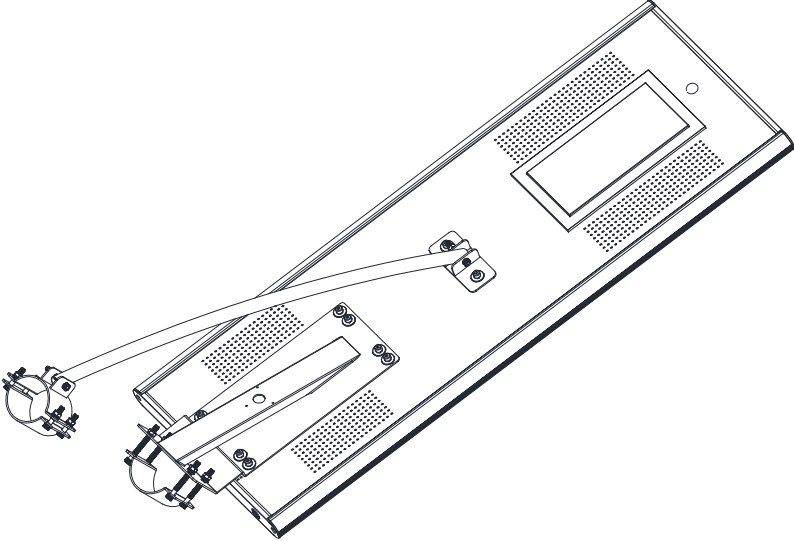
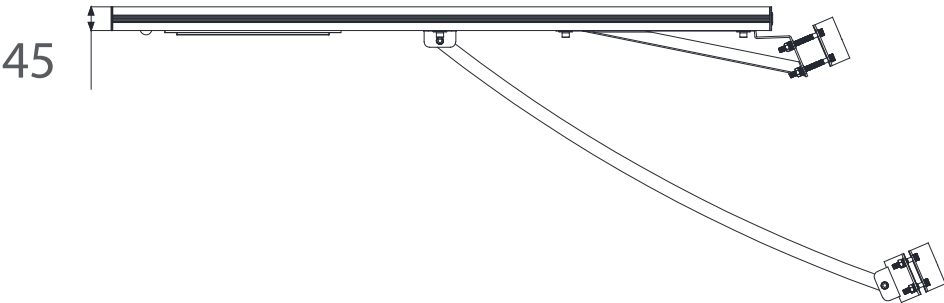


Technical Drawing



Pole Diameter
60 & 76mm

Unit: mm