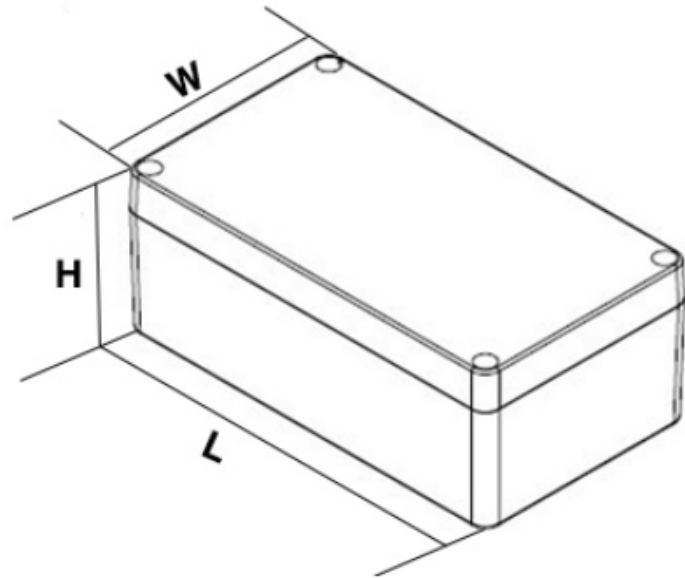
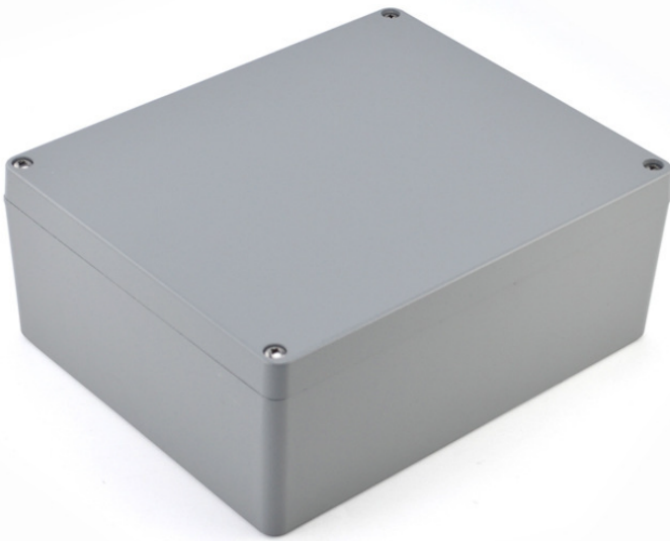


E-NANO-IP66 EMERGENCY KIT

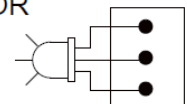
IP66



Product Features

- Smart dip switch constant current output
- Capable of achieving dimming as normal dimming light.
- DALI or 0/1 - 10V dimming driver is supportable.
- Suitable for Maintained or Non-maintained luminaires.
- Electronic charge system.
- Deep discharge protection.
- Short-circuit proof battery connection.
- Automatic shutdown protection if the LED load is out of range.
- Simple wiring / installation.
- 2 hours or 3hours emergency backup with either Ni-MH battery or Ni-Cd battery
- Provided with a LED for indication when battery charge is in process.
- Tested in accordance with latest local requirement PPA/104(A)

LED INDICATOR



- GREEN - FULLY CHARGED
- RED - CHARGING
- YELLOW - FAULT

Product Specification- 2 Hours Battery Back UP						
Emergency Power Pack Model 應急電池系統型號	NANO-6-2	NANO-8-2	NANO-12-2	NANO-16-2	NANO-21-2	NANO-25-2
Emergency Kit Model No (IP20 Metal Box) 應急系統型號(IP20金屬盒)	NANO-K-6-2	NANO-K-8-2	NANO-K-12-2	NANO-K-16-2	NANO-K-21-2	NANO-K-25-2
IP66 Emergency Kit Model No (IP66 Die-casted Aluminum Box) IP66 應急系統型號(IP66 防水壓鑄鋁盒)	NANO-KWP-6-2	NANO-KWP-8-2	NANO-KWP-12-2	NANO-KWP-16-2	NANO-KWP-21-2	NANO-KWP-25-2
Converter Model: 應急轉換器型號:	E-NANO					
Battery Duration應急時間	2 hours	2 hours	2 hours	2 hours	2 hours	2 hours
LED Luminaire AC Power Max LED燈具最大功率	80W Max AC Power 最大80W AC功率					
Emergency Max Output Power 應急輸出最大功率	6W	8W	12W	16W	21W	25W
Emergency Output % 應急輸出	(6W/ AC POWER/0.8) %	(8W/ AC POWER/0.8) %	(12W/ AC POWER/0.8) %	(16W/ AC POWER/0.8) %	(21W/ AC POWER /0.8) %	(25W/ AC POWER /0.8) %
Battery Capacity電池容量	12V 1.6 AH	12V 2.0 AH	12V 3.0 AH	12V 4.0H	12V 5.0AH	12V 6.0 AH
Emergency output Voltage 應急輸出電壓範圍	DC18V to 60V Automatic Adjustment DC18V to 60自動調整					
Emergency output Current 應急輸出電流範圍	Smart dip switch constant current output adjustable from 150mA to 500mA - 50mA Step DIP開關調整，每級電流調整50mA					
LED Driver Input Max Input Voltage 外接驅動輸出最大電壓	< 80V DC Max					
LED Driver Input Max Input Current 外接驅動輸出最大電流	< 1.8A DC max					
Remote Box Size and Ingress Protection 電池盒尺寸(毫米)和防護級別	IP20 Metal Box金屬盒 -L: 370 x W: 95 x H: 55 mm or -L: 390 x W: 125 x H: 60 mm or -L: 370 x W: 205 x H: 45 mm I P66 Waterproof Die-casted Aluminum Box IP66 防水壓鑄鋁盒: L: 250 x W: 80x H:64mm for <8W / L250x W:80xH:80mm for <16W / L:280xW:230xH:110 mm for <25W					
Input Voltage / 輸入電壓	220-240VAC 50 / 60 Hz 交流電 220 - 240 伏特 +/-6%, 50/60 赫茲					
Battery Type 電池類型	Ni -MH for Standad or Ni-Cd battery is available upon request 標準鎳氫電池，鎳鎘電池可應要求提供					
Luminaires Type 照明方式	Maintained / Non Maintained Type 長明式 / 後備式					
Battery Recharge Duration 電池充電時間	Less than 12 hours 12小時					
Class of Insulation 絕緣等級	Class one Earthing 一級					
Ambient Temperature Range 環境溫度範圍	-10 to +50°C					
Protection 保護	SHORT CIRCUIT / OVER VOLTAGE 短路/電壓過高					
Compliance 符合標準	BS EN 60598-2-22, BS EN 61347-2-7, BS 5266-1, FSD PPA 104A (4th Revision)					

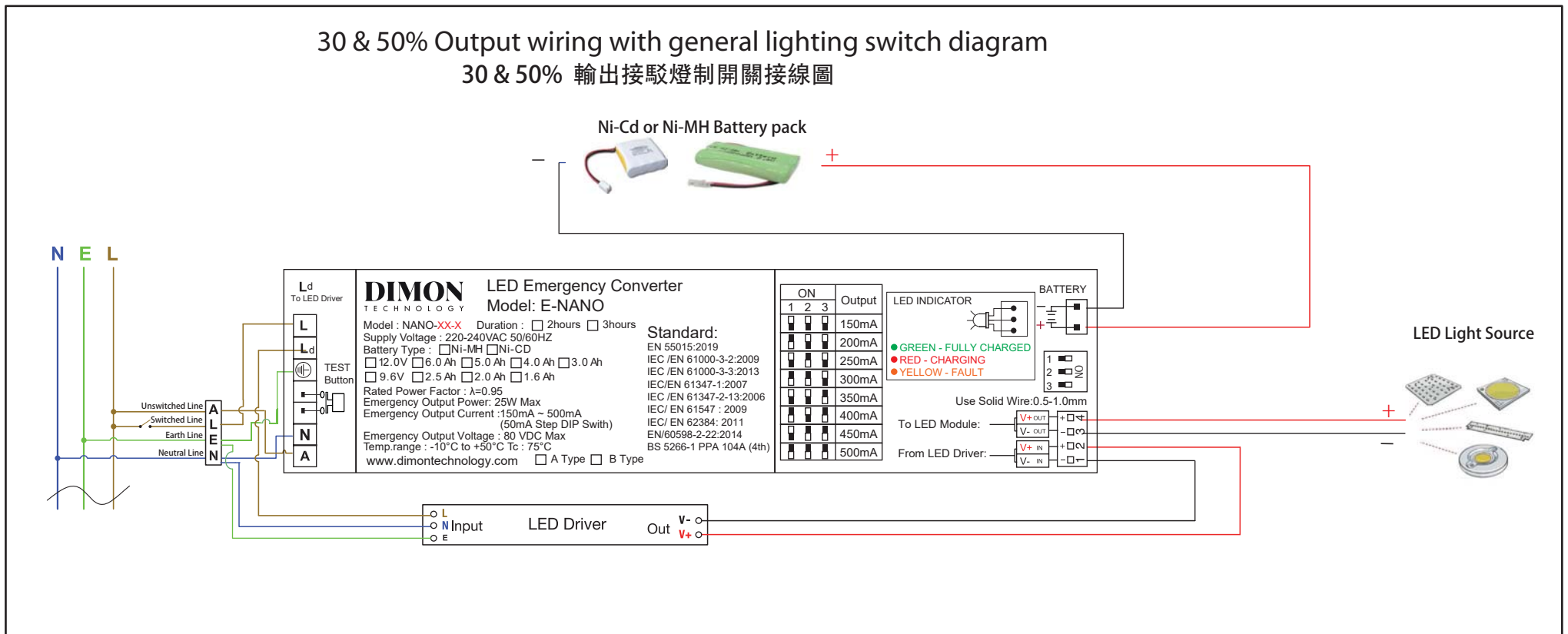
Product Specification - 3Hours Battery Back Up					
Emergency Power Pack Model 應急電池系統型號	NANO-5-3	NANO-7-3	NANO-11-3	NANO-14-3	NANO-18-3
Emergency Kit Model No (IP20 Metal Box) 應急系統型號(IP20金屬盒)	NANO-K-5-3	NANO-K-7-3	NANO-K-11-3	NANO-K-14-3	NANO-K-18-3
IP66 Emergency Kit Model No (IP66 Die-casted Aluminum Box) IP66 應急系統型號(IP66 防水壓鑄鋁盒)	NANO-KWP-5-3	NANO-KWP-7-3	NANO-KWP-11-3	NANO-KWP-14-3	NANO-KWP-18-3
Converter Model: 應急轉換器型號:	E-NANO				
Battery Duration應急時間	3 hours	3 hours	3 hours	3 hours	3 hours
LED Luminaire AC Power Max LED燈具最大功率	80W Max AC Power 最大80W AC功率				
Emergency Max Output Power 應急輸出最大功率	5W	7W	11W	14W	18W
Emergency Output % 應急輸出	(5W/ AC POWER/0.8) %	(7W/ AC POWER / 0.8) %	(11W/ AC POWER / 0.8) %	(14W/ AC POWER/ 0.8) %	(18W/ AC POWER/0.8) %
Battery Capacity電池容量	12V 2.0 AH	12V 2.5 AH	12V 4.0H	12V 5.0AH	12V 6.0 AH
Emergency output Voltage 應急輸出電壓範圍	DC18V to 60V Automatic Adjustment DC18V to 60自動調整				
Emergency output Current 應急輸出電流範圍	Smart dip switch constant current output adjustable from 150mA to 500mA - 50mA Step DIP開關調整，每級電流調整50mA				
LED Driver Input Max Output Voltage 外接驅動輸出最大電壓	< 80V DC Max 最大電壓 80V DC				
LED Driver Output Max Input Voltage 外接驅動輸出最大電流	< 1.8A DC max 最大電流1.8A				
Remote Box Size and Ingress Protection 電池盒尺寸(毫米)和防護級別	IP20 Metal Box -L: 370 x W: 95 x H: 55 mm or -L: 390 x W: 125 x H: 60 mm or -L: 370 x W: 205 x H: 45 mm IP66 Waterproof Die-casted Aluminum Box IP66 : -L: 250 x W: 80x H: 64mm for <8W / L:250x W: 80xH: 80 for <16W / L:280xW:230xH:110 for <25W				
Input Voltage / 輸入電壓	220-240VAC 50 / 60 Hz 交流電 220 - 240 伏特 +/-6%, 50/60 赫茲				
Battery Type 電池類型	Ni -MH for Standad or Ni-Cd battery is available upon request 標準鎳氫電池，鎳鎘電池可應要求提供				
Luminaires Type 照明方式	Maintained / Non Maintained Type 長明式 / 後備式				
Battery Recharge Duration 電池充電時間	Less than 12 hours 12小時				
Class of Insulation 絕緣等級	Class one Earthing 一級				
Ambient Temperature Range 環境溫度範圍	-10 to +50°C				
Protection 保護	SHORT CIRCUIT / OVER VOLTAGE 短路/電壓過高				
Compliance 符合標準	BS EN 60598-2-22, BS EN 61347-2-7, BS 5266-1, FSD PPA 104A (4th Revision)				

E-NANO

30% & 50% Output LED Emergency Power Pack - Converter for LED Lighting with LED Driver

30 & 50% Output wiring with general lighting switch diagram

30 & 50% 輸出接駁燈制開關接線圖



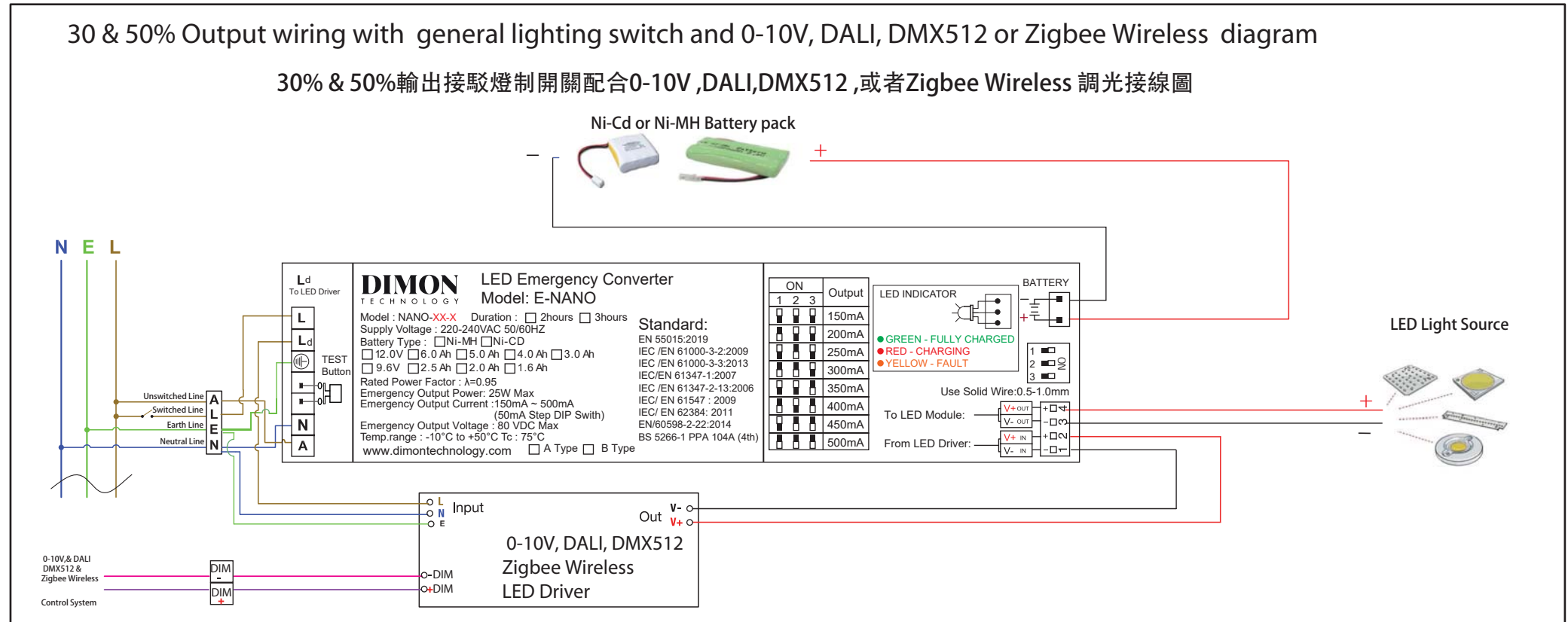
E-NANO

30% & 50% Output LED Emergency Power Pack - Converter for LED Lighting with LED Driver

30 & 50% Output wiring with general lighting switch and 0-10V, DALI, DMX512 or Zigbee Wireless diagram

30% & 50%輸出接駁燈制開關配合0-10V ,DALI,DMX512 ,或者Zigbee Wireless 調光接線圖

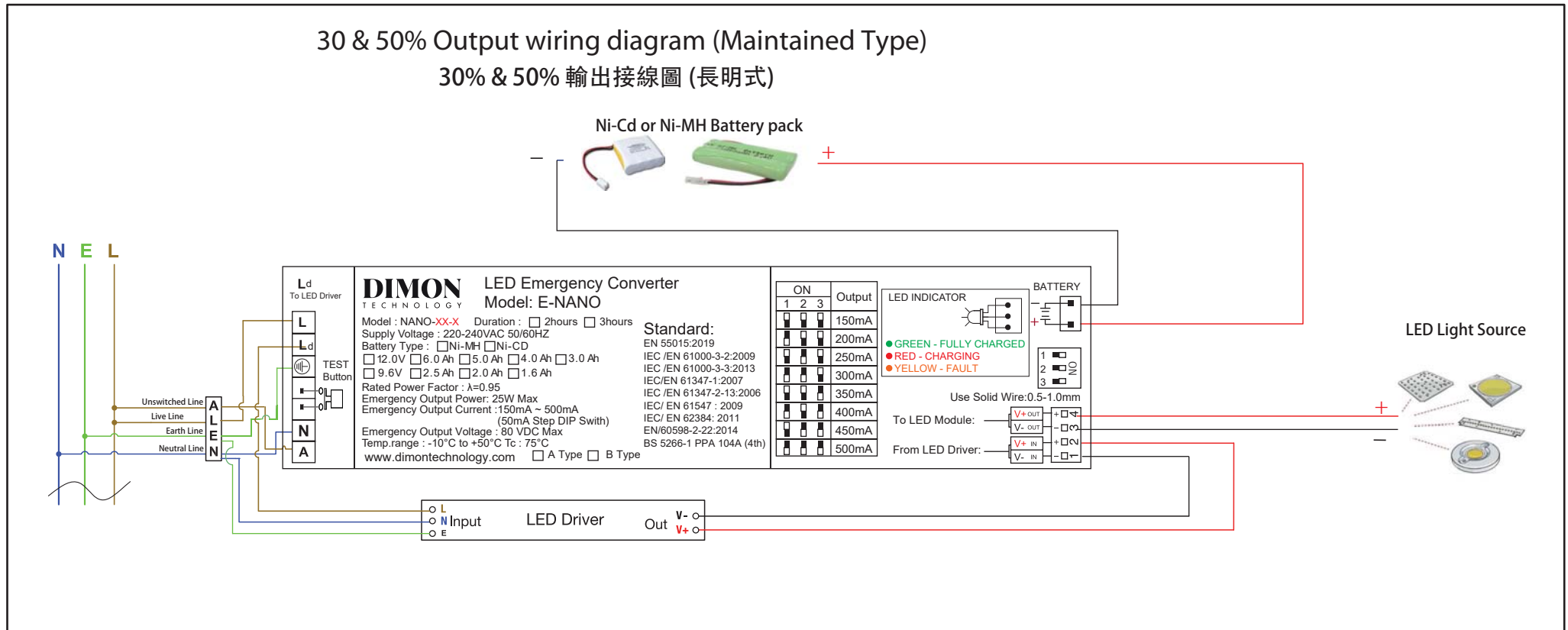
Ni-Cd or Ni-MH Battery pack



E-NANO

30% & 50% Output LED Emergency Power Pack - Converter for LED Lighting with LED Driver

30 & 50% Output wiring diagram (Maintained Type) 30% & 50% 輸出接線圖 (長明式)



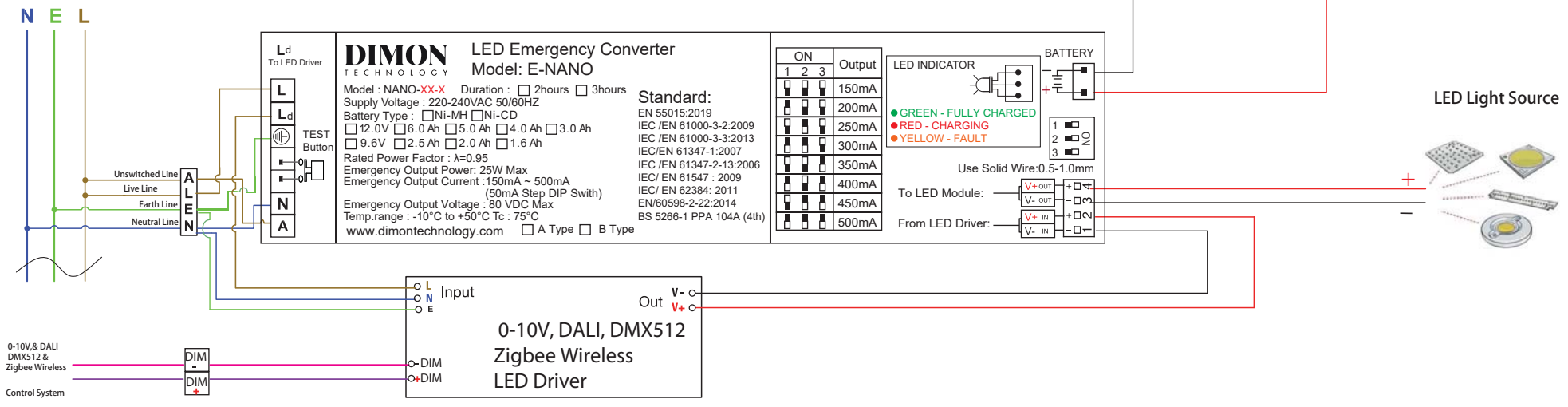
E-NANO

30% & 50% Output LED Emergency Power Pack - Converter for LED Lighting with LED Driver

30 & 50% Output wiring for 0-10V, DALI, DMX512 or Zigbee Wireless dimming diagram (Maintained Type)

30% & 50%輸出接駁0-10V ,DALI,DMX512 ,或者Zigbee Wireless 調光接線圖(長明式)

Ni-Cd or Ni-MH Battery pack



E-NANO

30% & 50% Output LED Emergency Power Pack - Converter for LED Lighting with LED Driver

30 & 50% Output wiring diagram (Non-Maintained Type) 30% & 50% 輸出接線圖 (後備式)

