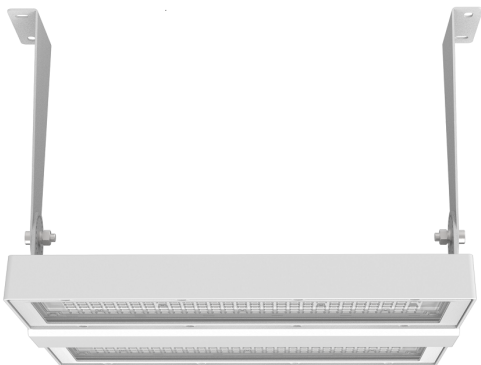


HABEE H

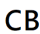



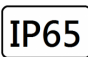
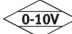


UGR17 300W Max IP65

CB



- Multiple power rate 150W and 300W optional
- Three beam angles optional
- Up to 200lm/w optional
- Multiple control: ON/OFF, DALI-2 DT 6, Zigbee 3.0
- Emergency supply optional
- Microwave motion sensor, PIR sensor, constant illumination sensor optional
- Multiple Mounting Options: ceiling / wall / suspension

Technical Data

| | | | | |
|--|---|--|-----------------|-----------------|
| Installation method 安裝方式 Metodo de instalacion | Loop or Bracket mounting 環形或支架安裝 Montaje en bucle o soporte | | | |
| Power Consumption with LED Driver LED燈具包括LED驅動電源功率 Consumo de energía con controlador de LED | 120W | 130W | 140W | 150W |
| | 200W | 240W | 260W | 280W 300W |
| Input Voltage / 輸入電壓 Voltaje de entrada | 220-240VAC/50-60HZ | | | |
| Control Protocol/控制協議/Protocolo de Control | SW: ON/OFF Switch Driver DA: DALI Dimming Driver MS: Motion Sensor | AN: 1-10V Dimming Driver ZI: ZIGBEE Wireless Control DS: Daylight Sensor | | |
| Power Factor / 功率因數/Factor de potencia | PF>0.95 | | | |
| Total Harmonic Distortion/總諧波失/Distorsión armónica total | THD<15 | | | |
| Protection Against Surgers/防護措施/PROTECCIÓN CONTRA LAS PROMOCIONES: | 4kV Line-Line, 4kV Line-Earth | | | |
| Light Source Brand-光源品牌-Fuente de luz de marca | CREE or Nichia LED | | | |
| "Lumen Maintenance LM-80 Reported by TM-21" | L70 > 54,000 Hours | | | |
| LED Life-LED壽命-La vida del LED | >100,000 hours | | | |
| Color Temperature 色溫 Temperatura y color | 3000K 4000K 5000K 6500K | | | |
| Color Rendering Index-顯色指數 Índice de reproducción cromática | 70 : CRI>70 80 : CRI>80 | | | |
| MacAdam Ellipses Binning 麥克亞當橢圓分級 Mac Adam binning elipse | Standard Deviation Colour Matching < 3 SDCM 標準偏差配色 < 3 SDCM Coincidencia de color estándar Desviación < 3 SDCM | | | |
| UGR level | 17 | | | |
| Beam Angle光束角ángulo de haz | 80° 110° 40X60° | | | |
| Luminaire Efficacy燈具效率 La eficacia de la luminaria | CRI:80 130 Lm/w(3000K) | 140 Lm/w(4000K) | 150 Lm/w(5000K) | 150 Lm/w(6500K) |
| | CRI:70 150 Lm/w(3000K) | 160 Lm/w(4000K) | 170 Lm/w(5000K) | 170 Lm/w(6500K) |
| LED Source Luminous Efficacy LED光源光效 Fuente luminosa LED Eficacia | CRI:80 160 Lm/w(3000K) | 170 Lm/w(4000K) | 180 Lm/w(5000K) | 180 Lm/w(6500K) |
| | CRI:70 180 Lm/w(3000K) | 190 Lm/w(4000K) | 200 Lm/w(5000K) | 200 Lm/w(6500K) |
| Housing materials外殼材料 Materiales de la carcasa | Die-cast aluminium and Polycarbonate Lens or Tempering glass (customized) 壓鑄鋁和聚碳酸酯鏡片或鋼化玻璃(定制) Aluminio fundido a presión y lente de policarbonato o vidrio templado (personalizado) | | | |
| Housing Color外殼顏色color de la carcasa | Matte White 啞光白色 Blanca mate Matte Black 啞光黑色 Negro mate (customized) | | | |
| Ingress Protection-防護等級 Protección de ingreso | IP65 - (IEC 60529) | | | |
| Operating Temperature Range / 工作溫度範圍 Rango de temperatura de funcionamiento | -20 °C / +50 °C | | | |
| Mech impact protection機械衝擊保護 Protección contra impactos mecánico | IK08 | | | |
| Storage Temperature/儲藏溫度 Temperatura de almacenamiento | -40 °C / +70 °C | | | |
| Operating Humidity -工作濕度Humedad de funcionamiento | 0~90%, non-condensing-不結霜sin condensación | | | |
| Product Dimension / 產品尺寸 Dimensión del producto | 454X354X55mm | | | |
| Luminaire Net Weight (±0.3kg) 燈具淨重 (±0.3kg) Peso neto de la luminaria (±0,3 kg) | 5.5 kg @ 120W-150W 5.8 kg @ 240-300W | | | |
| Certificate Standard Complied 符合安規標準 estándar certificado de cumplimiento | LED Luminaries: IEC 60598-1:2017 ; IEC 60598-2-1:1987; IEC TR 62778:2014 (RG1); IEC 62031:2014(LED Modul); IEC 61058-2000 (Sensor); ROHS LED Driver: IEC/EN 61347-1; IEC/EN 61347-2-13; IEC/EN 61347-2-13; EN 55015; EN 61000-3-2;EN 61000-3-3; EN 61547;EN 62384 | | | |
| Certification-認證-Certificación |         | | | |

| | | |
|---------|----------|------|
| Project | Fixture# | Date |
| | | Firm |

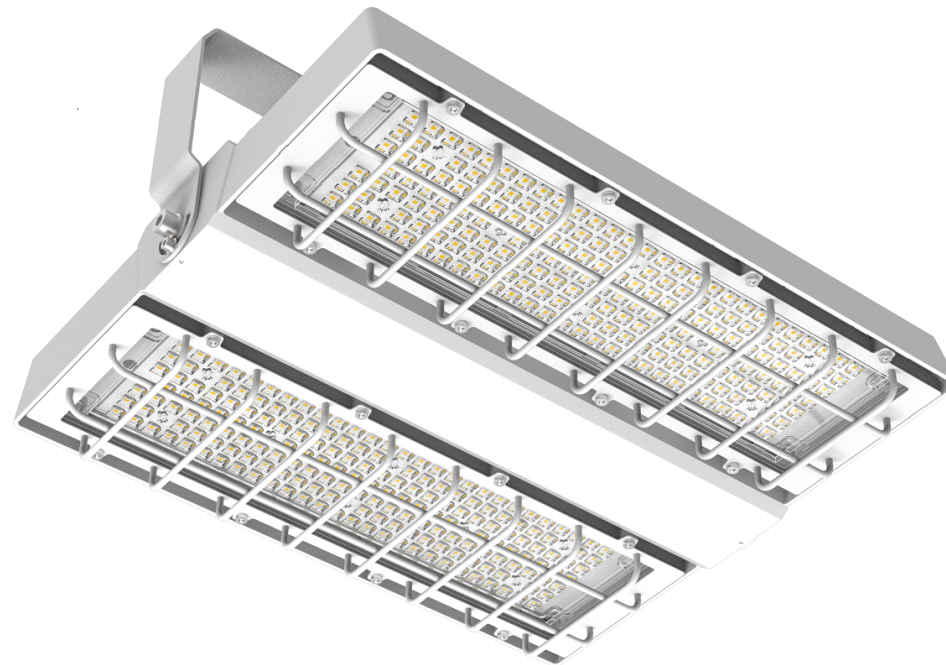
Ordering Information

Choose the option that suits your need and write its corresponding code on the appropriate line to form the product code.

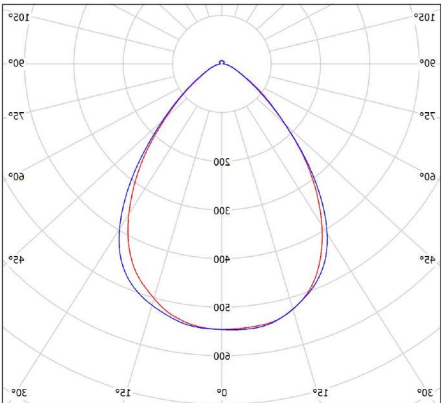
Example product code: [HABEE-150W](#)

HABEE - - _____
POWER CONSUMPTION

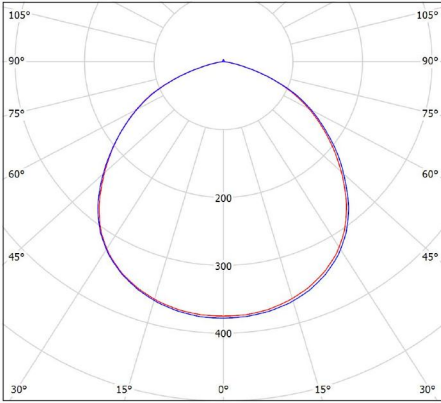
| POWER CONSUMPTION | |
|----------------------|-------------|
| Code | Description |
| 120W | 120W |
| 130W | 130W |
| 140W | 140W |
| 150W | 150W |
| 200W | 200W |
| 240W | 240W |
| 260W | 260W |
| 280W | 280W |
| 300W | 300W |



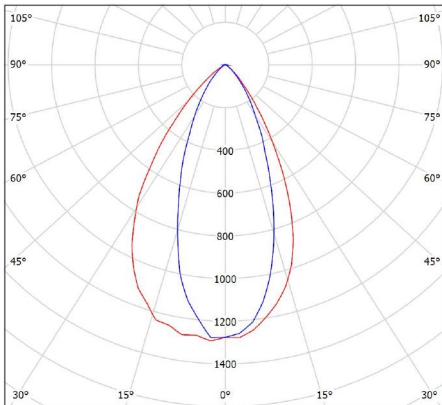
BEAM ANGLE



D80°

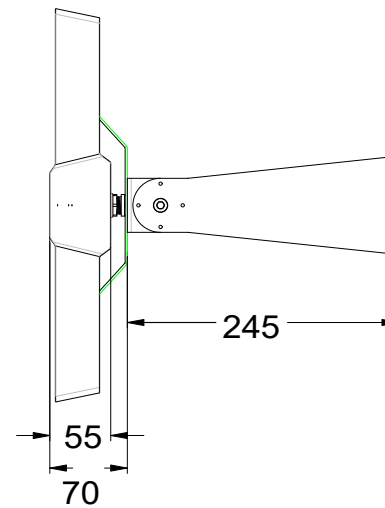
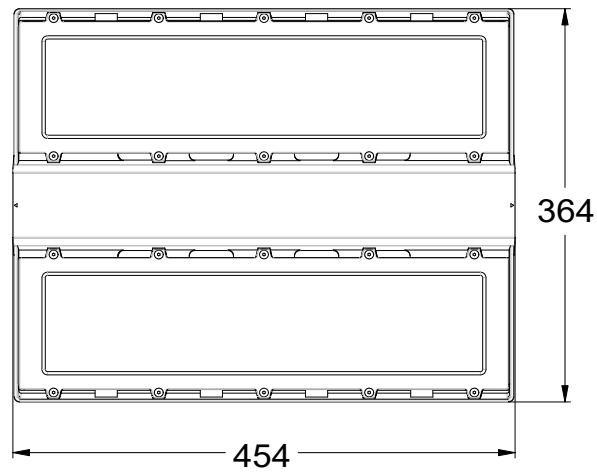
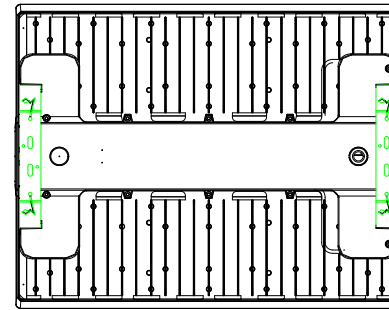
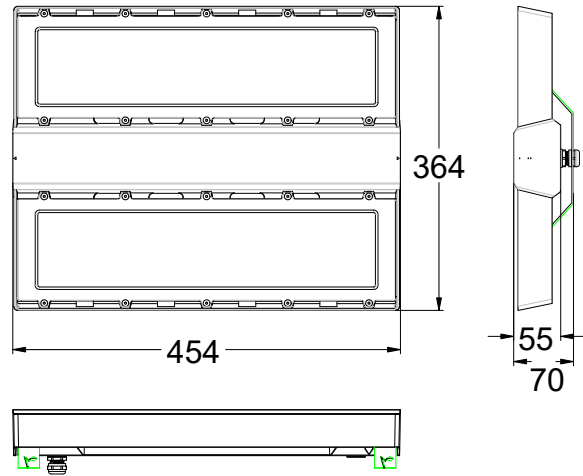


D110°



D40x60°

Technical Drawing



UUnit: mm

Accessories



Microwave motion sensor
120-277Vac input,
IP65,max detect height
is 15m.



Zigbee wireless controller
1pcs for each luminaire

Zigbee gateway
1pcs can control 200pcs
luminaire



**Zigbee controller with
Microwave motion
sensor**
6-12Vdc input.



**Zigbee controller with
Microwave motion
sensor & daylight
sensor**
6-12Vdc input



Emergency Supply



Steel Wire Rope
SUS304 material



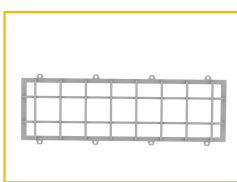
±90° rotatable bracket
SPCC material



Stainless Steel Chain
SUS304



Shading cover
Aluminium alloy



Protect net
Steel / SUS304



Cellular network
Aluminium alloy



Safety wire
SUS304