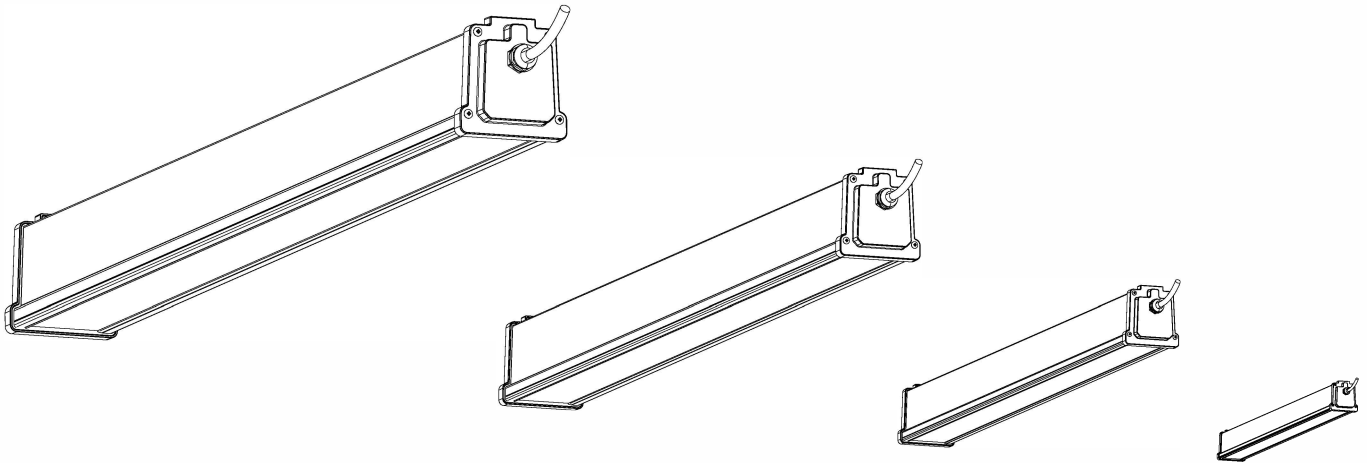
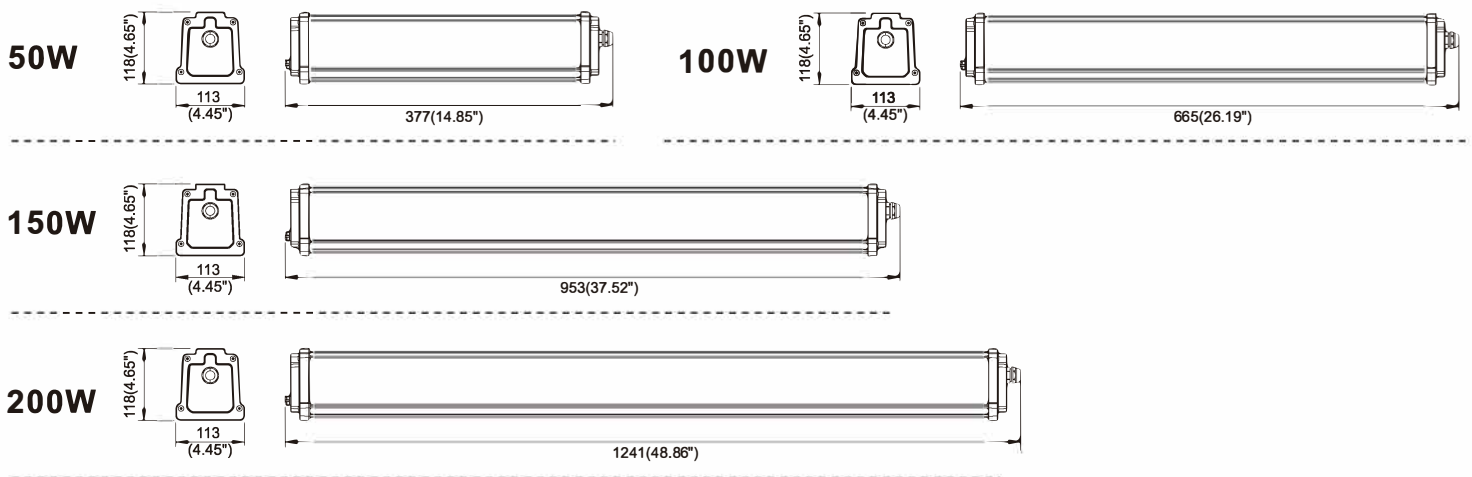


LED Linear High Bay

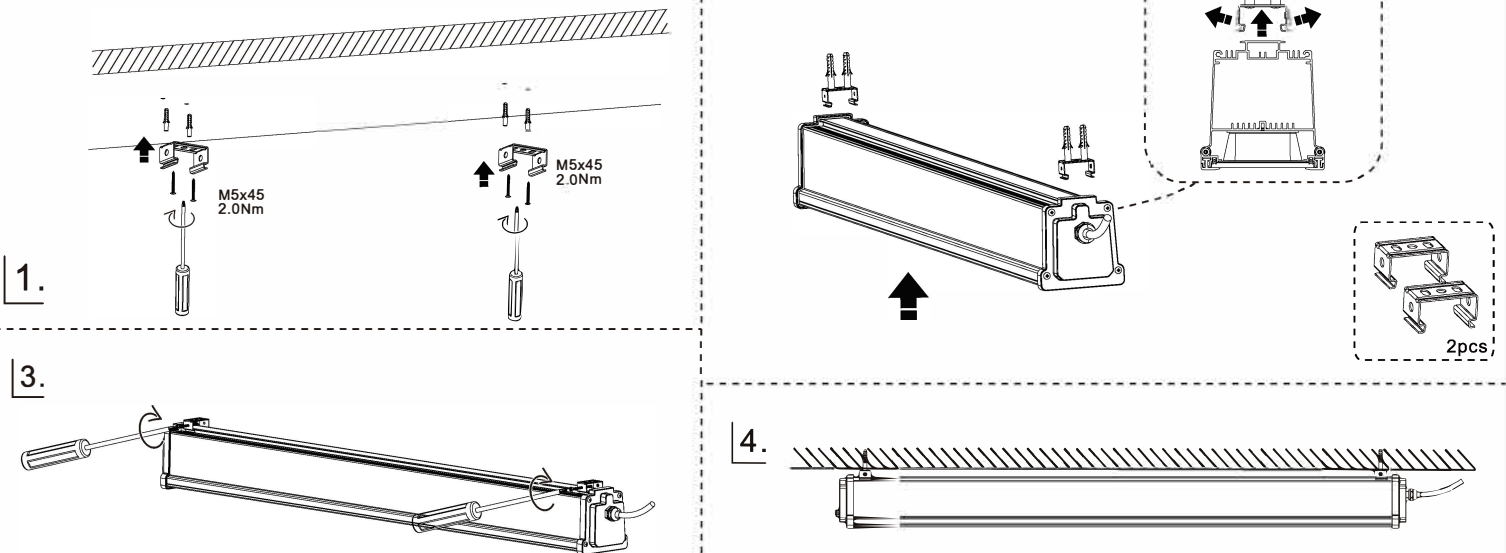
Instruction Manual



Physical Dimensions(mm/inch)

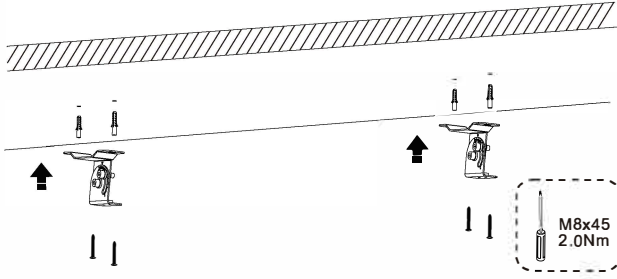


A. Ceiling mounting



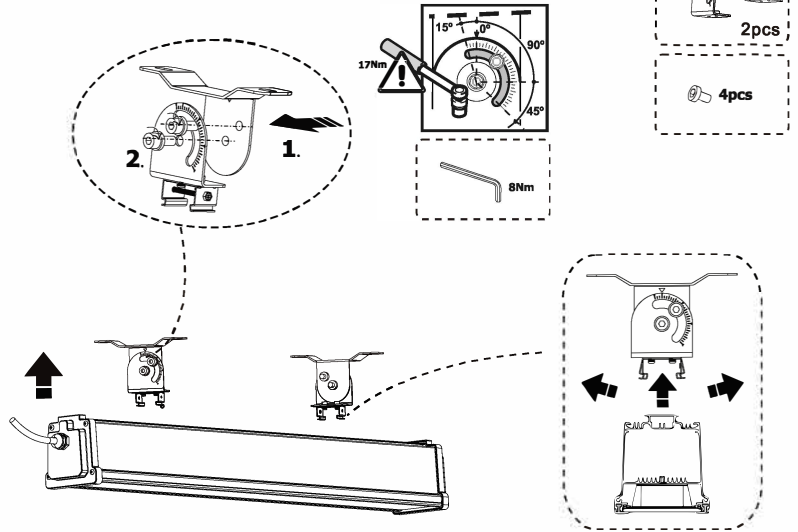
LED Linear High Bay

B. Adjustable angle mounting

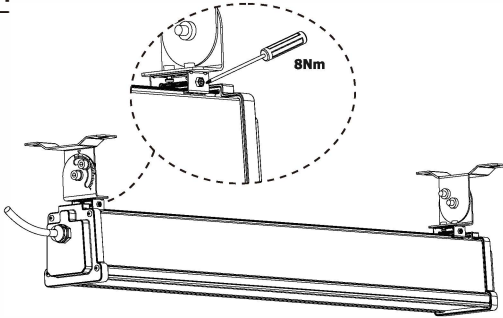


1.

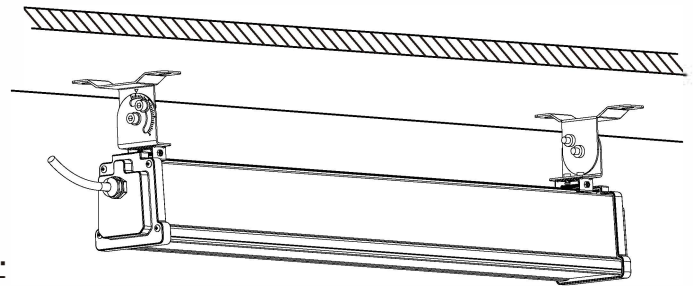
2.



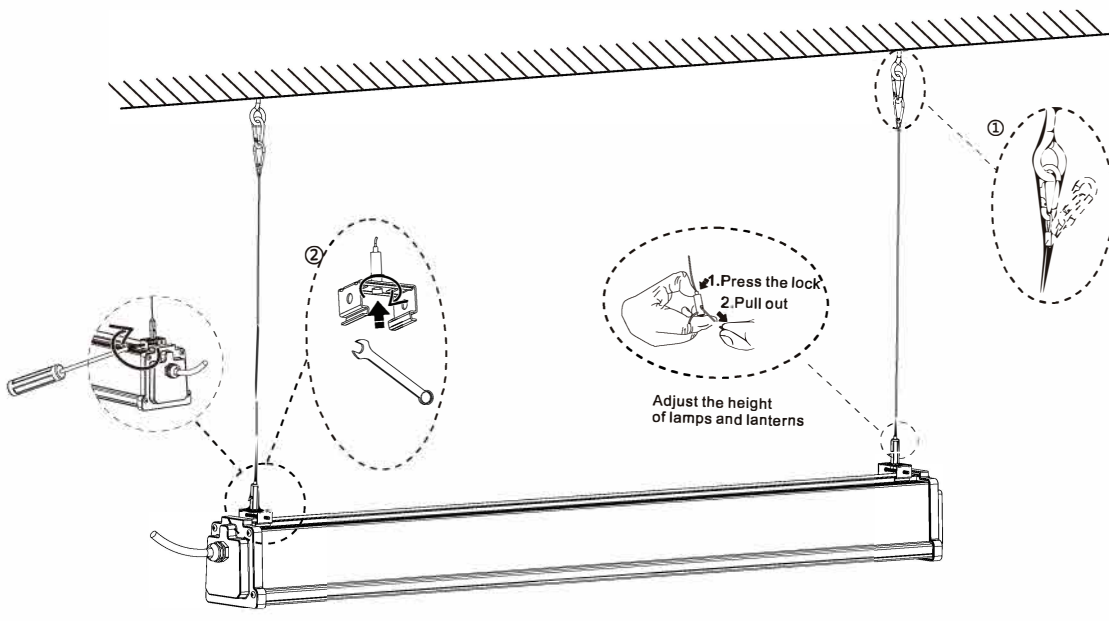
3.



4.



C. Suspension mounting



•if the external flexible cable or cord of this luminaire is damaged, it shall be exclusively replaced by the manufacturer or his service agent or a similar qualified person in order to avoid a hazard.