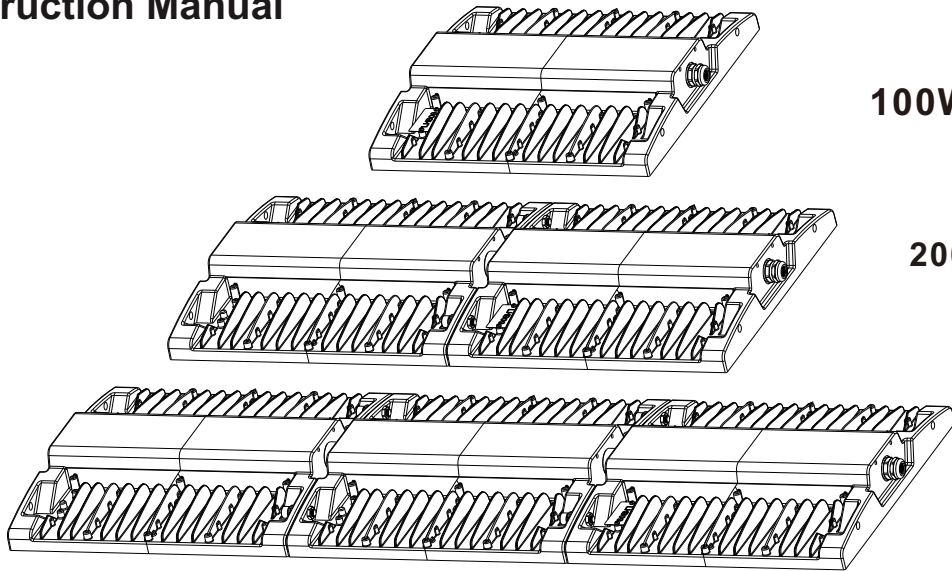


LED Linear High Bay Light

Instruction Manual



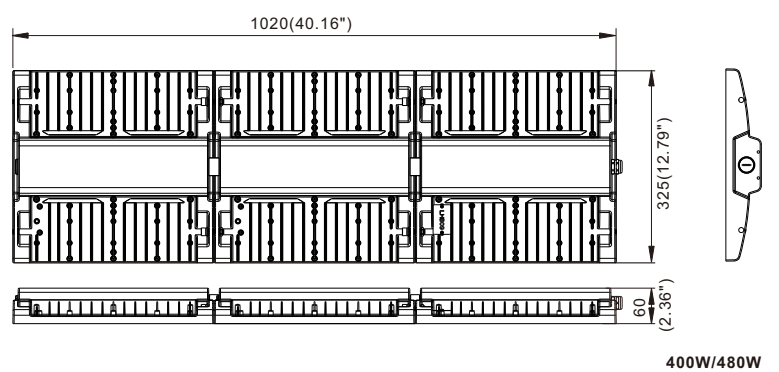
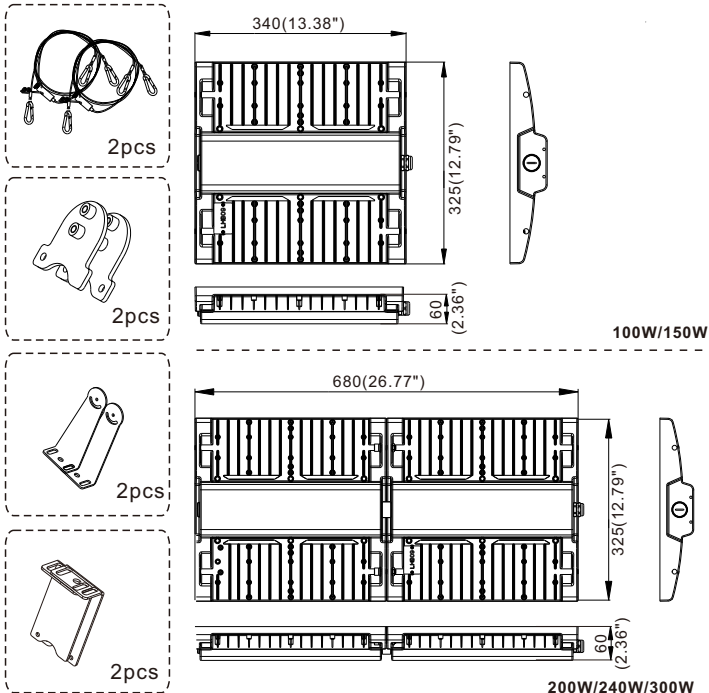
100W/150W

200W/240W/300W

400W/480W

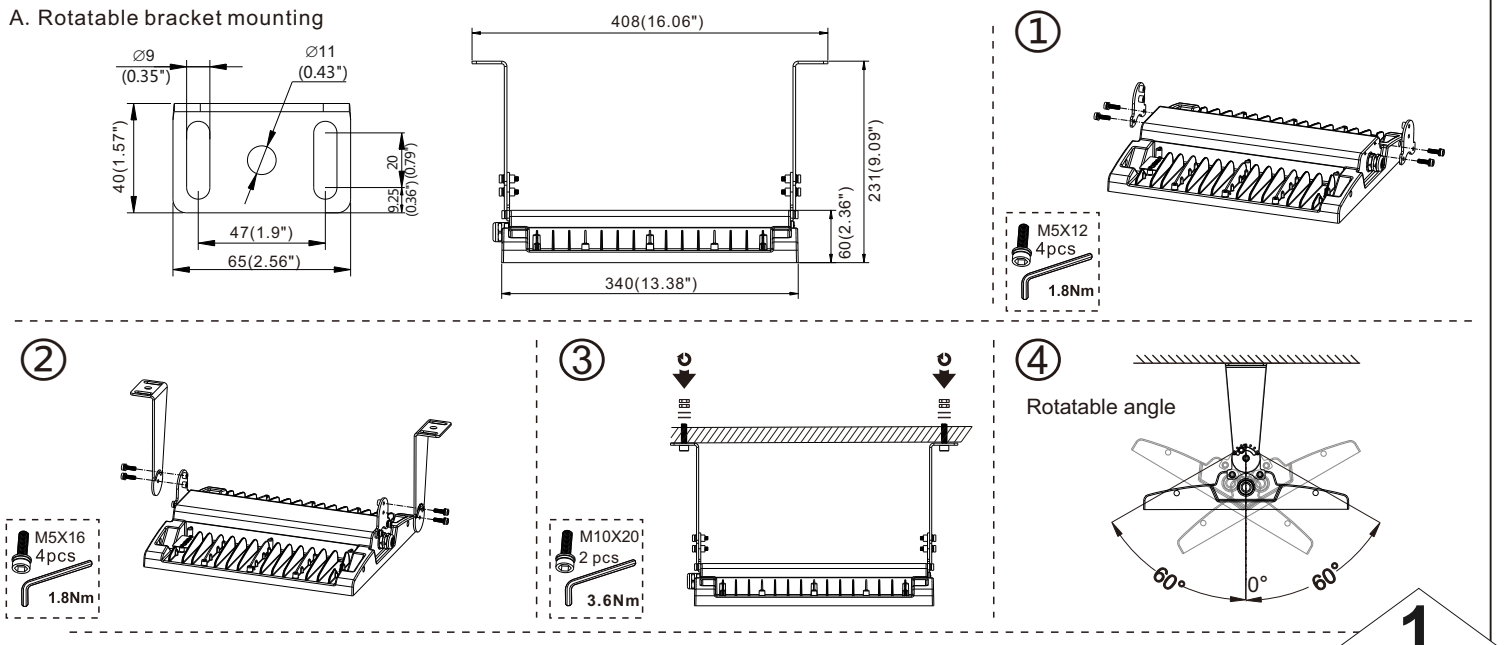


Physical Dimensions (Unit: mm)



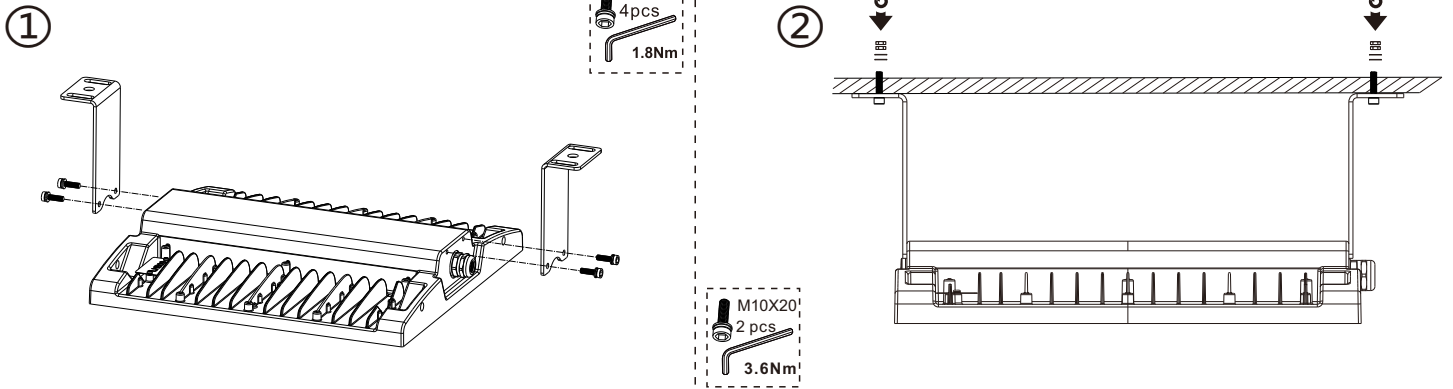
Product Specifications	100W	150W	200W	240W	300W	400W	480W
Size (L x W x H)	340X325X60mm (13.38"x12.79"x2.36")		680x325x60mm (26.77"x12.79"x2.36")			1020x325x60mm (40.16"x12.79"x2.36")	
Weight (Driver included)	3.5±0.3kg (7.71±0.66Lbs)	3.7±0.3kg (8.16±0.66Lbs)	6.7±0.3kg (14.76±0.66Lbs)	6.8±0.3kg (14.98±0.66Lbs)	7.8±0.3kg (17.16±0.66Lbs)	10.8±0.3kg (23.65±0.66Lbs)	11.1±0.3kg (24.42±0.66Lbs)
Input Voltage	220-240VAC						
Working Temperature	-30°C to +50°C (-22°F to +122°F)						
Storing Temperature	-40°C to +70°C (-40°F to +158°F)						

A. Rotatable bracket mounting

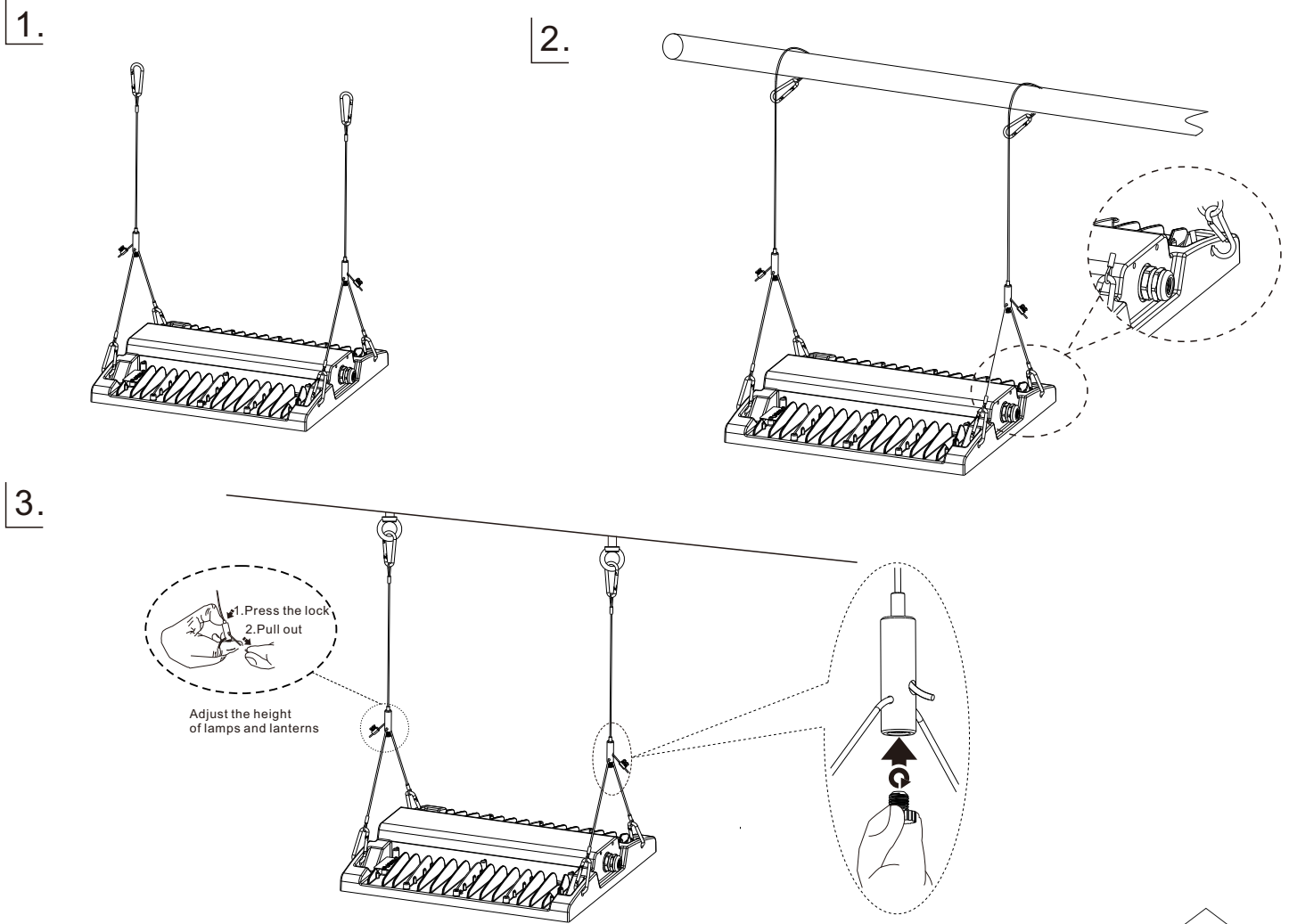


LED Linear High Bay Light

B. Bracket mounting



C. Suspension mounting



2

L	brown	black
N	blue	white
⊕ GND	yellow/green	green

Dimmable

DIM+ / DA1	blue	brown	purple	white
DIM- / DA2	white	blue	gray	black

•if the external flexible cable or cord of this luminaire is damaged, it shall be exclusively replaced by the manufacturer or his service agent or a similar qualified person in order to avoid a hazard.

3