

Fixture Type: LED LINEAR LIGHT--LASHA RECESSED TYPE

① Make a notch and drill four holes in the ceiling according to the dimension of aperture.

Make a notch in the board ceiling

Drill four holes in the board ceiling

⑥ Install the housing

② Fix up the mounting brackets in the ceiling with the M4x30 bolt.

mounting bracket

④ Cover the screw with calcareousness

③ A: Follow these steps to install the mounting bracket.

Flap gasket

Screw stator

⑤ Change the LED LIGHT (PMMA)

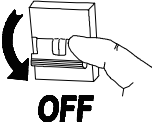
④ Connect the power cord

Install dimension table:

Fixture Type	Aperture (L1xL2)	Aperture (L3xL4xL5)
Recessed	3383x68mm	3240x1620x142
	3103x68mm	2960x1480*142
	2823x68mm	2680x1340*142
	2543x68mm	2400x1200x142
	2263x68mm	2120x142
	1983x68mm	1840x142
	1703x68mm	1560x142
	1423x68mm	1280x142
	1143x68mm	1000x142
	863x68mm	720x142
	583x68mm	440x142
	303x68mm	160x142

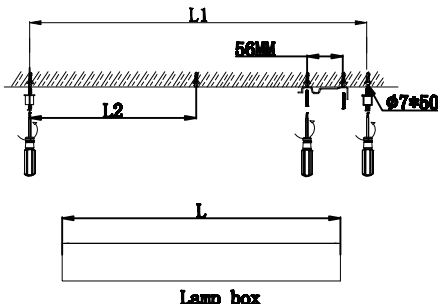
Fixture Type: LED LINEAR LIGHT--LASHA PENDANT TYPE

1



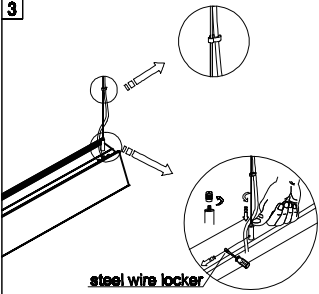
OFF

2 Installation mode: cement/board/smallpox



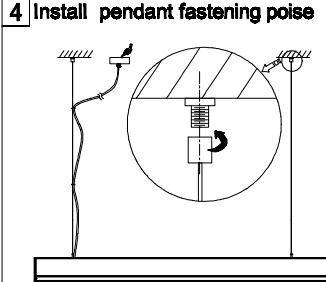
Lamp box

3

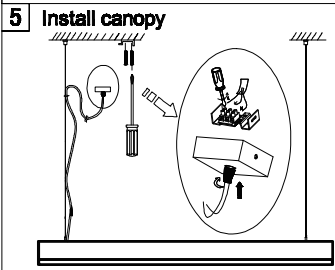


steel wire locker

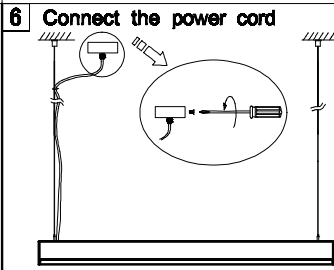
4 Install pendant fastening poise



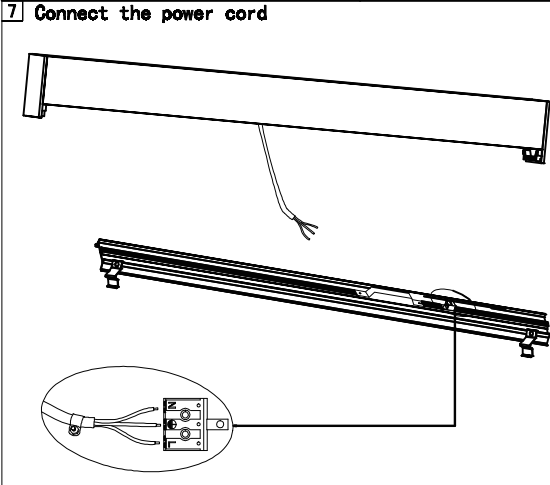
5 Install canopy




6 Connect the power cord



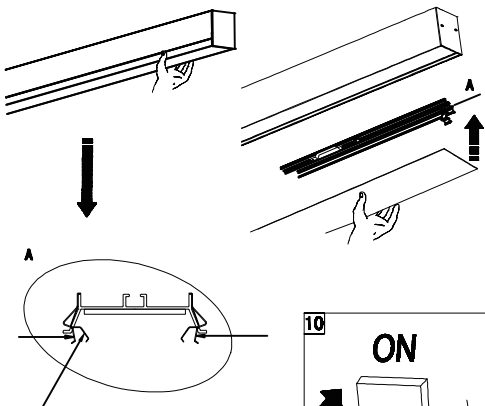
7 Connect the power cord



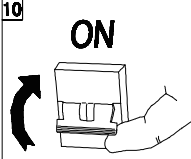
8 Sketch



9



10



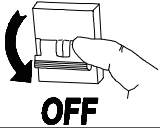
ON

Type	L/mm	L1/mm	L2/mm
Pendant	3375	3240	1620
	3095	2960	1480
	2815	2680	1340
	2535	2400	1200
	2255	2120	
	1975	1840	
	1695	1560	
	1415	1280	
	1135	1000	
	995	860	
	855	720	
	715	580	
	575	440	
435	300		
295	160		

*For more details, refer to the LASHA data sheet.

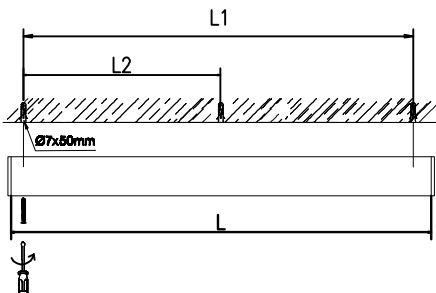
Fixture Type: LED LINEAR LIGHT--LASHA CEILING TYPE

1



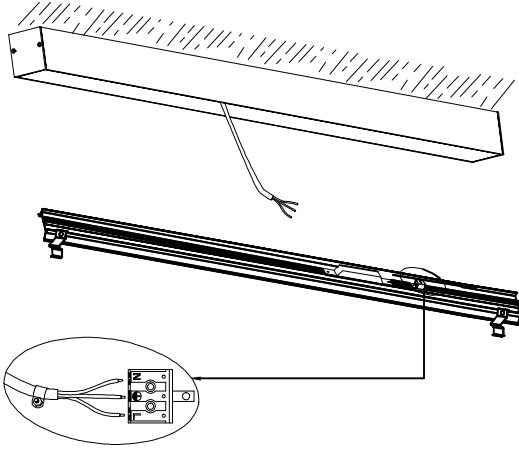
OFF

2 Installation mode: cement/board/smallpox

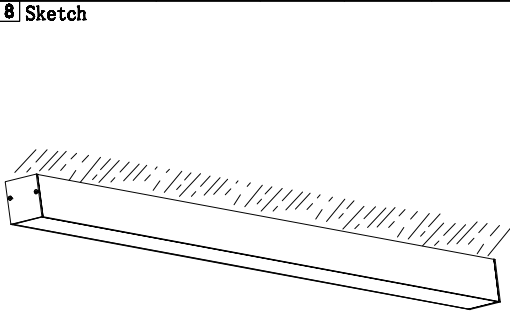


Type	L/mm	L1/mm	L2/mm
Ceiling	3375	3240	1620
	3095	2960	1480
	2815	2680	1340
	2535	2400	1200
	2255	2120	
	1975	1840	
	1695	1560	
	1415	1280	
	1135	1000	
	995	860	
	855	720	
	715	580	
	575	440	
435	300		
295	160		

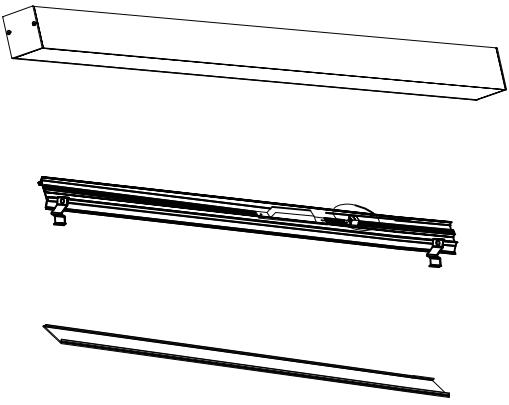
3 Connect the power cord



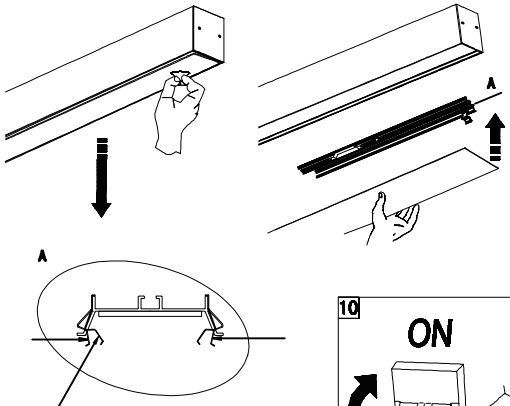
8 Sketch



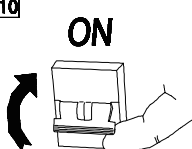
7 In order to complete installation plate, PMMA



9



10



ON