
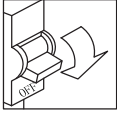
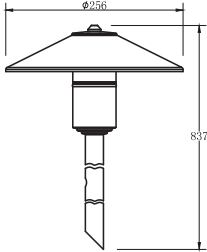
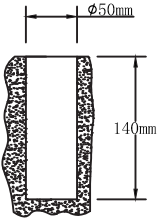
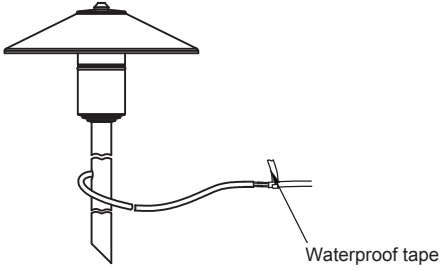
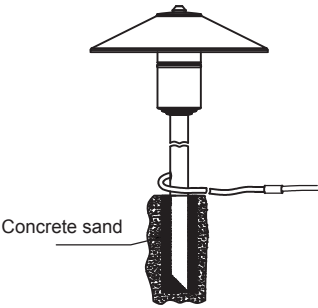
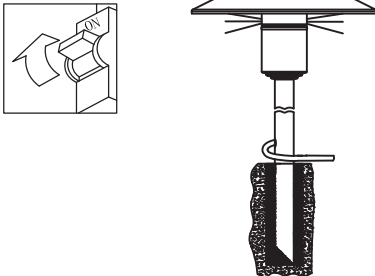


Fixture Type: LED Lawn Light LARE Series

  <p>Please read the instruction manual before installation. Please turn off the power supply before installation. Avoid using wet cloth to clean the lamp. Operated by professional personnel.</p>	<p>Production Dimension</p> 
<p>①</p>  <p>Dig a pit with Dia.50mm and Depth of 140mm in the place for pre-installed fixture.</p>	<p>②</p>  <p>Waterproof tape</p> <p>Connect the power cable separately in accordance with Positive and Negative, and wrapped with waterproof tape respectively, finally use the waterproof tape to wrap and tighten two cables together, to prevent water in.</p>
<p>③</p>  <p>Concrete sand</p> <p>Insert the lawn light into pre-installed pit, fix the lamppost by concrete sand.</p>	<p>④</p>  <p>Turn the power on to test the installation, wiring and lights up.</p>

*For more details, refer to the LARE data sheet