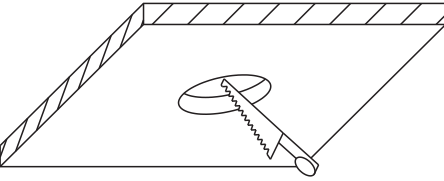
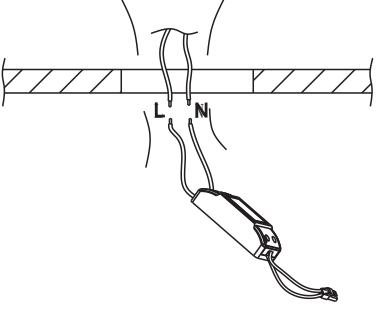
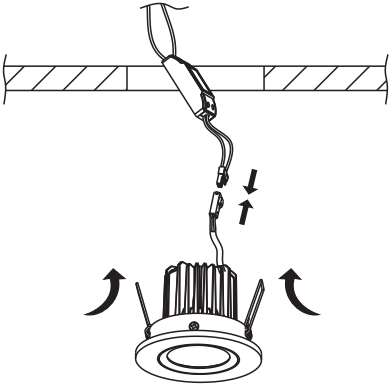
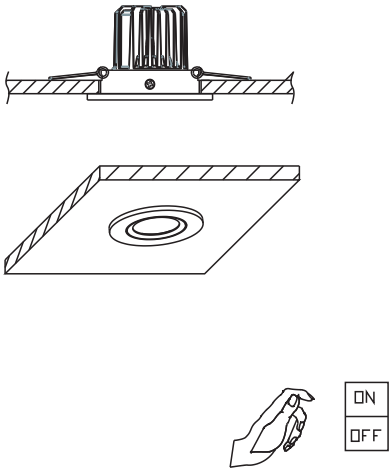


Recessed LED Down Light Installation Manual

<p>Step1 ⚡ Please make sure that mains is disconnected before proceeding!</p> 	<p>Step2 ⚡ Please make sure that mains is disconnected before proceeding!</p> 
<p>Drill a suitable hole on the ceiling before the installation of light. Connect the main power to Driver (L&N) input terminal.</p>	
<p>Step3 ⚡ Please make sure that mains is disconnected before proceeding!</p> 	<p>Step4 ⚡ Please make sure that mains is disconnected before proceeding!</p> 
<p>Connect the light to Driver output terminal.</p>	<p>Push the light inside the hole to test the light.</p>