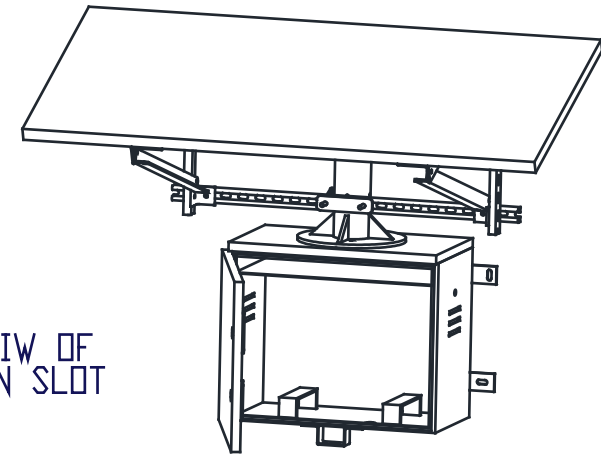


SECTION VIEW OF VENTILATION SLOT



Unit:mm

DIMON
TECHNOLOGY

UNLESS OTHERWISE SPECIFIED
DIMENSIONS ARE IN MILLIMETERS
TOLERANCES:
LIMITS X = ±0.45
 Z = ±0.40
 Y = ±0.40
 Z = ±0.40
 Y = ±0.40

FINISH

NIL

	NAME	SIGNATURE	DATE	MATERIAL
DRAWN				Stainless Steel SS316 IP54
CHECK'D				
APPROV'D				
MFG				
QA				

TITLE

Solar Panel Box

DWG NO.

\\[Date] Solar Panel Box

A4

SCALE: AS SHOWN

SHEET 1 OF 1