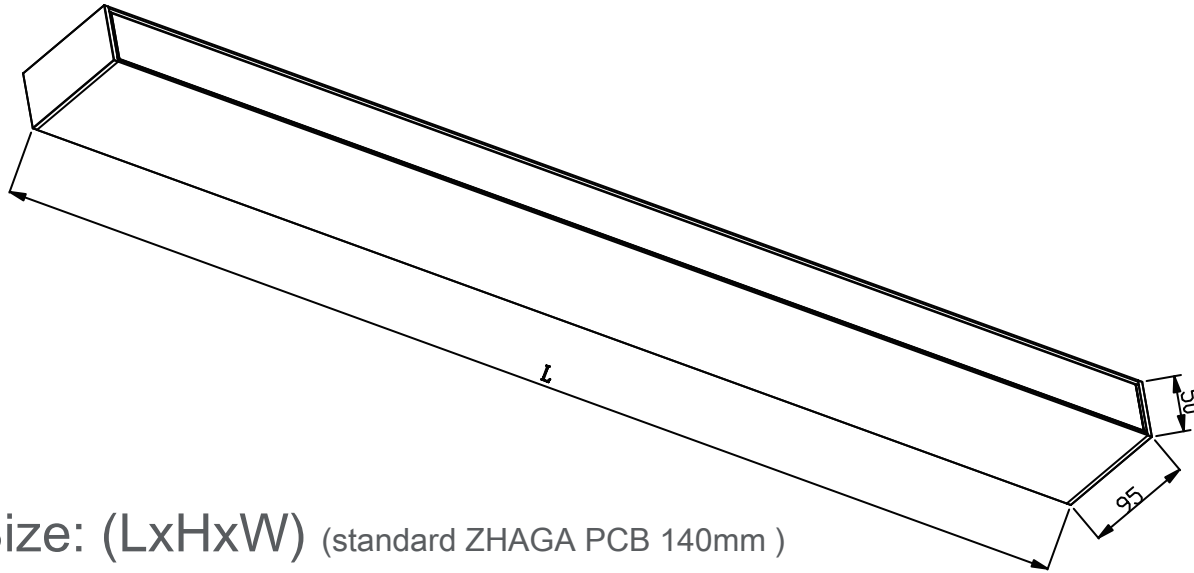


Technical Drawing



Size: (LxHxW) (standard ZHAGA PCB 140mm)

- L: 570 (140x4+10) x 95 x 50 mm
- L: 710 (140x5+10) x 95 x 50 mm
- L: 850 (140x6+10) x 95 x 50 mm
- L: 990 (140x7+10) x 95 x 50 mm
- L: 1130(140x8+10) x 95 x 50 mm
- L: 1270(140x9+10) x 95 x 50 mm
- L: 1410(140x10+10) x 95 x 50 mm
- L: 1550(140x11+10) x 95 x 50 mm
- L: 1690(140x12+10) x 95 x 50 mm
- L: 1830(140x13+10) x 95 x 50 mm
- L: 3080 x 95 x 50 mm

Unit: mm