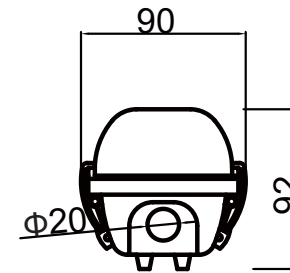
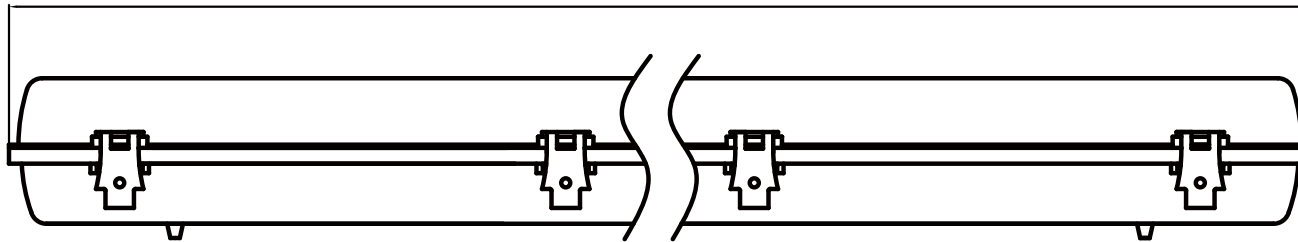


# Technical Drawing

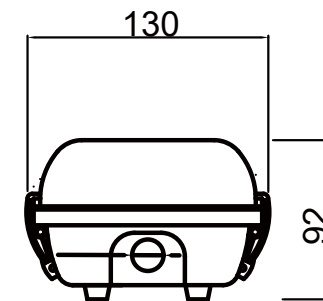
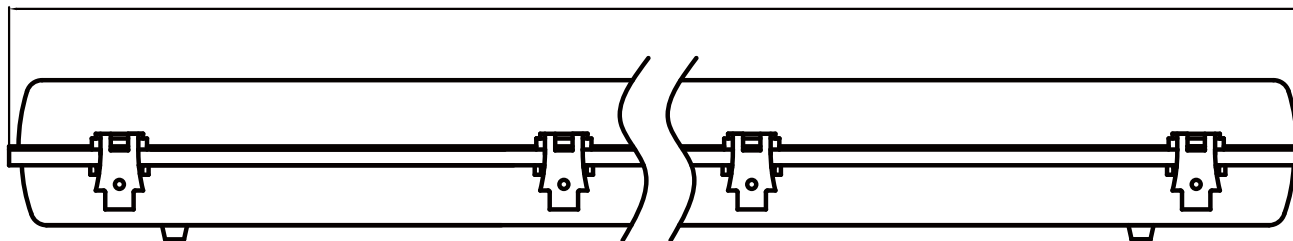
Single Type:

655 / 1265 / 1565



Twin Type:

655 / 1265 / 1565



Unit: mm