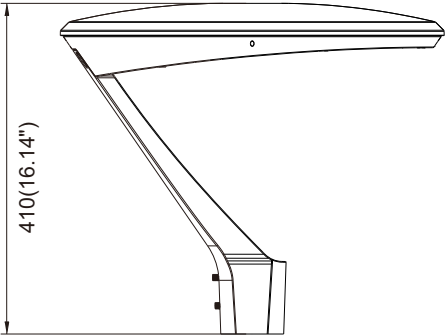
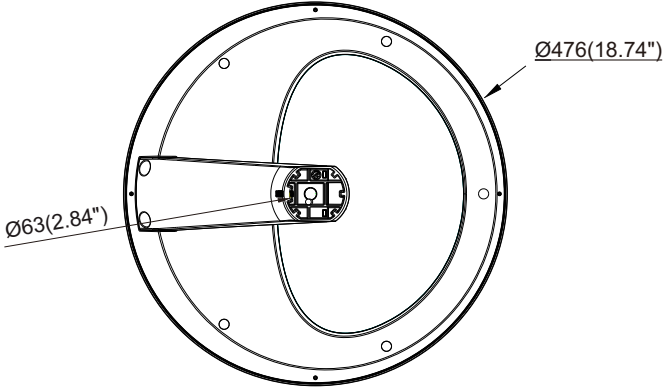


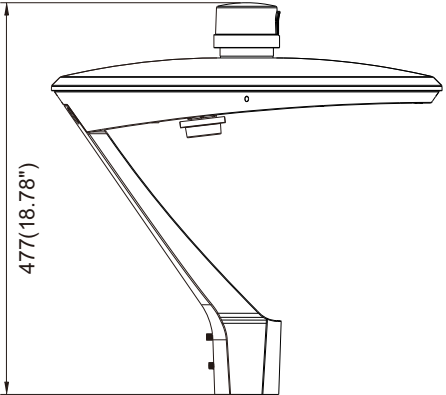
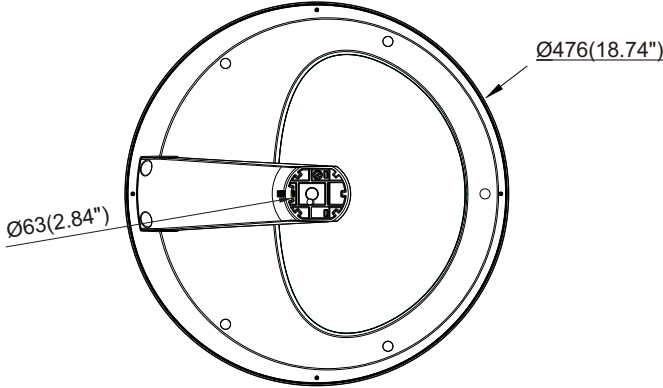
Technical Drawing

Physical Dimensions(Unit: mm/inch)

Normal Verson



Photocell Version



Unit: mm