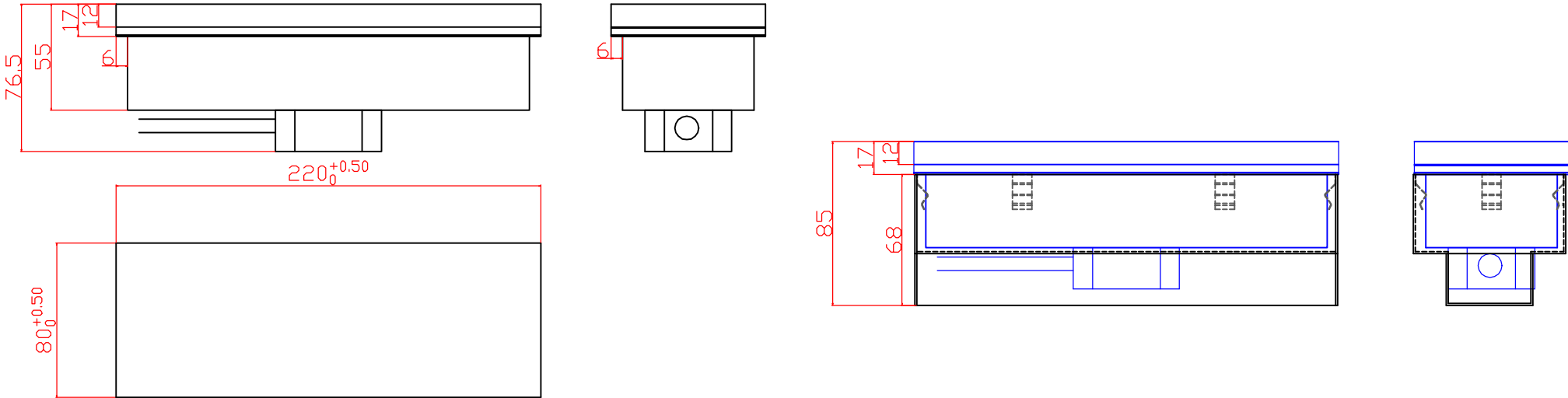
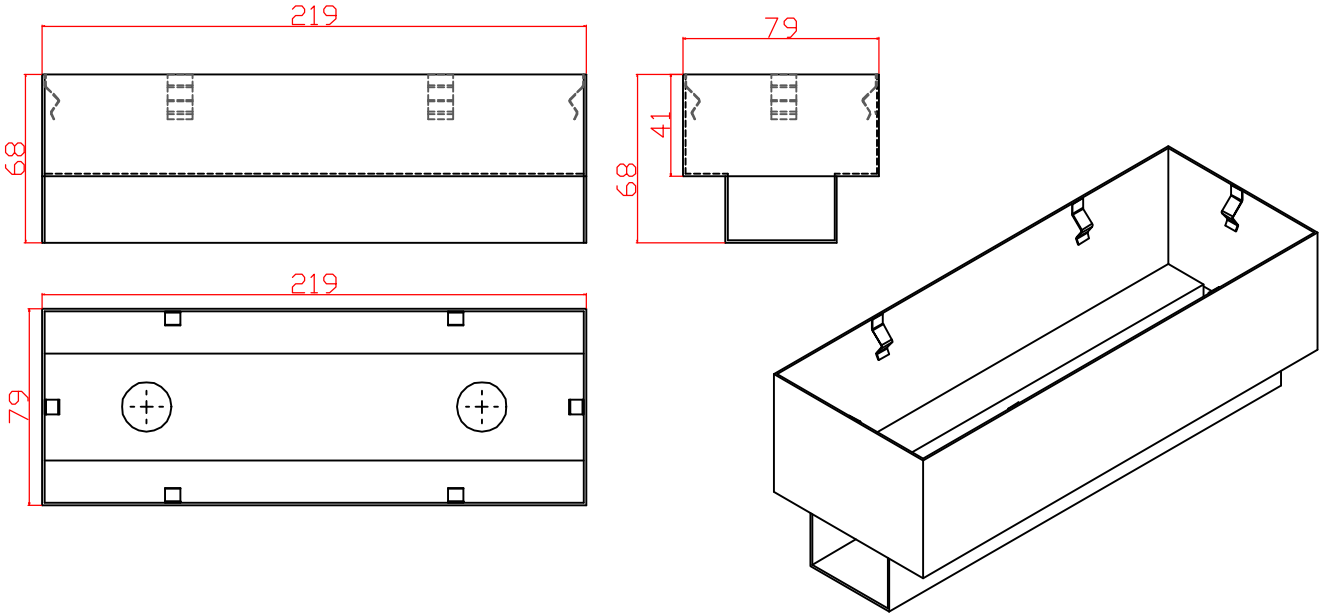


Technical Drawing



Outer Casing



Unit: mm