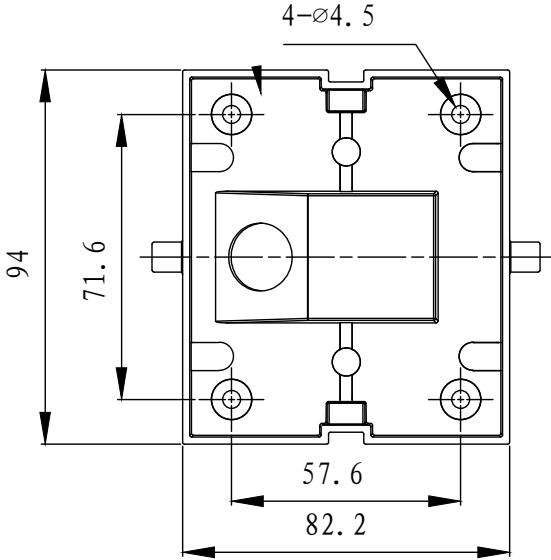
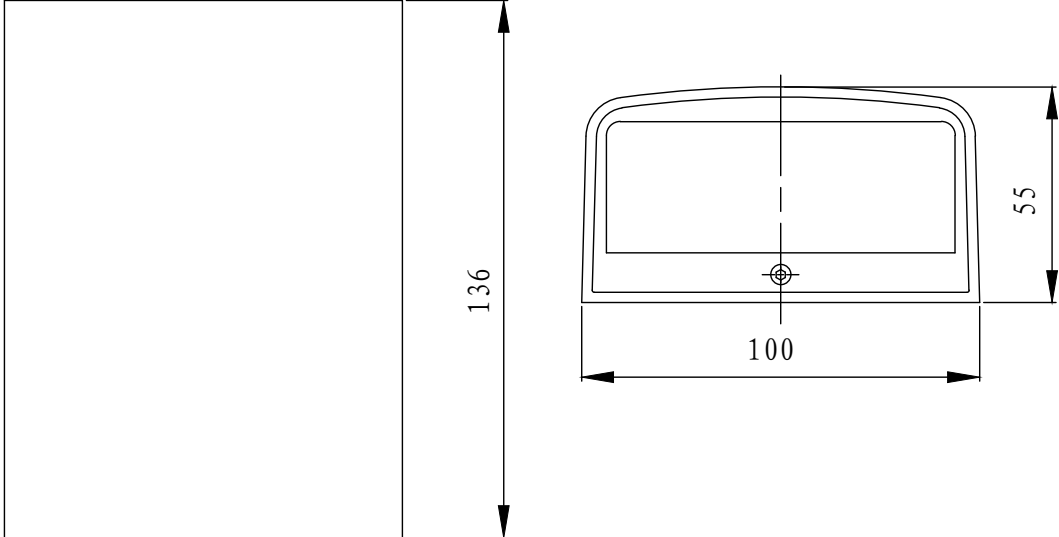


Technical Drawing

(Up or Down Light)

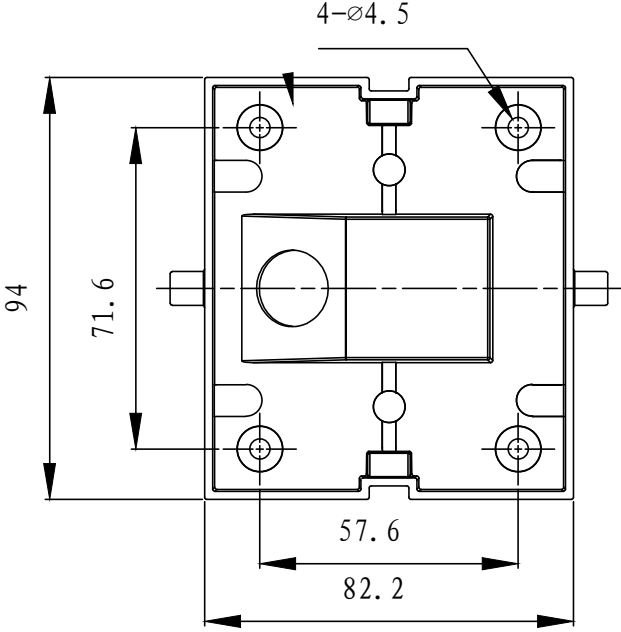
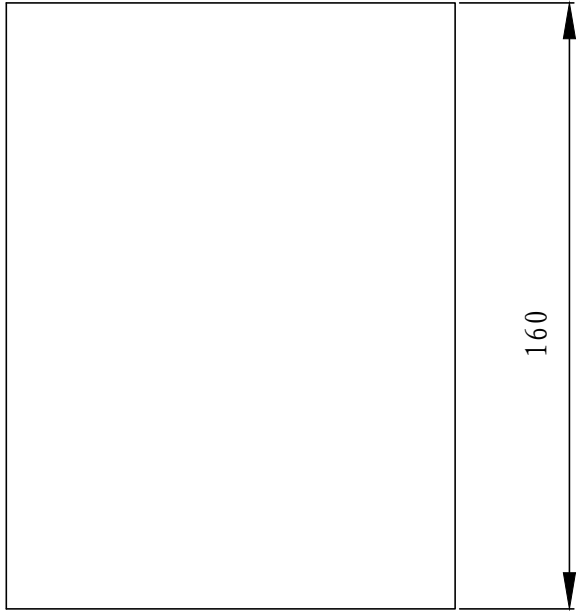
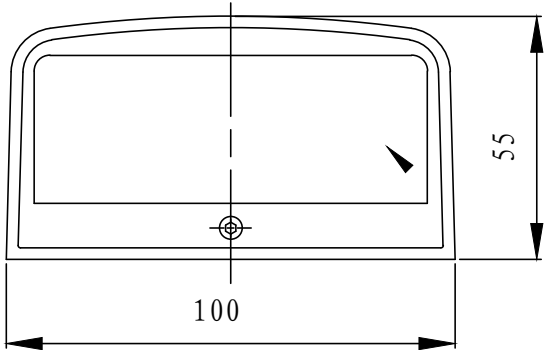


Installation template

Unit: mm

Technical Drawing

(Up and Down Light)



Installation template

Unit: mm