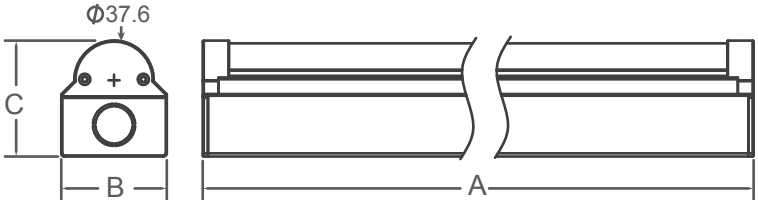
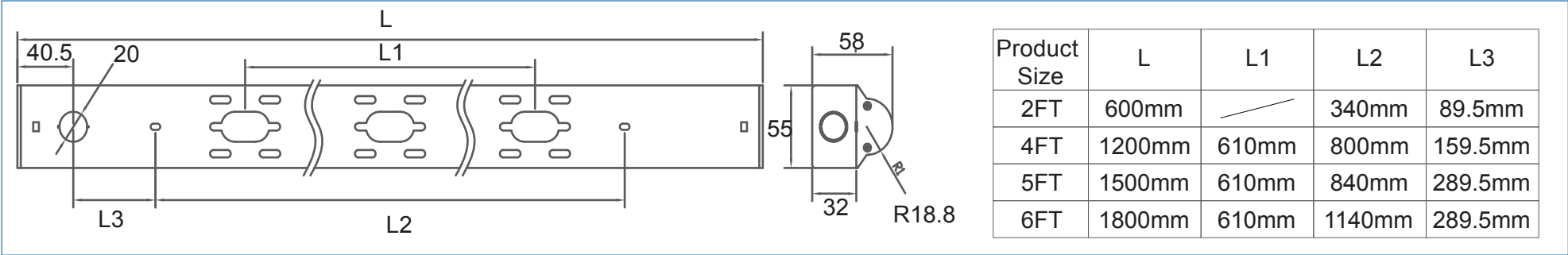
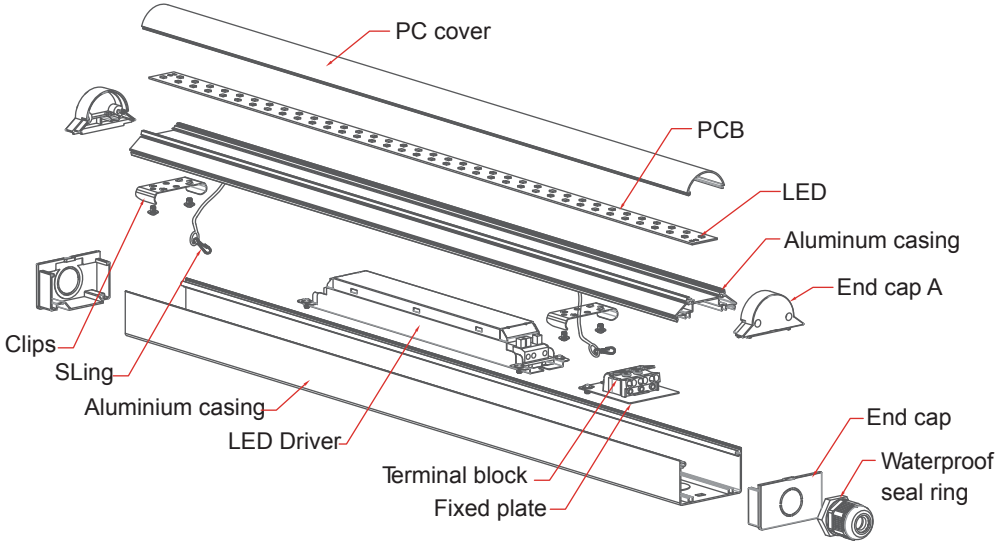


Technical Drawing



| Length | A | B | C |
|-----------|------|----|----|
| 60cm/2ft | 600 | 55 | 58 |
| 120cm/4ft | 1200 | 55 | 58 |
| 150cm/5ft | 1500 | 55 | 58 |
| 180cm/6ft | 1800 | 55 | 58 |



Unit: mm