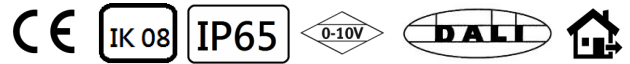



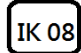
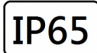



BALONI

Dia140&200mm Max15W IP65



Luminaire made of aluminum, build in precise optics, uniform and anti-glare. Various height for different applications, professional design of heat dissipation, LED and aluminum body fixed tightly. Optimized structure. Longer lifetime, better lighting distribution, less and softer lighting depreciation. Integral driver, line voltage input directly, applied widely in squares, parks, and walkways lighting.
Die casting aluminum housing
Extruded aluminum pole.
Precise optics
Imported silicon rubber ring
Stainless steel screws

Technical Data

Luminaire Type-安裝方式-Tipo de luminaria	Surface Mounted Type明裝式燈具Superficie Tipo Montado		
Dimension-尺寸-Dimensión	• Dia 140 x H 500 mm • Dia 200 x H 500 mm	Dia 140 x H 790 mm Dia 200 x H 790 mm	
Power Consumption Max-燈具功率 Consumo de energía Max	• 6W @ Dia 140mm • 12W @ Dia 200mm	8W @ Dia 140mm	15W @ Dia 200mm
Input Voltage-輸入電壓-Voltaje de entrada	AC 100-240V 50/60Hz		
LED Driver Type LED驅動款式 Tipo de controlador LED	Integrated-type LED Driver--Refer to LED driver specification 請參閱LED驅動器規格 Consulte la especificación de controlador de LED 1. ON/OFF Switch AC100-240V 50/60HZ 2. ELV Dimming Driver (5-100%) AC 100-120V 50/60Hz or AC 220-240V 50/60HZ 3. 0-10V Dimming Driver AC100-240V 50/60HZ 4. Dali Dimming Driver AC100-240V 50/60HZ		
Control Protocol-控制協議 Protocolo de Control	0-10V / Dali / DMX 512 / RDM / ZIGBEE Wireless Control		
Beam Angle 光束角 ángulo de haz	Asymmetric		
Light Source Brand-光源品牌-Fuente de luz de marca	CREE - (Photobiological safety-IEC 62471 'Risk Group 1' (low risk))		
"Lumen Maintenance LM-80 Reported by TM-21"	L70(10k) > 63,500 hrs		
LED Life-LED壽命-La vida del LED	>60,000 hours		
Color Temperature -色溫 Temperatura del color	2700K / 3000K / 4000K / 5000K / 6500K		
Color Rendering Index-顯色指數 Índice de reproducción cromática	• >80 • >90		
MacAdam Ellipses Binning 麥克亞當橢圓分級 Mac Adam binning ellipse	Standard Deviation Colour Matching < 3 SDCM 標準偏差配色 < 3 SDCM Coincidencia de color estándar Desviación < 3 SDCM		
Luminaire Efficacy 燈具效率 La eficacia de la luminaria	• 100 Lm/w(2700K), • 110 Lm/w(5000K),	105 Lm/w(3000K), 110 Lm/w(6500K),	105 Lm/w(4000K),
LED Source Luminous Efficacy LED光源光效 Fuente luminosa LED Eficacia	• 150Lm/w(2700K), • 170 Lm/w(5000K),	160 Lm/w(3000K), 170 Lm/w(6500K),	160Lm/w(4000K),
Housing materials-外殼材料 Materiales de la carcasa	Aluminum alloy , transparent PC cover and stainless steel screws 鋁合金, 透明PC蓋和不銹鋼螺絲 Aleación de aluminio, cubierta de PC transparente y tornillos de acero inoxidable		
Housing Color 外殼顏色 color de la carcasa	Mechanical and chemical anti-corrosion pre-treatment UV-resistant polyester exterior powder-coating system. 機械和化學防腐預處理使用防紫外線粉末塗料體 Pretratamiento mecánico y químico anticorrosión. Sistema de recubrimiento en polvo exterior de poliéster resistente a los rayos UV. Graphite 石墨黑 Grafito RAL 9005 Gray 灰色 Gris RAL 9006 White 白色 Blanco RAL9010		
Ingress Protection-防護等級 Protección de ingreso	IP65		
Operating Temperature Range / 工作溫度範圍 Rango de temperatura de funcionamiento	-20 °C / +50 °C		
Operating Humidity -工作濕度 Humedad de funcionamiento	0~90%, non-condensing-不結霜 sin condensación		
Mech impact protection 機械衝擊保護 Protección contra impactos mecánico	IK08		
Comply Testing Standard符合測試標準 Cumplir el estándar de prueba	LED Luminaries: IEC/EN 60598-1 ; IEC/EN 60598-2-3; IEC TR 62778; IEC 62031 LED Driver: IEC 61347-1; IEC 61347-2-13; EN 55015; IEC 61000-3-2; IEC 61000-3-3; IEC 61547; EN 62384		
Certification-認證-Certificación	     		

Project	Fixture#	Date
		Firm



Ordering Information

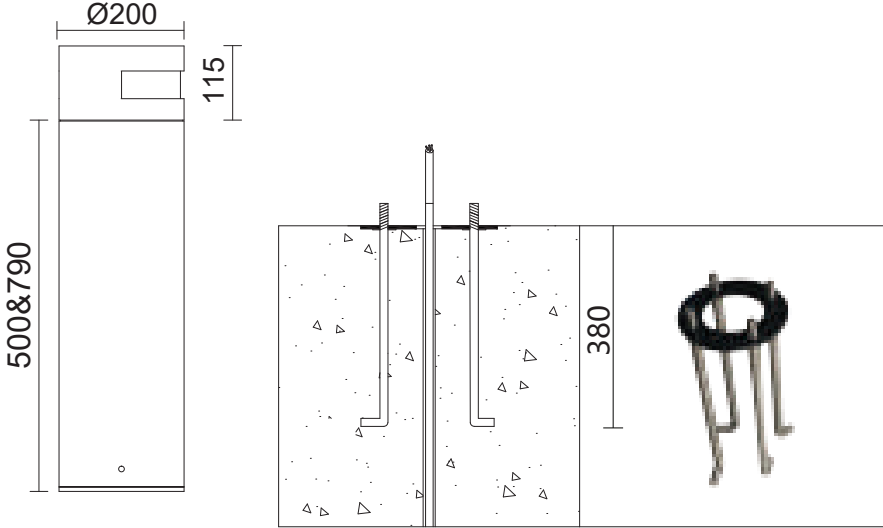
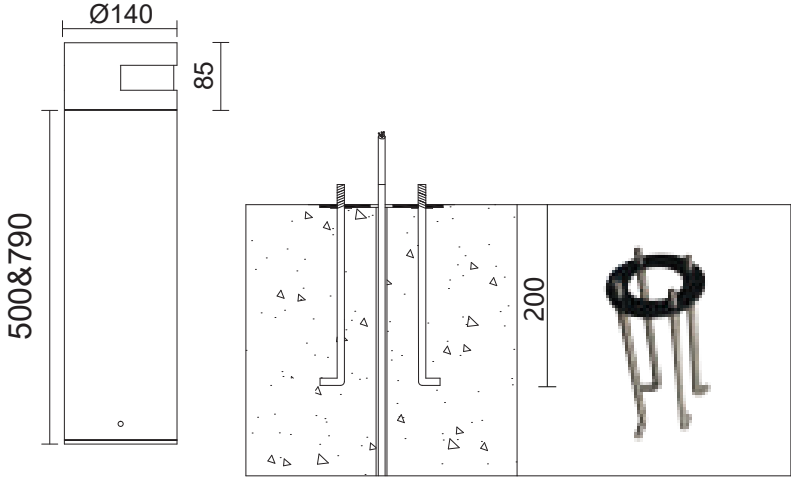
Choose the option that suits your need and write its corresponding code on the appropriate line to form the product code.

Example product code: [BALONI-15W](#)

BALONI - - _____
Power Consumption

Power Consumption	
Code	Description
6W	6W @ Dia 140 x H 790 mm @ Dia 140 x H 500 mm
8W	8W @ Dia 140 x H 790 mm @ Dia 140 x H 500 mm
12W	12W @ Dia 200 x H 790 mm @ Dia 200 x H 500 mm
15W	15W @ Dia 200 x H 790 mm @ Dia 200 x H 500 mm

Technical Drawing



Unit: mm