

BAWATY-VANDAL G2

Vandal Resistant LED waterproof fitting




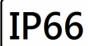





- Robust frosted polycarbonate lens resists impact & abuse with IK10
- With high ingress protection IP66
- Designed for heavy industry and projects
- Pressure die-cast aluminum body with a powder coated paint finish
- Suitable for outdoor and indoor use
- Optional amber, blue, green and other colour temperature
- Fixed by security screws, safety to prevent disassembly

BAWATY-VANDAL G2

Vandal Resistant LED waterproof fitting

DIMON
TECHNOLOGY

Technical Data

Luminaire Type-安裝方式-Tipo de luminaria	Surface Mounted Type-明裝式燈具-Superficie Tipo Montado		
Dimension-尺寸-Dimensión	L: 650x W 110 x H: 95 mm		L: 1160x W 110 x H: 95 mm
Power Consumption Max-燈具功率 Consumo de energía Max	L: 698mm L: 1160 mm	20W 25W 30W 35W 40W 40W 45W 50W 55W 60W 65W 70W	
Input Voltage-輸入電壓-Voltaje de entrada	AC220-240V 50/60HZ		
LED Driver Type LED驅動款式 Tipo de controlador LED	Integrated-type LED Driver--Refer to LED driver specification 請參閱LED驅動器規格 Consulte la especificación de controlador de LED 1. ON/OFF Switch AC220-240V 50/60HZ 2. 0-10V Dimming Driver AC220-240V 50/60HZ 3. DALI Dimming Driver AC220-240V 50/60HZ 4. Emergency Backup >2 hours or >3 hours @ < 12 charger hours 應急電池/Copia de seguridad de emergencia		
LED Driver Features 驅動特性 Funciones del controlador de LED	Power Factor (Lambda): PF>0.95 or PF > 0.9 Total Harmonic Distortion: THD<20%		
Control Protocol-控制協議-Protocolo de Control	0-10V / DALI		
Light Source Brand-光源品牌-Fuente de luz de marca	SMD LED		
"Lumen Maintenance LM-80 Reported by TM-21"@ 25°C	L70 > 54,000 hrs		
LED Life-LED壽命-La vida del LED	>100,000 hours		
Color Temperature -色溫 Temperatura del color	2700K / 3000K / 4000K / 5000K / 6500K		
Color Rendering Index-顯色指數 Índice de reproducción cromática	>80		
MacAdam Ellipses Binning 麥克亞當橢圓分級 Mac Adam binning ellipse	tandard Deviation Colour Matching < 3 SDCM 標準偏差配色 < 3 SDCM Coincidencia de color estándar Desviación < 3 SDCM		
Beam Angle 光束角 ángulo de haz	110°		
Photobiological safety-IEC 62471 / of Luminaire 光生物安全檢驗(ICE/EN 62471) 結果: Seguridad fotobiológica-IEC 62471	Exempt 豁免Eximir		
Luminaire Efficacy 燈具效率 La eficacia de la luminaria	100 Lm/w(2700K), 120 Lm/w(5000K),	110 Lm/w(3000K), 120 Lm/w(6500K),	120 Lm/w(4000K),
ED Source Luminous Efficacy LED光源光效 Fuente luminosa LED Eficacia	140 Lm/w(2700K), 160 Lm/w(5000K),	150 Lm/w(3000K), 160 Lm/w(6500K),	160 Lm/w(4000K),
Housing materials-外殼材料 Materiales de la carcasa	Die-cast aluminum body with UV stabilised polycarbonate Opal Diffuser 壓鑄鋁和抗紫外線乳白PC擴散罩 Aluminio fundido a presión con difusor de ópalo de policarbonato estabilizado a los rayos UV		
Housing Color外殼顏色color de la carcasa	RAL 7035		
Mech impact protection 機械衝擊保護 Protección contra impactos mecánicos	IK10		
Ingress Protection-防護等級 Protección de ingreso	IP66		
Operating Temperature Range / 工作溫度範圍 Rango de temperatura de funcionamiento Operating Humidity -工作濕度 Humedad de funcionamiento	-20 °C / +50 °C 0~100%, non-condensing-不結霜 sin condensación		
Net Weight淨重Peso Neto	650mm @ 9.5±0.3kg	1160mm @ 13 ±0.3kg	
Comply Testing Standard 符合測試標準 Cumplir el estándar de prueba	LED Luminaires: IEC/ EN 60598-1 / EN 60598-2-1 / EN 62031 / EN 62493 / IEC/EN 62471 / IEC 60598-2-22 / IEC 62031 EN 55015 / EN 61000-3-2 / EN 61000-3-3 / EN 61547 / IEC 62262 / IEC 60529 / IEC TR62778 Luminaries Performance : IEC 62722-1 / IEC 62722-2-1 FSD regulation PPA 104A . RoHS LED Driver: EN 55015 / EN 61000-3-2 / EN 61347-1 / EN 61347-2-13 / EN 61547 / EN 62384		
Certification-認證-Certificación	      		

Project	Fixture#	Date
		Firm

Ordering Information

Choose the option that suits your need and write its corresponding code on the appropriate line to form the product code.

Example product code: [BAWATY-20W](#)

BAWATY-

-

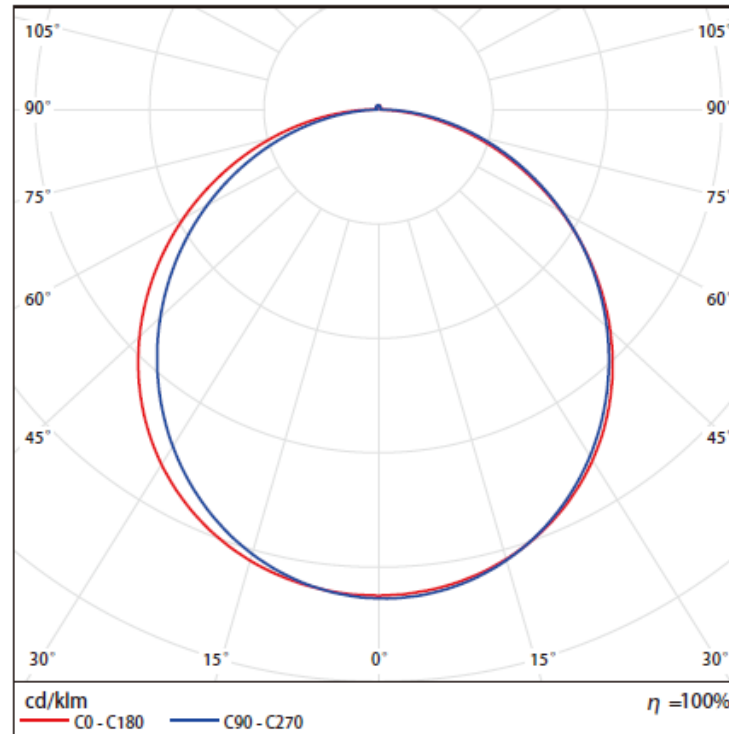
_____ Power Consumption

Power Consumption	
Code	Description
20W	20W @L: 650mm
25W	25W @L: 650mm
30W	30W @L: 650mm
35W	35W @L: 650mm
40W	40W @L: 650mm
40W	40W@L 1160mm
45W	45W@L 1160mm
50W	50W @L 1160mm
55W	55W @L 1160mm
60W	60W @L 1160mm
65W	65W @L 1160mm
70W	70W @L 1160mm

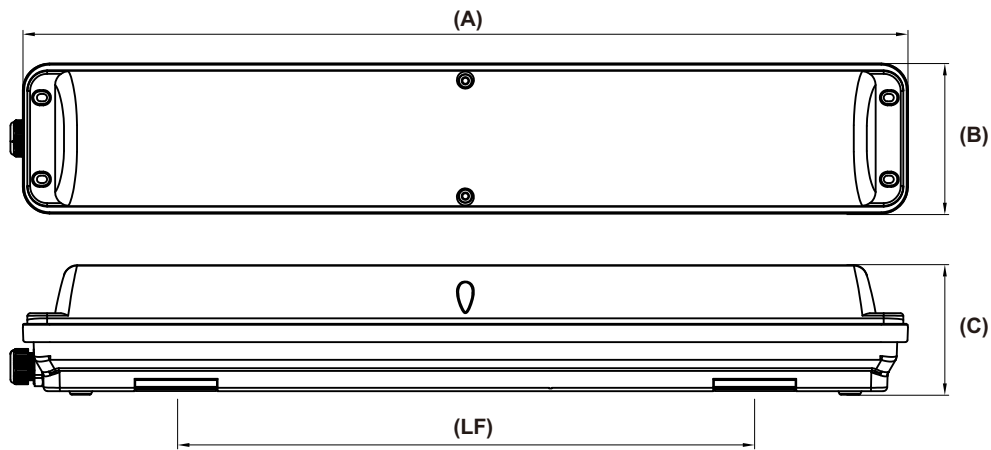


Beam Angle

110°



Technical Drawing



Product Size	A	B	C	LF
650mm	650mm	110mm	95mm	400-450mm
1160mm	1160mm	110mm	95mm	775-825mm

MANUAL INSTRUCTION

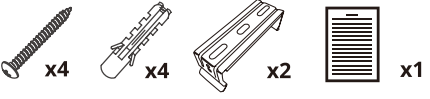
Cixi Yuanhui Lighting Electric CO.,Ltd



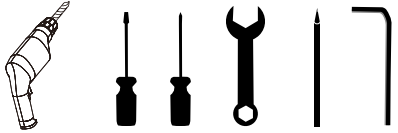
Safety Notice:

- ① Electrical installation should be done by registered electrician.
- ② Disconnect the luminaire from supply and until luminaire is cooled down, before replacement of the driver.
- ③ Never touch the lamp while luminaire is switched on.
- ④ In any case of malfunction disconnect luminaire from supply immediately, don't try to repair the luminaire yourself, repair should only be done by registered electrician or official service agent.

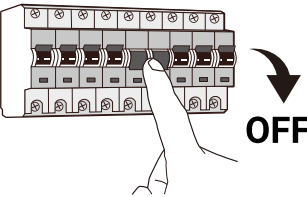
Include



Not Include



Model	Power	Fixing Hole Centre
650	25W	425mm
650	35W	425mm
160	35W	800mm
1160	50W	800mm
1160	65W	800mm



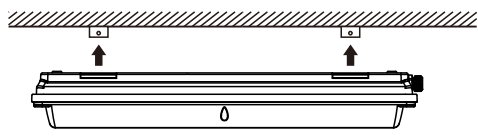
OFF

WARNING

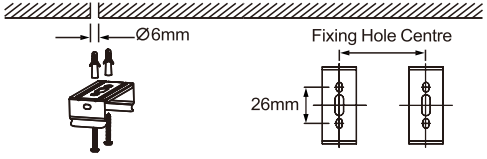
Switch off the power supply before installation



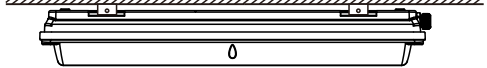
1. Drill a $\varnothing 6\text{mm}$ hole



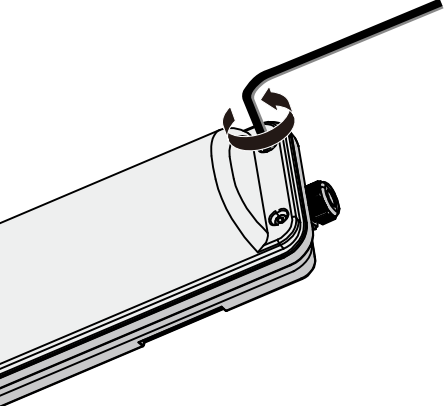
3. Install the luminaire



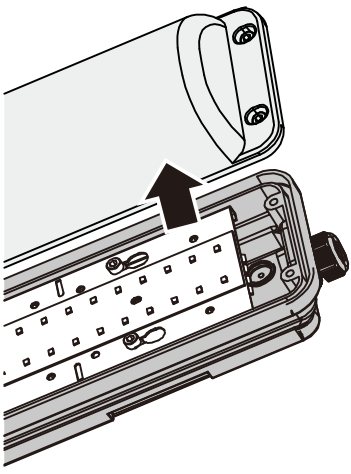
2. According to the Fixing hole centre, install expansion bolts and screws, install the bracket.



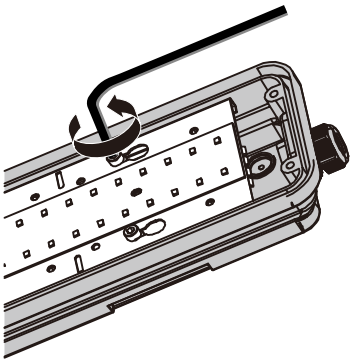
4. Finish install



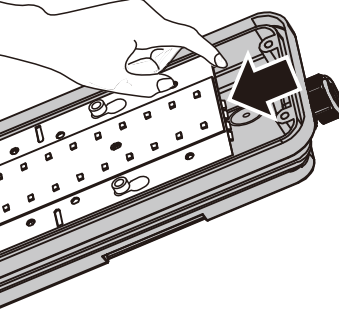
5. Loose the cover screws



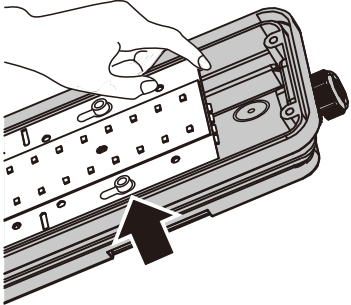
6. Take off the diffuser



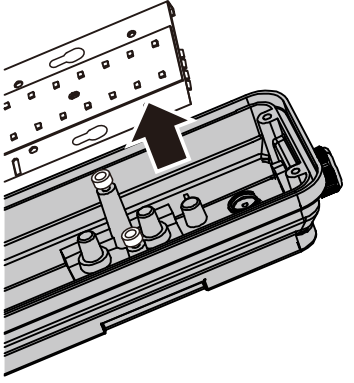
7. Loose the screws



8. Move the LED module



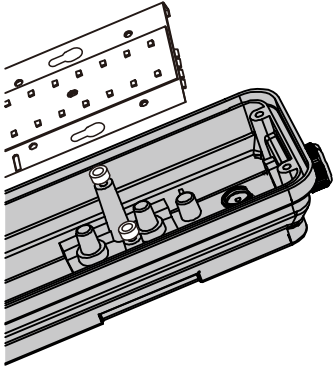
9. Move the LED module to this position



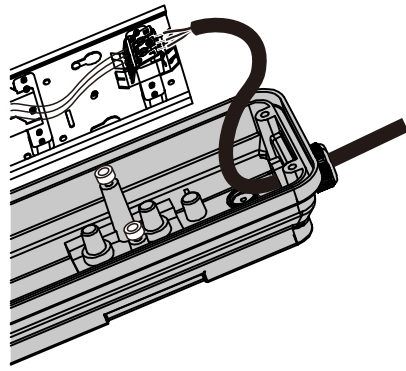
10. Take off the LED module

MANUAL INSTRUCTION

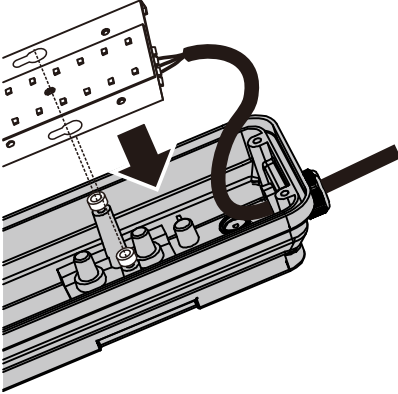
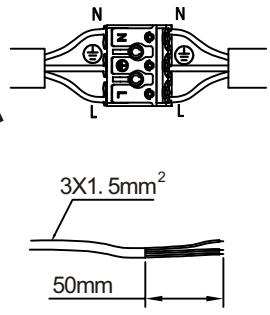
Cixi Yuanhui Lighting Electric CO.,Ltd



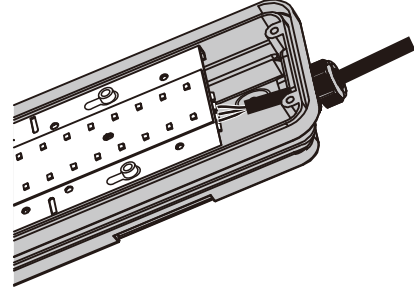
11. Insert the cable through the cable gland



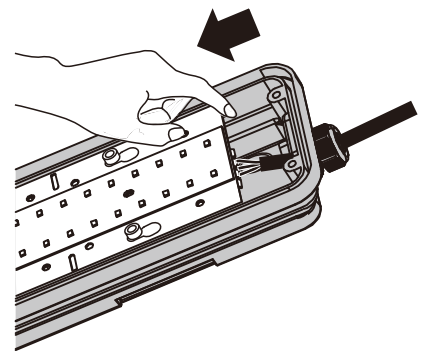
11. Connect L to L, N to N, ⊕ to ⊕



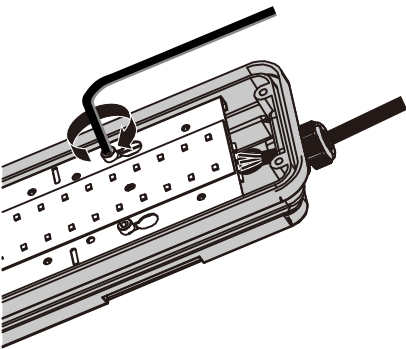
12. Cap the LED module



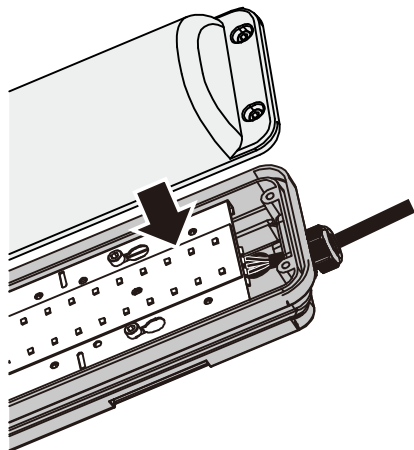
13. Cap the LED module



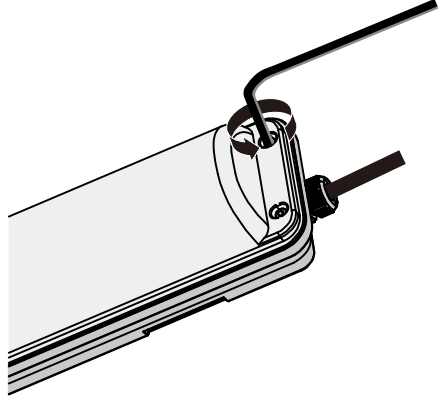
14. Move the LED module back to original position



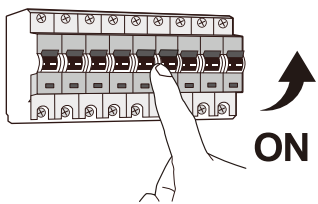
15. Fasten the screws



16. Close the diffuser



17. Fasten the hexagon screws



ON

! WARNING

Switch off the power supply before installation

