



## BOUK-L

L178xW178xH100mm Max 20W





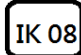
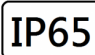
- Aluminum die casting cover and installation connector, simple and practical shape.
- High transparent PC diffuser, it can effectively prevent yellowing and aging. Indirect light luminaire for use with led, which has high visual comfort.
- High quality LED chips, Driver with 0-10V/DALI/programmed options.
- Surface anti-ultraviolet pure polyester powder painting.
- No photo-biological risk, in accordance with EN 62471:2008.
- The maximum surface temperature of all accessible part under 50 degrees for safety and reliable.

# BOUK-L

L178xW178xH100mm Max 20W

**DIMON**  
TECHNOLOGY

## Technical Data

Luminaire Type-安裝方式 Tipo de luminaria	Expansion Bolt Mounting 膨脹螺栓安裝 Montaje de perno de expansión
Dimension-尺寸-Dimensión	L120 x W120mm or L178 x W178mm
Power Consumption Max-燈具功率 Consumo de energía Max	4W 10W 16W 20W
Input Voltage-輸入電壓-Voltaje de entrada	AC 220-240V 50/60Hz
LED Driver Type LED驅動款式 Tipo de controlador LED	Integrated-type LED Driver--Refer to LED driver specification 請參閱LED驅動器規格 Consulte la especificación de controlador de LED 1. ON/OFF Switch AC220-240V 50/60HZ 2. 0/1 -10V Dimming Driver AC220-240V 50/60HZ 3. DALI Dimming Driver AC220-240V 50/60HZ
Control Protocol-控制協議 Protocolo de Control	0/1-10V / DALI
Beam Angle-光束角ángulo de haz	360°
Light Source Brand-光源品牌-Fuente de luz de marca	CREE / Osram
"Lumen Maintenance LM-80 Reported by TM-21"	L70> 54,000 hrs
LED Life-LED壽命-La vida del LED	>100,000 hours
Color Temperature -色溫 Temperatura del color	2700K / 3000K / 4000K / 5000K / 6500K
Color Rendering Index-顯色指數 Índice de reproducción cromática	>80
MacAdam Ellipses Binning 麥克亞當橢圓分級 Mac Adam binning ellipse	Standard Deviation Colour Matching < 3 SDCM 標準偏差配色< 3 SDCM Coincidencia de color estándar Desviación < 3 SDCM
Luminaire Efficacy燈具效率La eficacia de la luminaria	70 Lm/w(2700K), 75 Lm/w(3000K), 75 Lm/w(4000K), 80 Lm/w(5000K), 80 Lm/w(6500K),
LED Source Luminous Efficacy LED光源光效 Fuente luminosa LED Eficacia	130Lm/w(2700K), 140 Lm/w(3000K), 150Lm/w(4000K), 150 Lm/w(5000K), 150 Lm/w(6500K),
Housing materials-外殼材料 Materiales de la carcasa	Aluminum alloy & Polycarbonate diffuser. 鋁合金和聚碳酸酯擴散器 Difusor de aleación de aluminio y policarbonato.
Housing Color 外殼顏色 color de la carcasa	Black / Grey 黑色 / 灰色 Negra / gris
Ingress Protection-防護等級 Protección de ingreso	IP65
Mech impact protection 機械衝擊保護 Protección contra impactos mecánicos	IK08
Operating Temperature Range / 工作溫度範圍 Rango de temperatura de función ambiente	-20 °C / +50 °C
Operating Humidity -工作濕度 Humedad de funcionamiento	0~90%, non-condensing-不結霜 sin condensación
Comply Testing Standard 符合測試標準 Cumplir el estándar de prueba	LED Luminaires:LVD: EN 60598-1 / EN 60598-2-1/ IEC 62031 / EN 62471 IEC 60529 / IEC 62262 / RoHS LED Driver: IEC/EN 61347-1; IEC/EN 61347-2-13; IEC/EN 62384; IEC/EN 61000-3-2; IEC/EN 61000-3-3;IEC/EN61574;EN 55015
Certification-認證-Certificación	   

Project	Fixture#	Date
		Firm



## Ordering Information

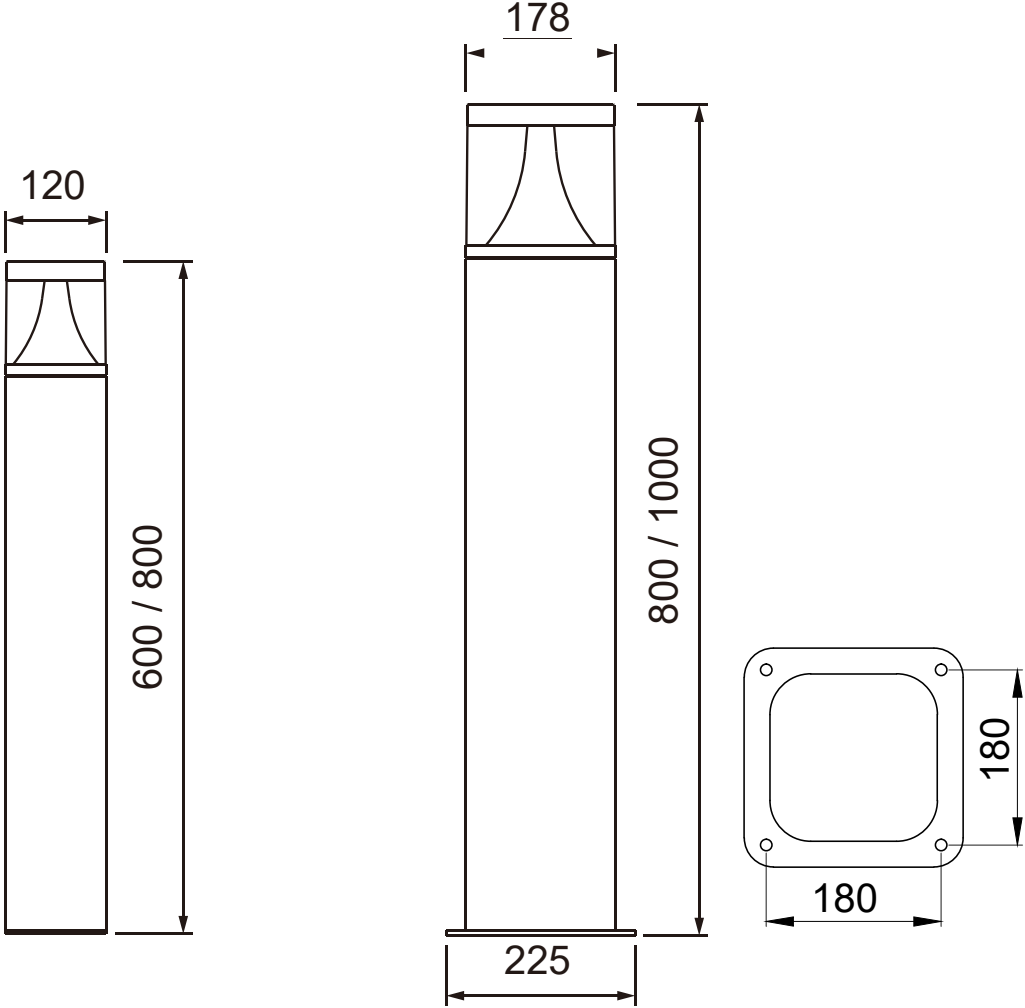
Choose the option that suits your need and write its corresponding code on the appropriate line to form the product code.

Example product code: [BOUK-L-12W](#)

BOUK-L - - \_\_\_\_\_  
Power Consumption

Power Consumption	
Code	Description
<a href="#">4W</a>	4W
<a href="#">10W</a>	10W
<a href="#">16W</a>	16W
<a href="#">20W</a>	20W

Technical Drawing



Unit: mm