


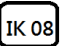
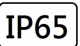



BOUSA

Dia133&168xH----mm 15W E27

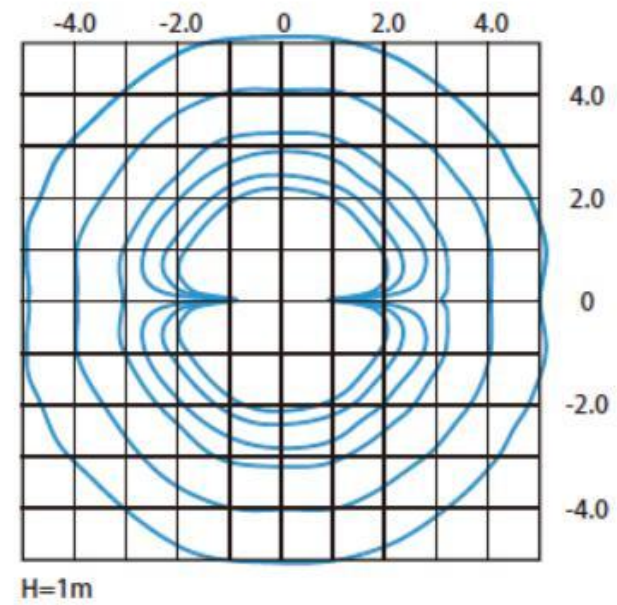
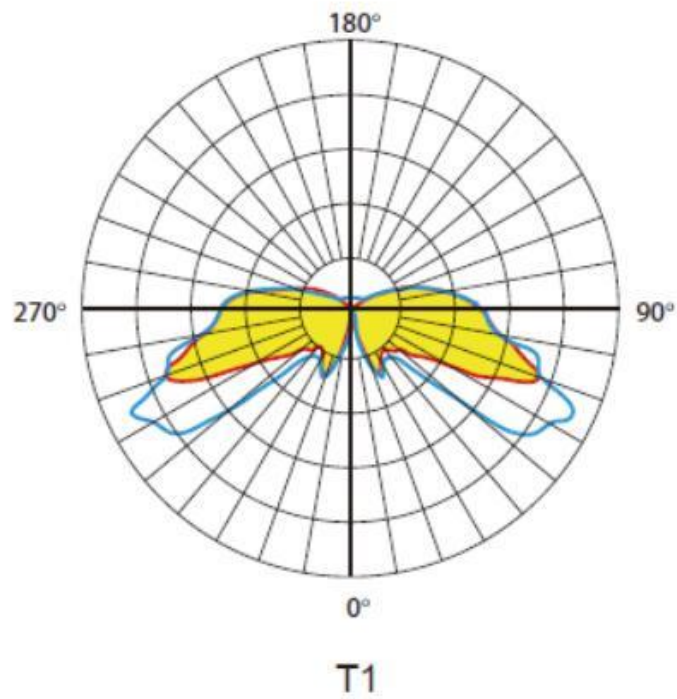


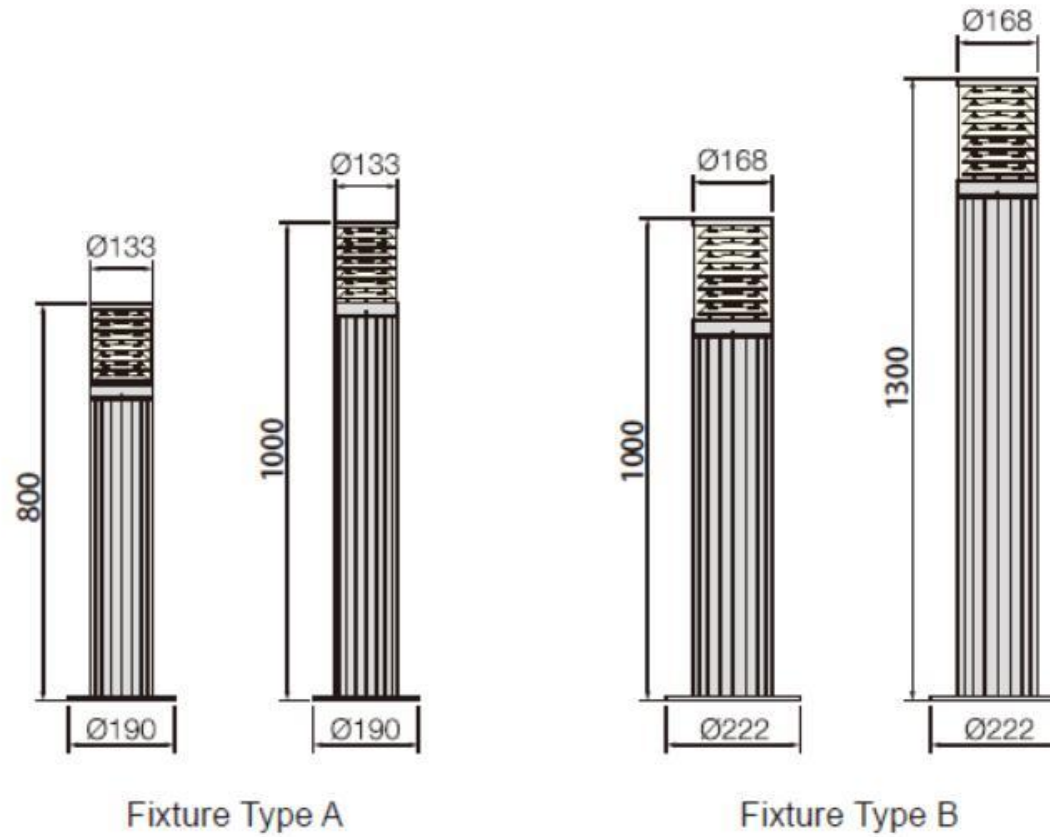
LED BOLLARDS Light with symmetrical light distribution. Die-casting aluminum body, extruded aluminum pole. Surface anti-ageing electrostatic spray processing. Remote-Type ELV , 0-10V, DALI, DMX and RDM LED constant current control gear. LM-80 performance approval >50,000 hours. Anti-glare reflector lens system made of optical PMMA. Waterproof design with IP65 protection. For illuminating paths, streets, parking spaces and traffic-calmed areas.

Technical Data

Luminaire Type- 安裝方式 Tipo de luminaria	Surface Mounted Type 明裝式燈具 Superficie Tipo Montado
Dimension-尺寸-Dimensión	DIA 133 x H 800 mm (Mounting Base Dia 222 mm) @Type A DIA 133 x H 1000 mm (Mounting Base Dia 222 mm) @Type A DIA 168 x H 1000 mm (Mounting Base Dia 222 mm) @Type B DIA 168 x H 1300 mm (Mounting Base Dia 222 mm) @Type B
Power Consumption Max-燈具功率 Consumo de energía Max	15W @ E27 Connector
Input Voltage-輸入電壓-Voltaje de entrada	AC 100-240V 50/60Hz
LED Driver Type LED驅動款式 Tipo de controlador LED	Integrated-type LED Driver--Refer to LED driver specification 請參閱LED驅動器規格 Consulte la especificación de controlador de LED 1. ON/OFF Switch AC100-240V 50/60HZ 2. ELV Dimming Driver (5-100%) AC 100-120V 50/60Hz or AC 220-240V 50/60HZ 3. 0-10V Dimming Driver AC100-240V 50/60HZ 4. DALI Dimming Driver AC100-240V 50/60HZ
LED Driver Features 驅動特性 Funciones del controlador de LED	POWER FACTOR : PFI0.90 @ Full Load TOTAL HARMONIC DISTORTION: THD< 20% EFFICIENCY (Typ.): >90% MAX. No. of PSUs on 16A CIRCUIT BREAKER: 25 units (circuit breaker of type B) / 40 units (circuit breaker of type C at 230VAC)
Control Protocol-控制協議 Protocolo de Control	0-10V / DALI / DMX 512 / RDM / ZIGBEE Wireless Control
Beam Angle 光束角 ángulo de haz	130°
Light Source Brand-光源品牌-Fuente de luz de marca	SMD - (Photobiological safety-IEC 62471 'Risk Group 1' (low risk))
"Lumen Maintenance LM-80 Reported by TM-21"	1. L90(10k) = 50,700 hrs 2. L80(10k) > 63,500 hrs 3. L70(10k) > 63,500 hrs
LED Life-LED壽命-La vida del LED	>60,000 hours
Color Temperature -色溫 Temperatura del color	2700K / 3000K / 4000K / 5000K / 6500K
Color Rendering Index-顯色指數 Índice de reproducción cromática	>80
MacAdam Ellipses Binning 麥克亞當橢圓分級 Mac Adam binning ellipse	Standard Deviation Colour Matching < 3 SDCM 標準偏差配色 < 3 SDCM Coincidencia de color estándar Desviación < 3 SDCM
Luminaire Efficacy 燈具效率 La eficacia de la luminaria	65 Lm/w(2700K), 65 Lm/w(3000K), 70 Lm/w(4000K), 75 Lm/w(5000K), 75 Lm/w(6500K),
LED Source Luminous Efficacy LED光源光效 Fuente luminosa LED Eficacia	100 Lm/w(2700K), 100 Lm/w(3000K), 105 Lm/w(4000K), 120 Lm/w(5000K), 120 Lm/w(6500K)
Housing materials-外殼材料 Materiales de la carcasa	Aluminium and PMMA 鋁和PMMA Aluminio y PMMA
Housing Color 外殼顏色 color de la carcasa	Matte Black Matte White Dark Gray Customized finishing color
Ingress Protection-防護等級 Protección de ingreso	IP65 - (IEC 60529)
Operating Temperature Range / 工作溫度範圍 Rango de temperatura de función ambiente	-20 °C / +50 °C
Operating Humidity -工作濕度 Humedad de funcionamiento	0~90%, non-condensing-不結霜 sin condensación
Net Weight /Gross Weight 淨重/毛重 Peso Neto / Peso bruto	4.0 kg / 4.8 kg @Type A @ 800mm 4.6 kg / 5.6 kg @Type A @ 1000mm 6.5kg / 7.5 kg @Type B @ 1000mm 7.8 kg / 8.0 kg @Type B @ 1300mm
Comply Testing Standard 符合測試標準 Cumplir el estándar de prueba	LED Luminaires: IEC 60598-1 / IEC 60598-2-1 / Photometric data-IES format LED Driver: EN 55015 / IEC 61000-3-2 / IEC 61347-1 / IEC 61347-2-13 / IEC 61547
Certification-認證-Certificación	     

Beam Angle





Unit: mm