

BOUTH

D220 x H840mm 14W



LED BOLLARDS LIGHT IP65. This luminaire is one of the modern bollard types. The body is made of cast aluminum and the light is distributed through aluminum reflector and clear glass diffuser, with stainless steel screws and silicon seal gaskets. Designed for lighting in garden, commercial and residential areas, this luminaire provides wide spread downward illumination in gardens, pathways or squares. The high efficient LED technology has been introduced into this bollard luminaire, thus guaranteeing a high degree of efficiency and optimal visual comfort. Designers or architects can easily apply this luminaire at various locations. This type of luminaire enables easy installation and maintenance. Easily applicable in outdoor lighting plans. Focused on the illumination from the head, a beacon light version is also available.

BOUTH

D220 x H840mm 14W

DIMON
TECHNOLOGY

Technical Data

Luminaire Type- 安裝方式 Tipo de luminaria	Surface Mounted Type 明裝式燈具 Superficie Tipo Montado
Dimension-尺寸-Dimensión	DIA 220 x H 840 mm
Power Consumption Max-燈具功率 Consumo de energía Max	14W
Input Voltage-輸入電壓-Voltaje de entrada	AC 200-240V 50/60Hz
LED Driver Type LED驅動款式 Tipo de controlador LED	Integrated-type LED Driver--Refer to LED driver specification 請參閱LED驅動器規格 Consulte la especificación de controlador de LED 1. ON/OFF Switch AC100-240V 50/60HZ 2. ELV Dimming Driver (5-100%) AC 100-120V 50/60Hz or AC 220-240V 50/60HZ 3. 0-10V Dimming Driver AC100-240V 50/60HZ 4. Dali Dimming Driver AC100-240V 50/60HZ
LED Driver Features 驅動特性 Funciones del controlador de LED	POWER FACTOR : PF \geq 0.90 @ Full Load TOTAL HARMONIC DISTORTION: THD< 20% EFFICIENCY (Typ.): >90% MAX. No. of PSUs on 16A CIRCUIT BREAKER: 25 units (circuit breaker of type B) / 40 units (circuit breaker of type C at 230VAC)
Control Protocol-控制協議 Protocolo de Control	0-10V / Dali / DMX 512 / RDM / ZIGBEE Wireless Control
Beam Angle 光束角 ángulo de haz	130°
Light Source Brand-光源品牌-Fuente de luz de marca	CREE - (Photobiological safety-IEC 62471 'Risk Group 1' (low risk))
"Lumen Maintenance LM-80 Reported by TM-21"	1. L90(10k) = 50,700 hrs 2. L80(10k) > 63,500 hrs 3. L70(10k) > 63,500 hrs
LED Life-LED壽命-La vida del LED	>60,000 hours
Color Temperature -色溫 Temperatura del color	2700K / 3000K / 4000K / 5000K / 6500K
Color Rendering Index-顯色指數 Índice de reproducción cromática	>80
MacAdam Ellipses Binning 麥克亞當橢圓分級 Mac Adam binning ellipse	Standard Deviation Colour Matching < 3 SDCM 標準偏差配色 < 3 SDCM Coincidencia de color estándar Desviación < 3 SDCM
Luminaire Efficacy 燈具效率 La eficacia de la luminaria	• 85 Lm/w(2700K), • 85 Lm/w(3000K), • 90 Lm/w(4000K), • 95 Lm/w(5000K), • 95 Lm/w(6500K),
LED Source Luminous Efficacy LED光源光效 Fuente luminosa LED Eficacia	• 100 Lm/w(2700K), • 100 Lm/w(3000K), • 105 Lm/w(4000K), • 120 Lm/w(5000K), • 120 Lm/w(6500K)
Housing materials-外殼材料 Materiales de la carcasa	Aluminium and Clear crystal glass 鋁和透明水晶玻璃 Aluminio y Cristal transparente
Housing Color 外殼顏色 color de la carcasa	• Dark Gray • Silver
Ingress Protection-防護等級 Protección de ingreso	IP65 - (IEC 60529)
Operating Temperature Range / 工作溫度範圍 Rango de temperatura de funcionamiento	-20 °C / +50 °C
Operating Humidity -工作濕度 Humedad de funcionamiento	0~90%, non-condensing-不結霜 sin condensación
Net Weight 淨重 Peso Neto	7.4 kg
Comply Testing Standard 符合測試標準 Cumplir el estándar de prueba	LED Luminaires: IEC 60598-1 / IEC 60598-2-1 / Photometric data-IES format LED Driver: EN 55015 / IEC 61000-3-2 / IEC 61347-1 / IEC 61347-2-13 / IEC 61547

Certification-認證-Certificación



Project	Fixture#	Date
		Firm



Ordering Information

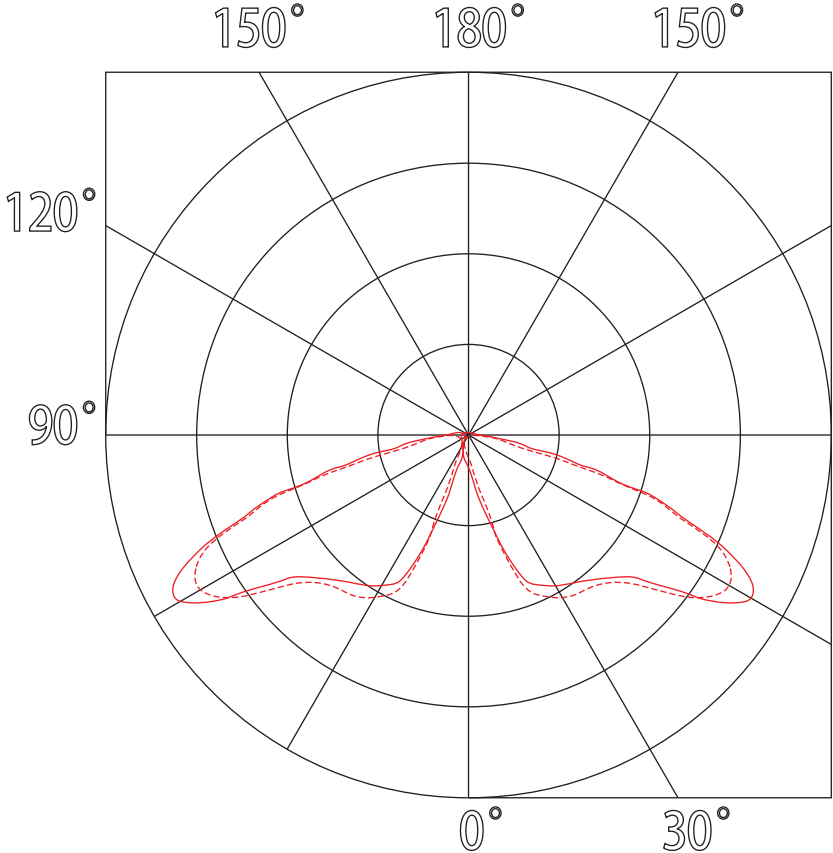
Choose the option that suits your need and write its corresponding code on the appropriate line to form the product code.

Example product code: [BOUTH-14W-SW-40-DG](#)

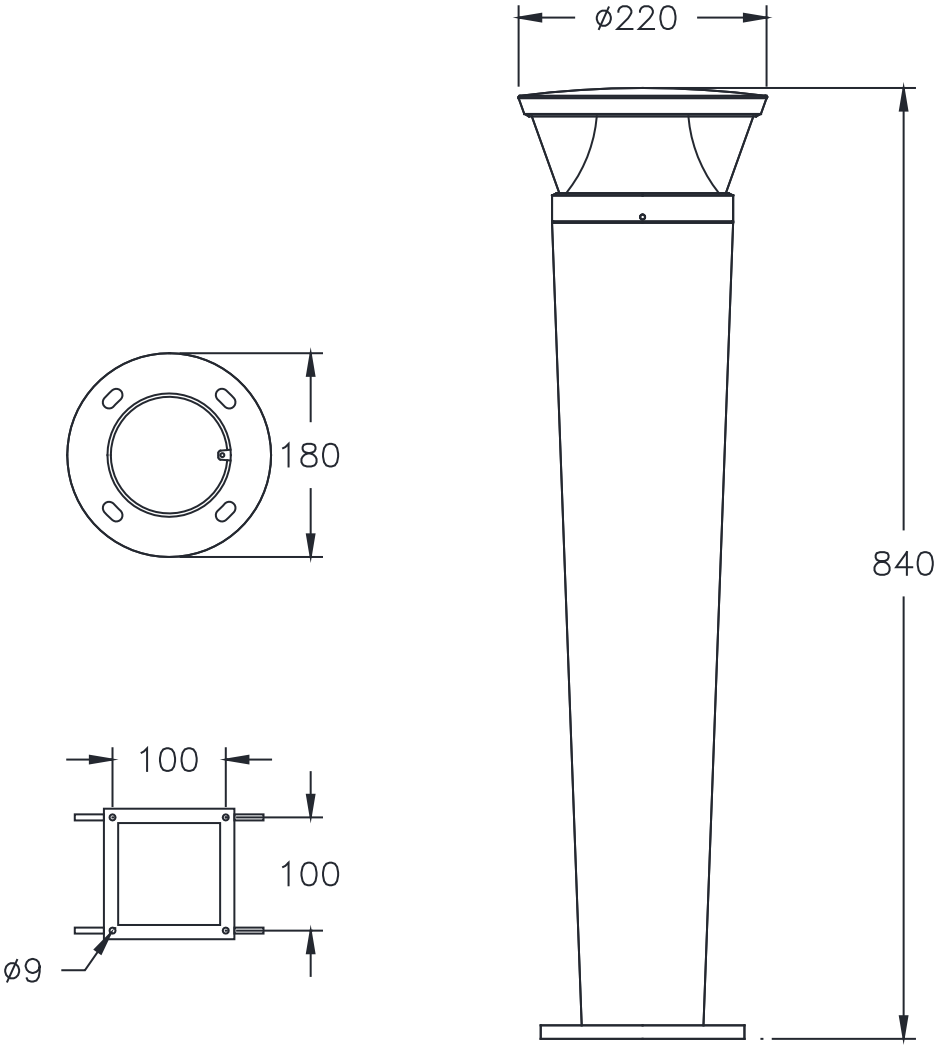
BOUTH - 14W - SW - 40 - DG
 Power Consumption Remote LED Driver Type Color Temperature Housing Color

Power Consumption		Remote LED Driver Type		Color Temperature		Housing Color	
Code	Description	Code	Description	Code	Description	Code	Description
14W	14W	SW	ON/OFF Switch	27	2700K	S	Silver
		ELV	ELV Leading Edge Control	30	3000K	DG	Dark Gray
		AN	Analog 0-10V Dimming	40	4000K		
		DA	DALI Dimming	50	5000K		
		ZI	ZIGBEE Wireless Control	65	6500K		

BEAM ANGLE



Technical Drawing



Unit: mm