

CHEMY

D250 x H130mm 14W IP65



LED Ceiling & Wall Light CHEMY. Housing: die-cast aluminium, powder-coated, designed as heatsink, and with stainless steel screws, silicon seal gaskets. Anti-glare reflector and diffusor system made of crystal glass with pattern. LED module: Sumsung LEDs, CRI>80, LM-80 performance approval >50,000 hours. Integrated-Type 0-10V, DALI and ZIGBEE LED constant current control gear.

Technical Data

Luminaire Type- 安裝方式 Tipo de luminaria	Ceiling Mounted Type& Wall Mounted Type 吸頂安裝&壁裝 Tipo montado en el techo&Tipo montado en la pared
Power Consumption with LED Integral Driver LED燈具包括LED驅動電源功率 Consumo de energía con controlador de LED	14W
Input Voltage / 輸入電壓 Voltaje de entrada	AC100-240V 50/60HZ
LED Driver Type LED驅動款式 Tipo de controlador LED	Integrated-type LED Driver-Refer to LED driver specification 請參閱LED驅動器規格 Consulte la especificación de controlador de LED 1. ON/OFF Switch AC100-240V 50/60HZ 2. ZIGBEE Wireless Dimming Driver AC100-240V 50/60HZ 3. 0-10V Dimming Driver AC100-240V 50/60HZ 4. Dali Dimming Driver AC100-240V 50/60HZ
Control Protocol/控制協議 Protocolo de Control	0-10V / Dali / ZIGBEE Wireless Control
Power Factor / 功率因數/Factor de potencia	PF>0.90
Total Harmonic Distortion/總諧波失/Distorsión armónica total	THD<20%
LED Life-LED壽命-La vida del LED	>60,000 hours
Color Temperature and Color 色溫和顏色 Temperatura y color del color	2700K / 3000K / 4000K / 5000K / 6500K
Color Rendering Index-顯色指數 Índice de reproducción cromática	>82
MacAdam Ellipses Binning 麥克亞當橢圓分級 Mac Adam binning ellipse	Standard Deviation Colour Matching < 3 SDCM 標準偏差配色 < 3 SDCM Coincidencia de color estándar Desviación < 3 SDCM
Beam Angle 光束角 ángulo de haz	120 °
Light Source Brand-光源品牌-Fuente de luz de marca	SAMSUNG - (Photobiological safety-IEC 62471 'Risk Group 1' (low risk))
"Lumen Maintenance LM-80 Reported by TM-21"	1. L90(10k) = 50,700 hrs 2. L80(10k) > 63,500 hrs 3. L70(10k) > 63,500 hrs
Luminaire Efficacy 燈具效率 La eficacia de la luminaria	• 70 Lm/w(2700K), • 70 Lm/w(3000K), • 75 Lm/w(4000K), • 80 Lm/w(5000K), • 80 Lm/w(6500K),
LED Source Luminous Efficacy LED光源光效 Fuente luminosa LED Eficacia	• 100 Lm/w(2700K), • 100 Lm/w(3000K), • 105 Lm/w(4000K), • 120 Lm/w(5000K), • 120 Lm/w(6500K),
Housing materials 外殼材料 Materiales de la carcasa	Die-cast aluminium and crystal glass with pattern 壓鑄鋁和鋼化玻璃 Die fundición de aluminio y cristal con patrón
Housing Color 外殼顏色 color de la carcasa	Dark Gray 深灰色 Dark Gray
Mech impact protection 機械衝擊保護 Protección contra impactos mecánicos	IK10
Operating Temperature Range / 工作溫度範圍 Rango de temperatura de funcionamiento	-20 °C / +60 °C / -4 °F / +124 °F
Operating Humidity -工作濕度 Humedad de funcionamiento	0~90%, non-condensing-不結霜 sin condensación
Dimension 尺寸 Dimensión	Dia: 250 x H: 130 mm
Weight 重量 Peso	2.0 kg
Ingress Protection-防護等級 Protección de ingreso	IP65 - (IEC 60529)
Environment-使用環境-medio ambiente	Outdoor
Comply Testing Standard 符合測試標準 Cumplir el estándar de prueba	LED Luminaires: IEC 60598-1 / IEC 60598-2-2 / Photometric data-IES format LED Driver: EN 55015 / IEC 61000-3-2 / IEC 61347-1 / IEC 61347-2-13 / IEC 61547

Certification-認證-Certificación



Project	Fixture#	Date
		Firm



Ordering Information

Choose the option that suits your need and write its corresponding code on the appropriate line to form the product code.

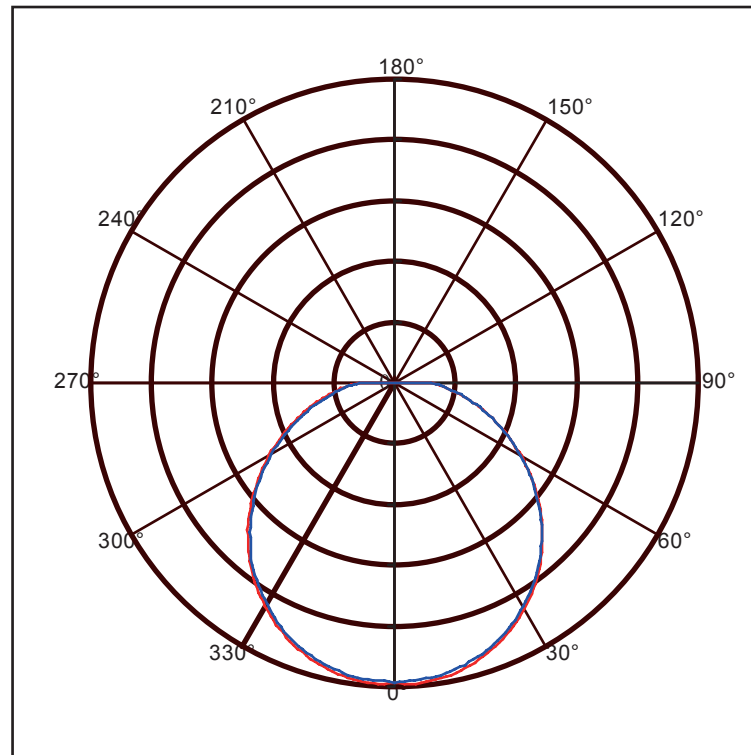
Example product code: [CHEMY-14W-SW-30-CG](#)

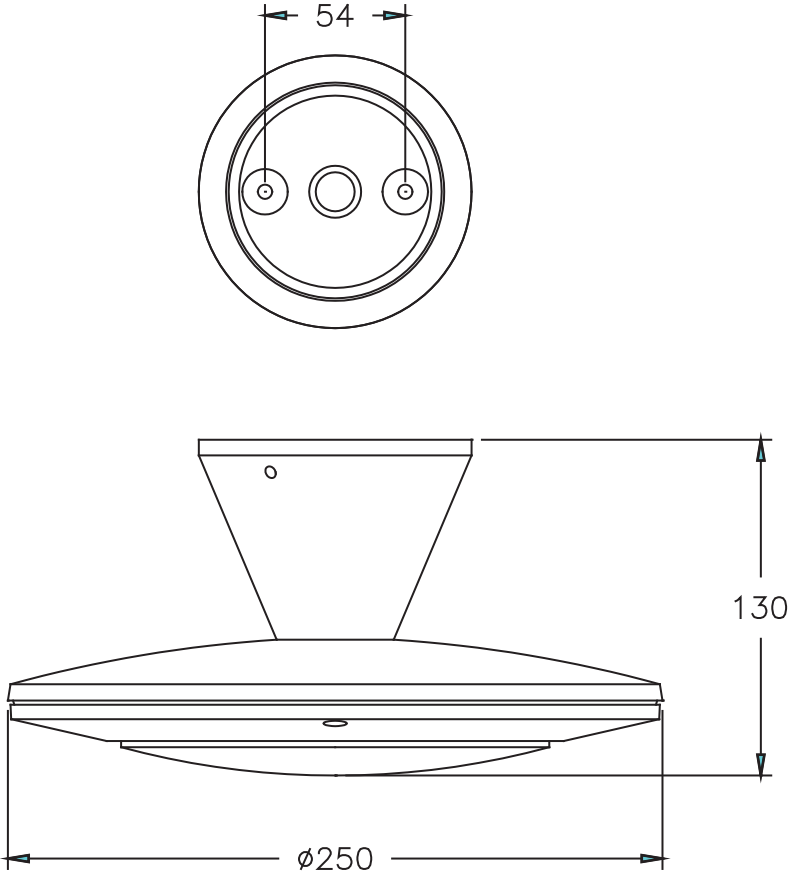
CHEMY - 14W - - -

POWER CONSUMPTION
LED DRIVER TYPE
COLOR TEMPERATURE
Diffusor Type

POWER CONSUMPTION		LED DRIVER TYPE		COLOR TEMPERATURE		Diffusor Type	
Code	Description	Code	Description	Code	Description	Code	Description
14W	14W	SW	ON/OFF Switch	27	2700K	CG	Clear crystal glass with pattern
		AN	Analog 0 -10V Dimming	30	3000K	WG	White crystal glass with pattern
		DA	DALI Dimming	40	4000K		
		ZI	ZIGBEE Wireless Control	50	5000K		
				65	6500K		

BEAM ANGLE





Unit: mm