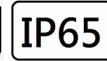


DRIWOD



D127mm 20W Max IP65





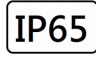



Stainless Steel Trim



Trim Powder Coating :
Matte White

LED RECESSED MOUNT SPOT LIGHT-IP65. Housing: die-cast aluminium, powder-coated, designed as heat sink. Anti-glare PC reflector and diffuser system made of tempered glass. LED module: high-power CREE LEDs Array, CRI>80, LM-80 performance approval >50,000 hours.

Technical Data

Luminaire Type- 安裝方式-Tipo de luminaria	Recessed Mount Type 嵌入式筒燈 Empotrada Tipo Mount
Dimension-尺寸-Dimensión	• DIA 127 x H:65 mm @ Stainless Steel Cover • DIA 127 x H:70 mm @ Aluminum cover
Cut off Dimension-開孔尺寸-Cortar Dimensión	DIA 110 mm
QTY of LEDs-燈珠數量-CANT de LEDs	1 pcs CREE LED Array
Input Voltage-輸入電壓-Voltaje de entrada	AC220-240V 50/60HZ
Power Consumption Max-燈具功率 Consumo de energía Max	• 7W 10W 12W 16W 18W 20W
LED Driver Type LED驅動款式 Tipo de controlador LED	Remote-type LED Driver--Refer to LED driver specification 請參閱LED驅動器規格 Consulte la especificación de controlador de LED 1. ON/OFF Switch AC220-240V 50/60HZ 2. ELV Dimming Driver (5-100%) AC 100-120V 50/60Hz or AC 200-240V 50/60HZ 3. 0-10V Dimming Driver AC100-240V 50/60HZ 4. Dali Dimming Driver AC100-240V 50/60HZ 5. DMX Driver AC100-240V 50/60HZ (Dimming range from 0-100%) 6. RDM Driver AC100-240V 50/60HZ 7. Emergency Backup >2 hours or >3 hours < 24 charger hours 應急電池/Copia de seguridad de emergencia
LED Driver Features 驅動特性 Funciones del controlador de LED	POWER FACTOR : PF>0.95 @ Full Load TOTAL HARMONIC DISTORTION: THD< 20%
Control Protocol-控制協議 Protocolo de Control	0-10V / Dali / DMX 512 / RDM / ZIGBEE Wireless Control
Beam Angle 光束角 ángulo de haz	60°
Light Source Brand-光源品牌-Fuente de luz de marca	CREE - (Photobiological safety-IEC 62471 'Risk Group 1' (low risk))
"Lumen Maintenance LM-80 Reported by TM-21"@ 25°C	L80(10k) > 60,000 hrs L70(10k) > 65,500 hrs
LED Life-LED壽命-La vida del LED	>60,000 hours
Color Temperature -色溫 Temperatura del color	2700K / 3000K / 4000K / 5000K / 6500K
Color Rendering Index-顯色指數 Índice de reproducción cromática	• >80 • >90
Chromaticity Tolerance (initial Macadam) 色度容差 (初始Macadam) Tolerancia de cromaticidad (Macadam inicial)	Standard Deviation Colour Matching < 3 SDCM 標準偏差配色 < 3 SDCM Coincidencia de color estándar Desviación < 3 SDCM
Luminaire Efficacy 燈具效率 La eficacia de la luminaria	• 105 Lm/w(2700K), 105 Lm/w(3000K), 110 Lm/w(4000K), • 115 Lm/w(5000K), 115 Lm/w(6500K),
LED Source Luminous Efficacy LED光源光效 Fuente luminosa LED Eficacia	• 130 Lm/w(2700K), 130 Lm/w(3000K) 135 Lm/w(4000K), • 140 Lm/w(5000K), 140 Lm/w(6500K),
Housing materials-外殼材料 Materiales de la carcasa	Die-cast aluminum & Polycarbonate reflector & Tempered glass lampshade 壓鑄鋁和碳酸聚酯反光杯和鋼化玻璃燈罩 Reflector de policarbonato y aluminio fundido a presión y pantalla de vidrio templado
Trim Color 框邊顏色 color de corte	Powder Coating :Matte grey body /Stainless steel cover or White aluminum cover 粉末塗料：啞光灰色燈身 /不銹鋼面蓋或白色噴塗鋁面罩 Recubrimiento en polvo: cuerpo gris mate / cubierta de acero inoxidable o cubierta de aluminio blanco
Ingress Protection-防護等級 Protección de ingreso	IP65
Mech impact protection機械衝擊保護 Protección contra impactos mecánicos	IK07
Operating Humidity -工作濕度 Humedad de funcionamiento	0~90%, non-condensing-不結霜 sin condensación
Operating Temperature Range / 工作溫度範圍 Rango de temperatura de funcionamiento	-30 °C / +50 °C
Comply Testing Standard 符合測試標準 Cumplir el estándar de prueba	LED Luminaires: IEC/EN 60598-1 ; IEC/EN 60598-2-2 ; IEC/ EN62493 ; IEC/EN 62301 ; IEC TR 62778 & IEC 62471 (RG1) ;ROHS LED Driver: EN 55015 / IEC 61000-3-2 / IEC 61347-1 / IEC 61347-2-13 / IEC 61547 /IEC 62384
Certification-認證-Certificación	       

Project	Fixture#	Date
		Firm



Ordering Information

Choose the option that suits your need and write its corresponding code on the appropriate line to form the product code.

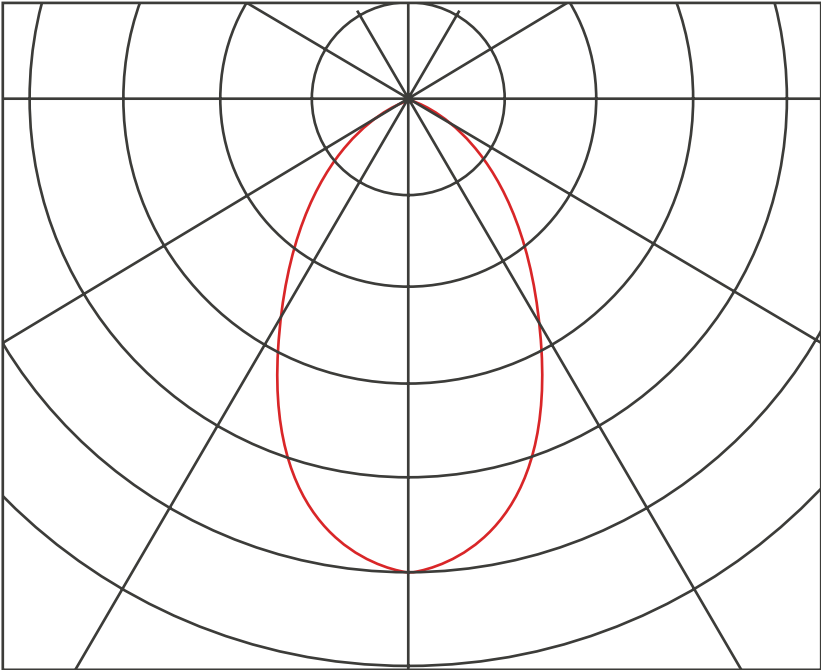
Example product code: [DRIWOD-20W](#)

DRIWOD - - _____
Power Consumption

Power Consumption	
Code	Description
7W	7W
10W	10W
12W	12W
16W	16W
18W	18W
20W	20W

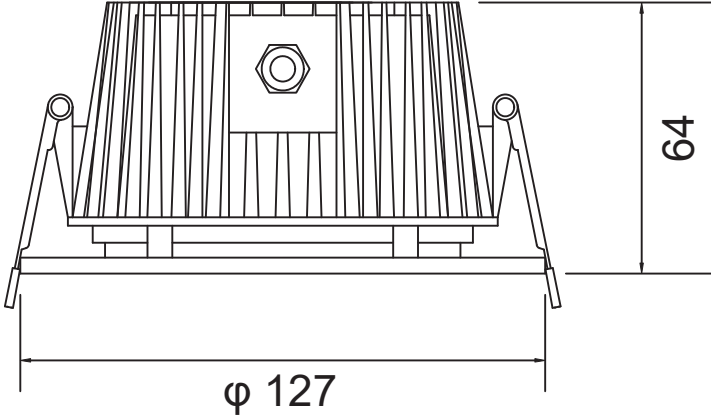
BEAM ANGLE

60°

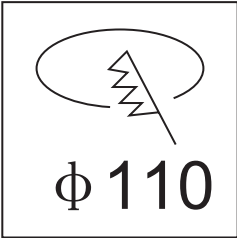
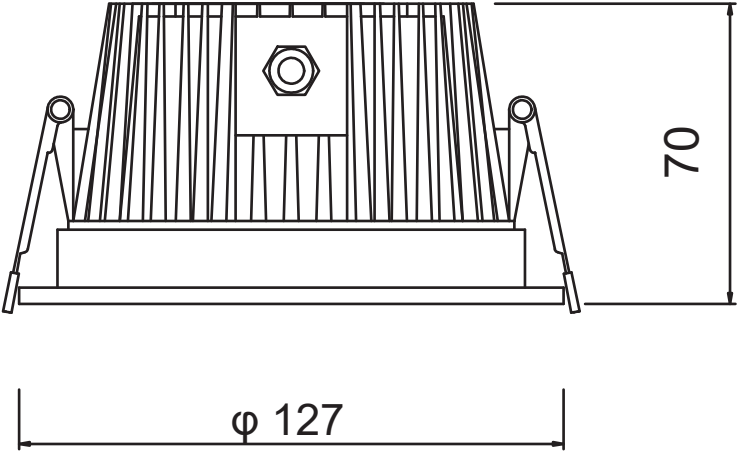


Technical Drawing

Stainless steel cover



Aluminum cover



Unit: mm