

EDDEN

L350xW117xH205mm 5W

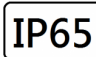





LED Emergency Exit Sign.

Polycarbonate housing & ABS base for the fire safety exit signs. 3.6v1500mAh Ni-Cd batteries pack for the fire safety exit signs.

More than 3 hours emergency duration. 24 hours recharging time for the fire safety exit signs.

Technical Data

Luminaire Type- 安裝方式 Tipo de luminaria	Surface Mounted Type 明裝式燈具 Superficie Tipo Montado
Dimension-尺寸-Dimensión	W:117 x L:350 x H:205 mm
Input Voltage-輸入電壓-Voltaje de entrada	AC90-265V 50/60Hz
Power Consumption Max-燈具功率 Consumo de energía Max	5W
Charge Time 充電時間 Tiempo de carga	24 Hours
Emergency Time 應急時間 En tiempo de emergencia	3 Hours
Maintained / Non	Both
Light Source Brand-光源品牌-Fuente de luz de marca	SMD - (Photobiological safety-IEC 62471 'Risk Group 1' (low risk))
LED Life-LED壽命-La vida del LED	L90(9k) = 53,800 hrs L80(9k) > 54,000 hrs L70(9k) > 54,000 hrs
Color Temperature -色溫 Temperatura del color	6500K
Battery Type 電池類型 Tipo de batería	Ni-Cd
Housing materials-外殼材料 Materiales de la carcasa	Polycarbonate and ABS 聚碳酸酯和ABS Policarbonato y ABS
Housing Color 外殼顏色 color de la carcasa	Matte white 啞光白色 Blanco mate
Ingress Protection-防護等級 Protección de ingreso	IP65 - (IEC 60529)
Environment-使用環境-medio ambiente	Outdoor
Comply Testing Standard 符合測試標準 Cumplir el estándar de prueba	LED Luminaires: IEC 60598-1 / IEC 60598-2-2 / Photometric data-IES format LED Driver: EN 55015 / IEC 61000-3-2 / IEC 61000-3-3/ IEC 61347-1 / IEC 61347-2-13 / IEC 61547
Certification-認證-Certificación	   

Project	Fixture#	Date
		Firm



Ordering Information

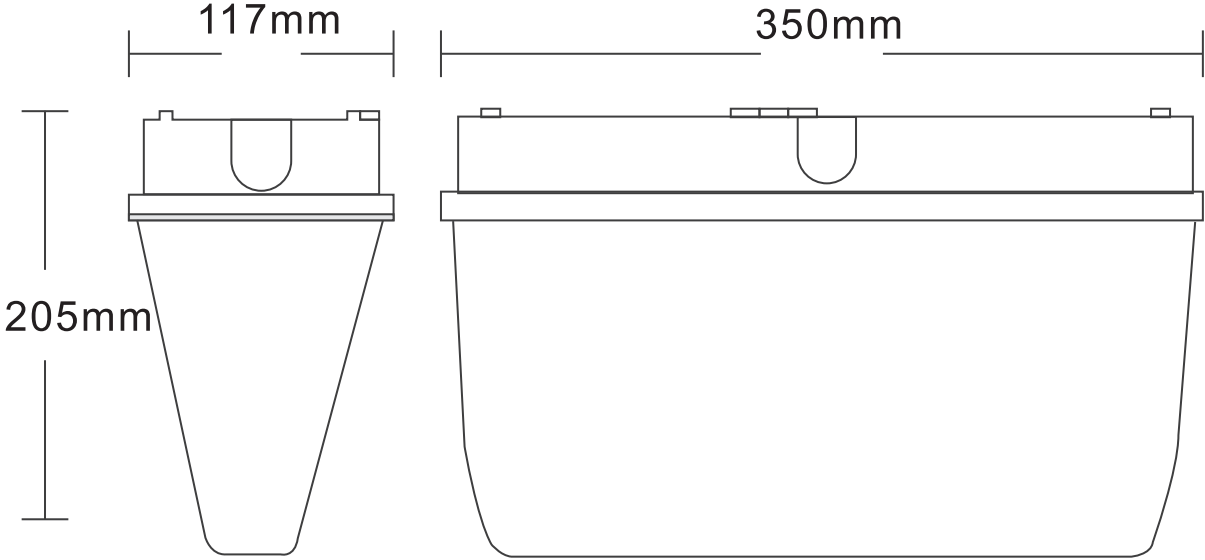
Choose the option that suits your need and write its corresponding code on the appropriate line to form the product code.

Example product code: [EDDEN-5W-65](#)

EDDEN - 5W 65
 Power Consumption Color Temperature

Power Consumption		Color Temperature	
Code	Description	Code	Description
5W	5W	65	6500K

Technical Drawing



Unit: mm