
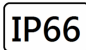







F-SPAMY



LED Flood Light IP66. The fixture coated with electrophoresis and powder for excellent anti- corrosion performance. Die-cast aluminium with safety glass.Galvanized steel plate.Surface anti- aging electrostatic spray processing,super resistance to corrosion. Advanced Integrated Pole System for Landscape design

Technical Data

Luminaire Type- 安裝方式 Tipo de luminaria	Tree / Wall / Surface / Spike / Pole / Pole & Spike Mounted 環樹安裝 / 牆壁安裝 / 表面安裝 / 釘式安裝 / 桿式安裝 / 桿釘式安裝 Instalación de árbol de anillos / instalación de pared / instalación de superficie / instalación de clavos / instalación de poste / instalación de clavo de poste
Power Consumption with LED Driver LED燈具包括LED驅動電源功率 Consumo de energía con controlador de LED	<ul style="list-style-type: none"> • Diameter: 60mm 4W 8W • Diameter: 80mm 10W 12W • Diameter: 100mm 15W 18W 20W • Diameter: 150mm 25W 30W 35W 40W
QTY of LEDs-燈珠數量-CANT de LEDs	1 pcs CREE COB LED
Input Voltage / 輸入電壓 Voltaje de entrada	<ul style="list-style-type: none"> • AC 220-240V/50-60HZ • DC24V or DC24V +DMX512
LED Driver Type LED驅動款式 Tipo de controlador LED	Integrate-type LED Driver--Refer to LED driver specification 請參閱LED驅動器規格 Consulte la especificación de controlador de LED 1. ON/OFF Switch AC220-240V 50/60HZ 2. 0-10V Dimming Driver AC220-240V 50/60HZ 3. Dali Dimming Driver AC220-240V 50/60HZ 4. DC24V 5. DC24V +DMX512
LED Driver Features 驅動特性 Funciones del controlador de LED	<ul style="list-style-type: none"> • POWER FACTOR : PF>0.90 or PF >0.95 • TOTAL HARMONIC DISTORTION: THD< 20%
Control Protocol-控制協議 Protocolo de Control	0-10V / Dali / DMX 512
Light Source Brand-光源品牌-Fuente de luz de marca	CREE
"Lumen Maintenance LM-80 Reported by TM-21"	L70 > 54000hours
LED Life-LED壽命-La vida del LED	>100,000 hours
Color Temperature and Color 色溫和顏色 Temperatura y color del color	2700K 3000K 4000K 5000K 6500K
Color Rendering Index-顯色指數 Índice de reproducción cromática	>80 @ White Color
MacAdam Ellipses Binning 麥克亞當橢圓分級 Mac Adam binning ellipse	Standard Deviation Colour Matching < 3 SDCM 標準偏差配色 < 3 SDCM Coincidencia de color estándar Desviación < 3 SDCM
Beam Angle/光束角/ángulo de haz	24° 36° 60°
Luminaire Efficacy 燈具效率 La eficacia de la luminaria	• 90 Lm/w (2700K) 90 Lm/w (3000K) 100 Lm/w (4000K) 110 Lm/w (5000K) 110 Lm/w (6500K)
LED Source Luminous Efficacy LED光源光效 Fuente luminosa LED Eficacia	• 130 Lm/w (2700K) 130 Lm/w (3000K) 140 Lm/w (4000K) 150 Lm/w (5000K) 150 Lm/w (6500K)
Housing materials 外殼材料 Materiales de la carcasa	Die-cast aluminum and Clear Tempered Glass 壓鑄鋁和透明鋼化玻璃 Aluminio fundido a presión y vidrio templado transparente
Housing Color外殼顏色 color de la carcasa	Powder Coated in UV Resistant powder coating for Anti-corrosion Protection粉末塗料 (抗紫外線和抗腐蝕) Sand White RAL 9003 / Sand Black RAL 9005 / Sand Gray RAL9006 砂白RAL 9003 / 砂黑 RAL 9005 / 砂灰色 RAL9006 Blanco arena RAL 9003 / Negro arena RAL 9005 / Gris arena RAL9006
Ingress Protection-防護等級 Protección de ingreso	IP66
Mech impact protection 機械衝擊保護 Protección contra impactos mecánicos	IK07
Operating Temperature Range / 工作溫度範圍 Rango de temperatura de función ambiente	-30 °C / +50 °C
Operating Humidity -工作濕度 Humedad de funcionamiento	0~100%, non-condensing-不結霜 sin condensación
Dimension尺寸Dimensión	Refer to Technical Drawing 請參閱技術圖紙Consulte el dibujo técnico
Certificate Standard Complied 符合安規標準 estándar certificado de cumplimiento	LED Luminaries: IEC / EN 60598-1;IEC/EN 60598-2-5; IEC TR62778 IEC62471 (RG1); IEC 62031; EN62493 RoHS LED Driver: IEC/EN 61347-1; IEC/EN 61347-2-13; IEC/EN 62384; IEC/EN 61000-3-2; IEC/EN 61000-3-3;IEC/EN61574;EN 55015
Certification-認證-Certificación	      

Project	Fixture#	Date
		Firm

Ordering Information

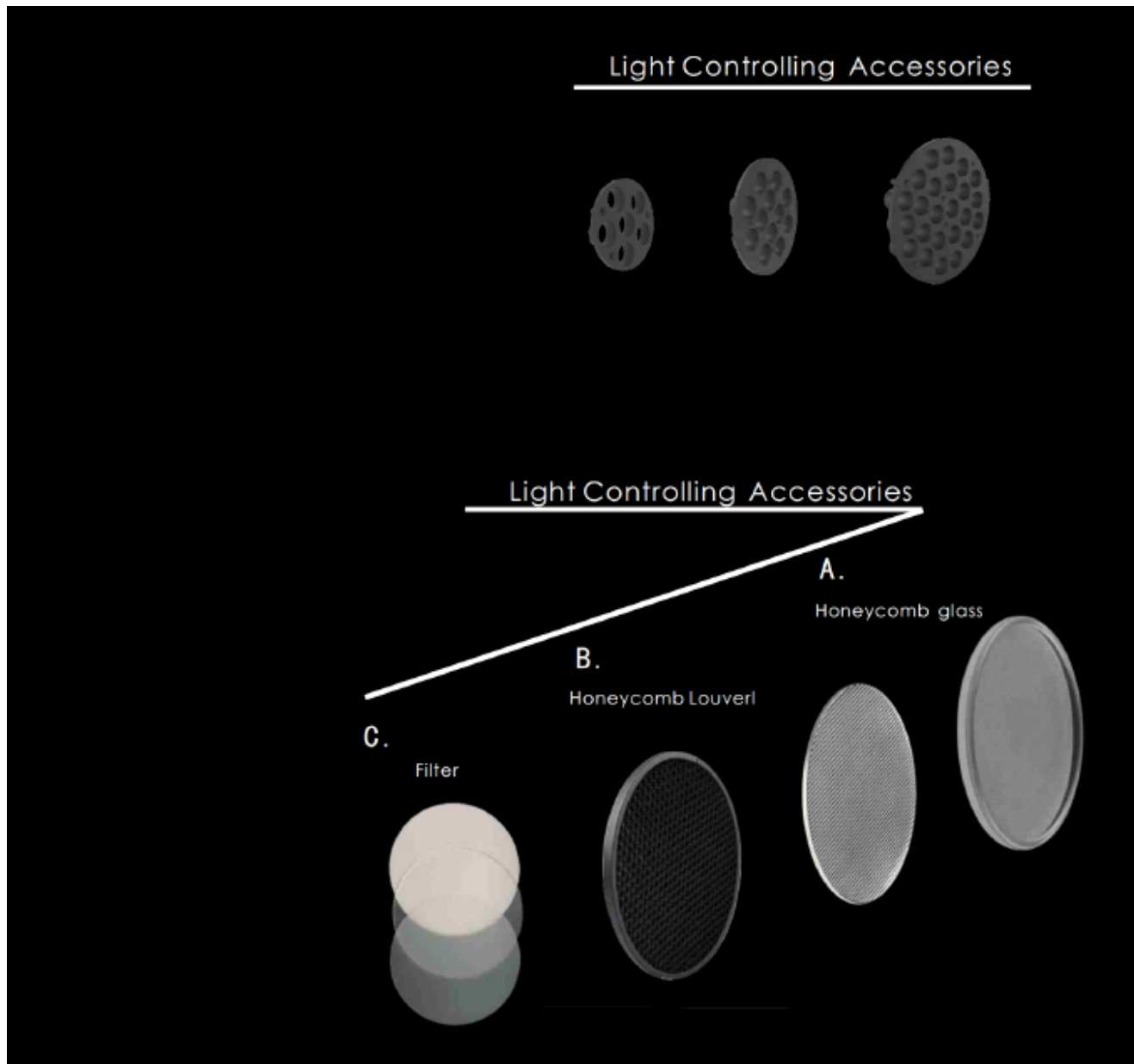
Choose the option that suits your need and write its corresponding code on the appropriate line to form the product code.

Example product code: [F-SPAMY-15W](#)

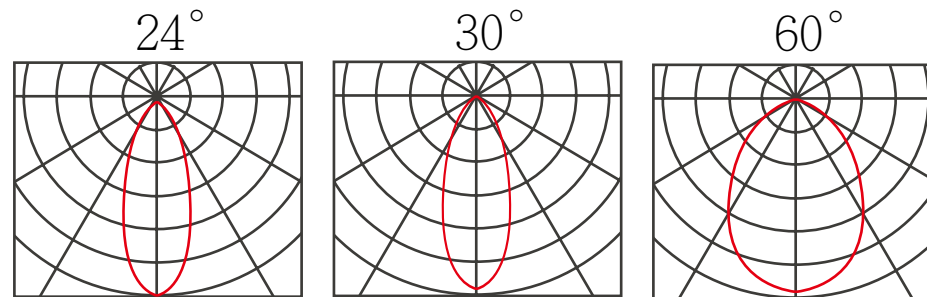
F-SPAMY - - _____
Power Consumption

Power Consumption	
Code	Description
4W	4W @ DIA 60mm
8W	8W @ DIA 60mm
10W	10W @ DIA 80mm
12W	12W @ DIA 80mm
15W	15W @ DIA 100mm
18W	18W @ DIA 100mm
20W	20W @ DIA 100mm
25W	25W@DIA 150mm
30W	30W@DIA 150mm
35W	35W@DIA 150mm
40W	40W@DIA 150mm



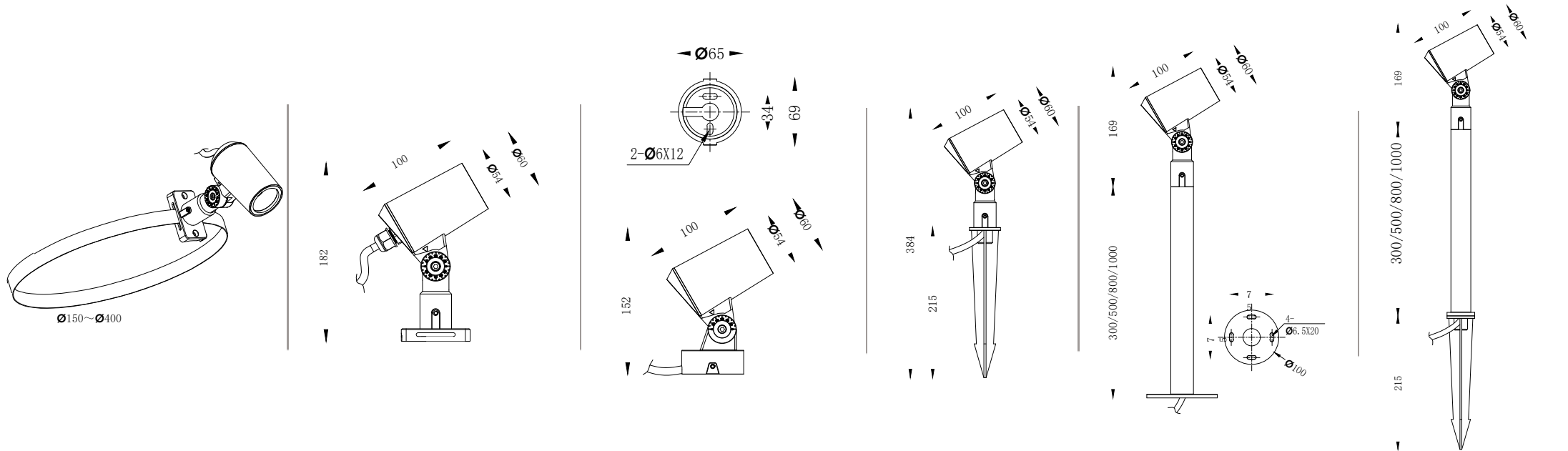


Beam Angle



Technical Drawing

Dia: 60mm



Tree Mount

Wall Mount

Surface Mounted

Spike Mount

Pole Mounted

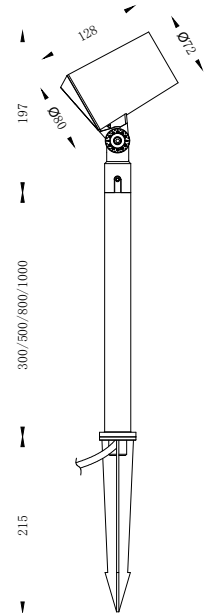
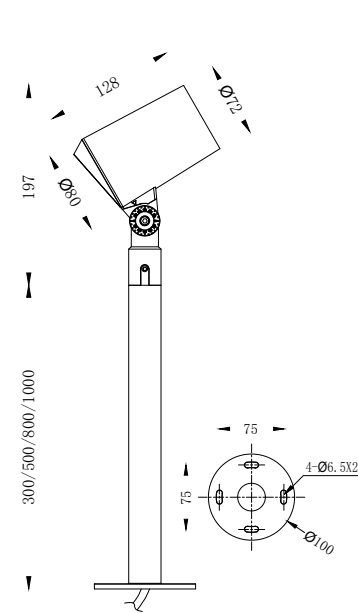
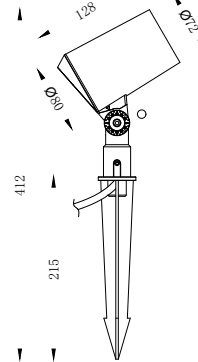
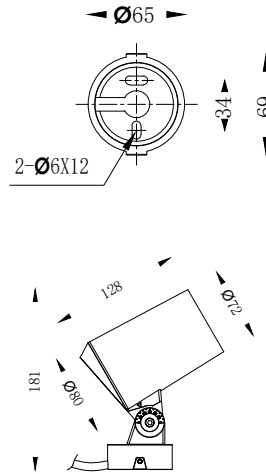
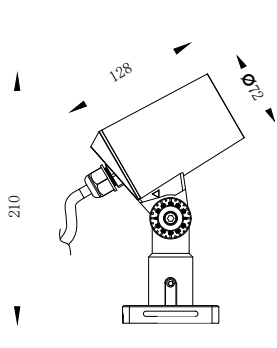
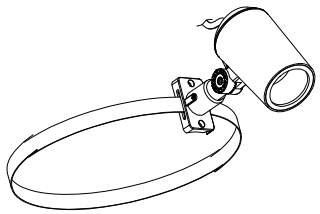
Pole & Spike Mount



Unit:mm

Technical Drawing

Dia: 80mm



Tree Mount

Wall Mount

Surface Mounted

Spike Mount

Pole Mounted

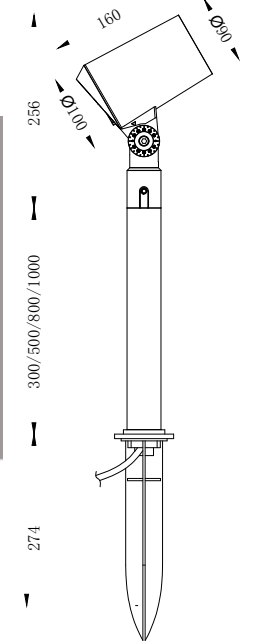
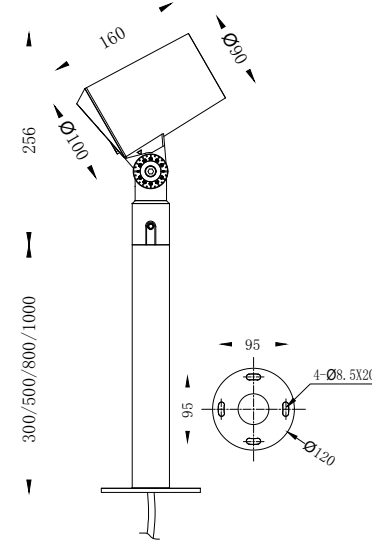
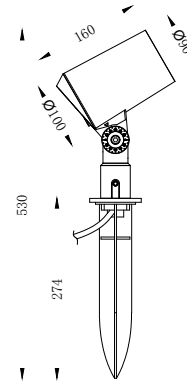
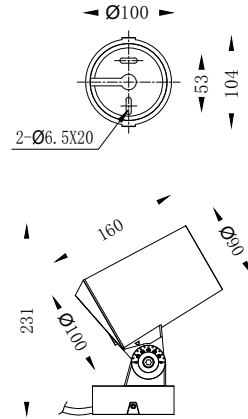
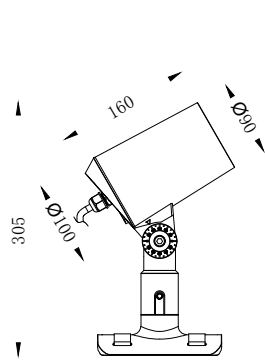
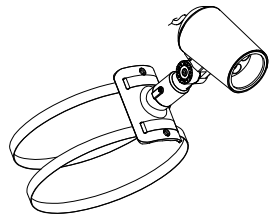
Pole & Spike Mount



Unit:mm

Technical Drawing

Dia: 100mm



Tree Mount

Wall Mount

Surface Mounted

Spike Mount

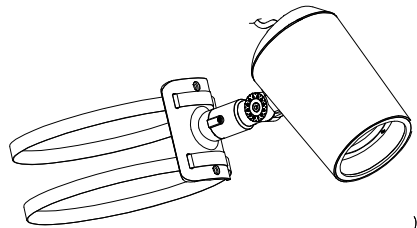
Pole Mounted

Pole & Spike Mount

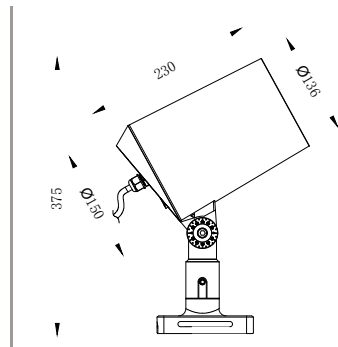


Technical Drawing

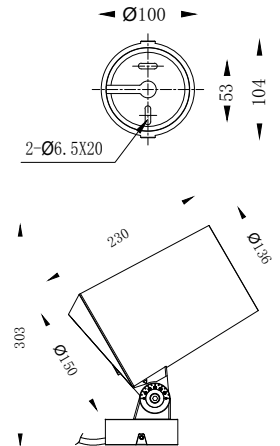
Dia: 150mm



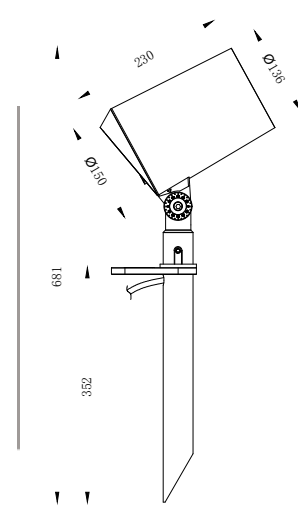
Tree Mount



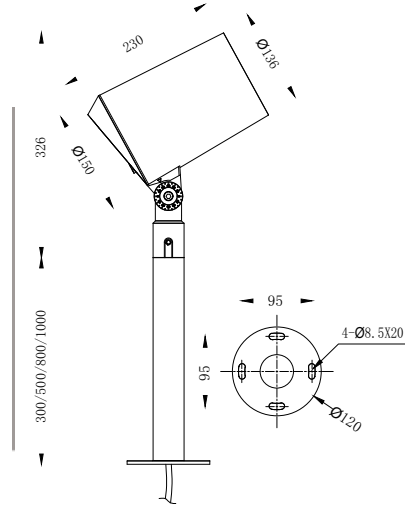
Wall Mount



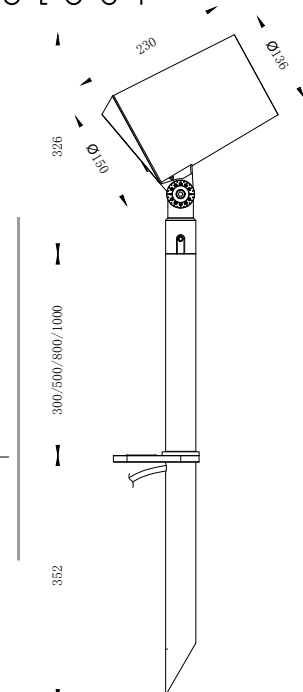
Surface Mounted



Spike Mount



Pole Mounted



Pole & Spike Mount

