




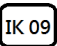
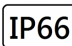





FAIRE

80W-120W



The FAIRE Flood Light is finished by Die-cast aluminium with separated and integrated LED Driver Box , with surface anti-ageing electrostatic spray processing,super resistance to corrosion and rotated bracket, Gaskets in anti-ageing rubber , 5 mm tempered clear Glass and Heat Resisting Cable. It's as well a great alternative to urban furniture due to its IP66 protection rating and IK09 Impact protection. And, It is able to be controlled by ELV, 0-10V and DALI dimming system. LED module: high-power CREE COB CRI>80. LM-80 performance approve >50,000 hours;

Technical Data

Luminaire Type- 安裝方式 Tipo de luminaria	Surface Mounted and Adjustable Type 明裝可調安裝腳 Tipo montado en superficie y ajustable
Power Consumption with Integrated-type LED Driver LED燈具包括內置LED驅動電源功率 Consumo de energía con integrado tipo LED driver	80W @ 12PCS LED CREE COB 100W @ 12PCS LED CREE COB 120W @ 12PCS LED CREE COB
Input Voltage / 輸入電壓 Voltaje de entrada	100-240VAC/50-60HZ
Control Protocol/控制協議 Protocolo de Control	1-10V / Dali/ ELV (Leading Edge)
Power Factor / 功率因數/Factor de potencia	>0.9
Total Harmonic Distortion/總諧波失/Distorsión armónica total	THD<20%
Protection Against Surges/防護措施/PROTECCIÓN CONTRA LAS PROMOCIONES:	Line-Earth:6KV Line-Line:4KV
Light Source Brand-光源品牌-Fuente de luz de marca	CREE COB (Risk group 1 (low risk) from this according to EN 62471-photo biological safety)
"Lumen Maintenance LM-80 Reported by TM-21"	1. L90(10k) = 50,700 hrs 2. L80(10k) > 63,500 hrs 3. L70(10k) > 63,500 hrs
LED Life-LED壽命-La vida del LED	>60,000 hours
Color Temperature and Color 色溫 and 顏色 Temperatura y color del color	2700K / 3000K / 4000K/ 5000K/ 6500K
Color Rendering Index-顯色指數 Índice de reproducción cromática	>70 or >80
MacAdam Ellipses Binning 麥克亞當橢圓分級 Mac Adam binning elipse	Standard Deviation Colour Matching < 2 SCDM 標準偏差配色 < 2 SCDM Coincidencia de color estándar Desviación
Beam Angle 光束角 ángulo de haz	Symmetric Optical Type : 25° Symmetric Optical Type : 60°
luminaire Efficacy 燈具效率 La eficacia de la luminaria	90 lm/w(2700K) @CRI >70 ; 80 lm/w(2700K) @CRI >80 110 lm/w(3000K) @CRI >70 ; 100 lm/w(3000K) @CRI >80 120 lm/w(4000K) @CRI >70 ; 110 lm/w(4000K) @CRI >80 125 lm/w(5000K) @CRI >70 ; 115 lm/w(5000K) @CRI >80 125 lm/w(6500K) @CRI >70 ; 115 lm/w(6500K) @CRI >80
LED Source Luminous Efficacy LED光源光效 Fuente luminosa LED Eficacia	134 lm/w(2700K) @CRI >70 ; 134 lm/w(2700K) @CRI >80 143 lm/w(3000K) @CRI >70 ; 134 lm/w(3000K) @CRI >80 163 lm/w(4000K) @CRI >70 ; 143 lm/w(4000K) @CRI >80 171 lm/w(5000K) @CRI >70 ; 153 lm/w(5000K) @CRI >80 171 lm/w(6500K) @CRI >70 ; 153 lm/w(6500K) @CRI >80
Housing materials 外殼材料 Materiales de la carcasa	Die-cast aluminium and Tempered glass and Hot deep galvanized steel fixing bracket. 壓鑄鋁和鋼化玻璃和熱鍍鋅鋼固定支架 Aluminio fundido a presión y de vidrio templado y Soporte de fijación de acero galvanizado profundo.
Housing Color 外殼顏色 color de la carcasa	Polyester powders Coating (RAL 9006 Silver). 聚酯粉末塗料(RAL 9006 銀灰色) Polvos de poliéster Revestimiento (RAL 9006 Plata).
Ingress Protection-防護等級 Protección de ingreso	IP66
Mech impact protection 機械衝擊保護 Protección contra impactos mecánicos	IK09
Operating Temperature Range / 工作溫度範圍 Rango de temperatura de funcionamiento	-20 °C / +60 °C / -4 °F / +124 °F
Operating Humidity -工作濕度 Humedad de funcionamiento	0~90%, non-condensing-不結霜 sin condensación
Dimension 尺寸 Dimensión	Dia 360mm x H: 235mm
Net Weight /Gross Weight 淨重/毛重 Peso Neto / Peso bruto	8.2kg / 8.9kg @80W 8.5kg / 9.2kg @100W 8.5kg / 9.2kg @120W
Packing box size 包裝箱尺寸 Tamaño de la caja de embalaje	385 x 385 x 280mm Remark(760pcs / 20"container or 1558pcs / 40"container)
Certificate Standard Complied 符合安規標準 estándar certificado de cumplimiento	LED Luminaries: IEC 60598-1;IEC 60598-2-1;IEC62471;RoHS LED Driver: IEC/EN 61347-1; IEC/EN 61347-2-13; IEC/EN 62384; IEC/EN 61000-3-2; IEC/EN 61000-3-3;IEC/EN61574;EN 55015 LED Module: IEC/EN 62031;IEC/EN 60838-2;IEC/EN 62471;LM-80-08;TM-21
Certification-認證-Certificación	         

Project	Fixture#	Date
		Firm



Ordering Information

Choose the option that suits your need and write its corresponding code on the appropriate line to form the product code.

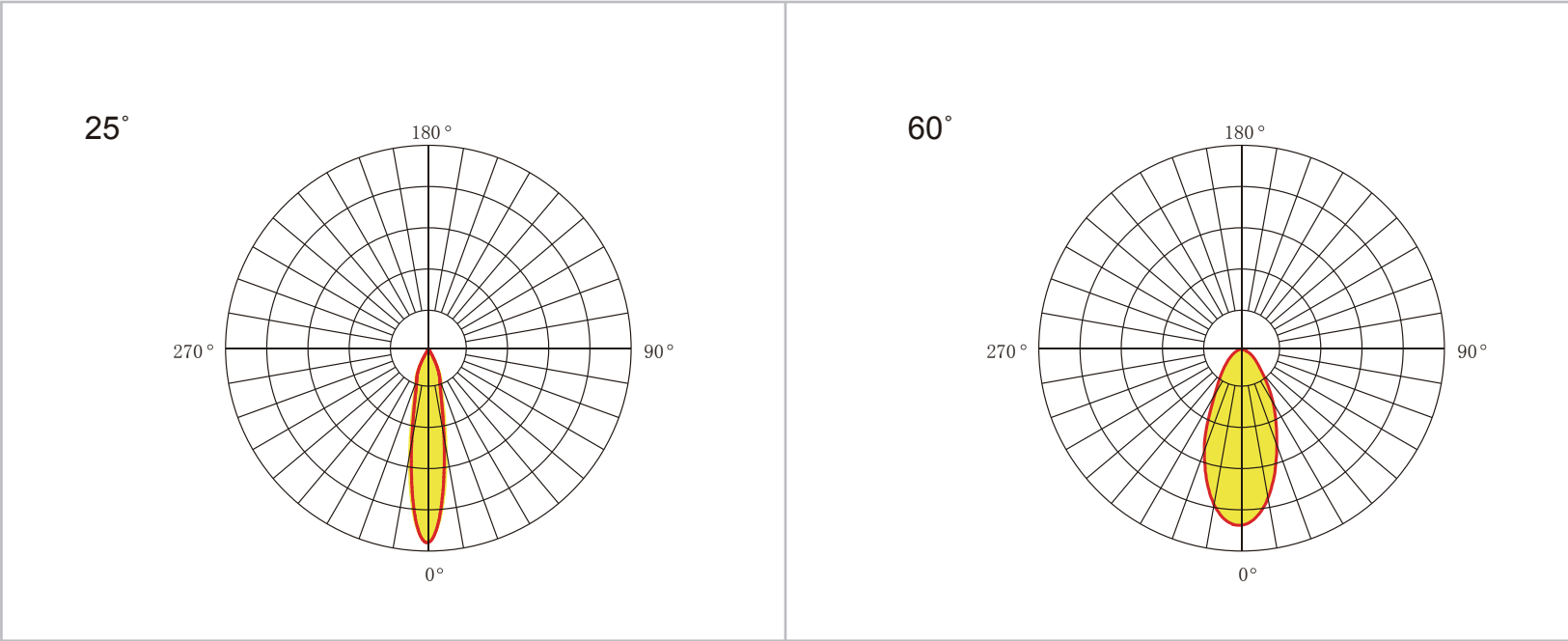
Example product code: [FAIRE-80W-SW-S-30-70](#)

FAIRE - - - - -

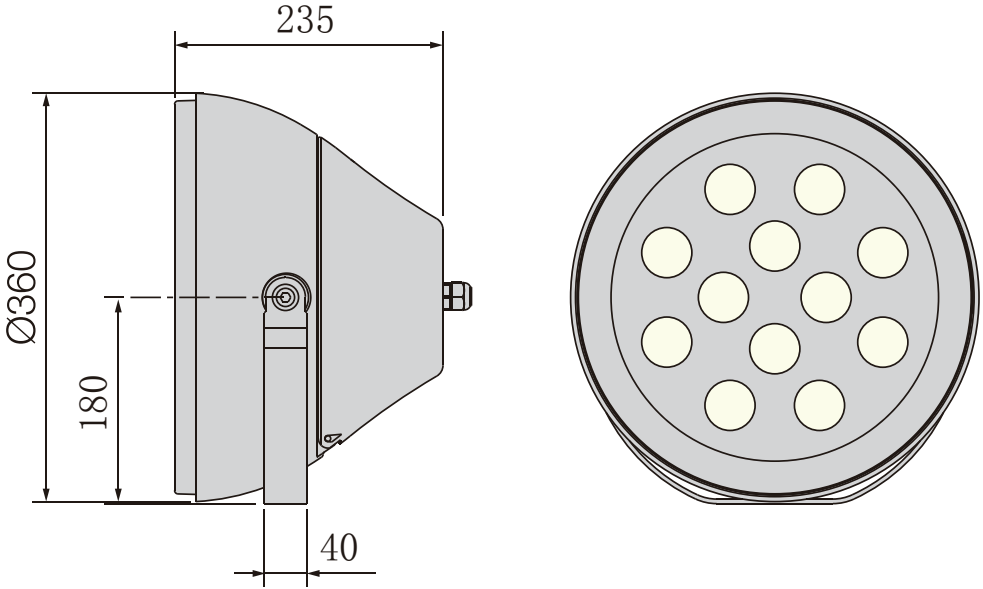
POWER CONSUMPTION
LED DRIVER TYPE
BEAM ANGLE
COLOR TEMPERATURE
COLOR RENDERING INDEX

POWER CONSUMPTION		LED DRIVER TYPE		BEAM ANGLE		COLOR TEMPERATURE		COLOR RENDERING INDEX	
Code	Description	Code	Description	Code	Description	Code	Description	Code	Description
80W	80W	SW	ON/OFF Switch	S	Symmetric Optical Type : 25°	27	2700K	70	>70
100W	100W	ELV	ELV Leading Ledge Control	M	Symmetric Optical Type : 60°	30	3000K	80	>80
120W	120W	AN	Analog 1-10V dimming			40	4000K		
		DA	DALI diming			50	5000K		
						65	6500K		

BEAM ANGLE



Technical Drawing



Unit: mm

Wiring Drawing

