

DIMON
TECHNOLOGY

GULLOP

30W-80W



GULLOP

30W-80W



The Garden Light GULLOP is finished by Die-cast aluminium with separated and integrated LED Driver Box , with surface anti-ageing electrostatic spray processing,super resistance to corrosion and rotated bracket, Gaskets in anti-aging rubber , 5 mm tempered clear Glass and Heat Resisting Cable. It's as well a great alternative to urban furniture due to its IP66 protection rating and IK08 Impact protection. Adopt modular light distribution Lens and super clear tempered glass. Button design for opening LED driver box for easy power circuit connection. And, It is able to be controlled by ELV, 0-10V,DALI,Zigbee dimming system. LED module: high-power CREE CRI>70 up to 140lm/w . LM-80 performance approve >50,000 hours; Fixing:Top fitting Ø60mm.

Technical Data

Luminaire Type-
安裝方式
Tipo de luminaria

Dia 60mm Pole Mounted: 3-6m
適合直徑60mm燈杆安裝頂部安裝: 3-6m
Dia 60mm montado en poste: 3-6m

Power Consumption with LED Driver LED燈具包括LED驅動電源功率 Consumo de energía con controlador de LED	30W 40W 60W 80W
Input Voltage / 輸入電壓 Voltaje de entrada	100 ~ 240VAC (50~60HZ)
Control Protocol/控制協議 Protocolo de Control	SW: ON/OFF Switch Driver DA: Dali Dimming Driver RDM : RDM Dimming Driver MS: Motion Sensor AN: 1-10V Dimming Driver DMX: DMX 512 Dimming Driver Zl: ZIGBEE Wireless Control DS: Daylight Sensor
Power Factor / 功率因數/Factor de potencia	PF>0.95
Total Harmonic Distortion/總諧波失/Distorsión armónica total	THD<18%
Protection Against Surges/防護措施/PROTECCIÓN CONTRA LAS PROMOCIONES:	Line-Earth:6KV Line-Line:4KV
Light Source Brand-光源品牌-Fuente de luz de marca	CREE
"Lumen Maintenance LM-80 Reported by TM-21"	L70 > 45,000 Hours
LED Life-LED壽命-La vida del LED	>50,000 hours
Color Temperature 色溫 Temperatura y color	2700K / 3000K / 4000K/ 5000K/ 6500K
Color Rendering Index-顯色指數 Índice de reproducción cromática	>80
MacAdam Ellipses Binning 麥克亞當橢圓分級 Mac Adam binning elipse	Standard Deviation Colour Matching 3 SCDM 標準偏差配色 3 SCDM Coincidencia de color estándar Desviación
Beam Angle 光束角 ángulo de haz	Symmetric Optical Type :T1 Asymmetric Optical Type :T2 Asymmetric Optical Type :T3 Asymmetric Optical Type :T4
Luminaire Efficacy燈具效率 La eficacia de la luminaria	100m/w(2700K) 100m/w(3000K) 120m/w(4000K) 130m/w(5000K) 130m/w(6500K)
LED Source Luminous Efficacy LED光源光效 Fuente luminosa LED Eficacia	130m/w(2700K) 130m/w(3000K) 150m/w(4000K) 160m/w(5000K) 160m/w(6500K)
Housing materials 外殼材料 Materiales de la carcasa	Die-cast aluminium and Tempered glass 壓鑄鋁和鋼化玻璃 Aluminio fundido a presión y Vidrio templado
Housing Color 外殼顏色 color de la carcasa	Polyester powders Coating (Mat gray RAL 9007/9005). 聚酯粉末塗料(RAL 9007/9005灰色) Polvos de poliéster Revestimiento (Gris mate RAL 9007/9005).
Ingress Protection-防護等級 Protección de ingreso	IP66 - (IEC 60529)
Mech impact protection 機械衝擊保護 Protección contra impactos mecánicos	IK08
Operating Temperature Range / 工作溫度範圍 Rango de temperatura de función ambiente	-30 °C / +50 °C
Operating Humidity -工作濕度 Humedad de funcionamiento	0~90%, non-condensing-不結霜 sin condensación
Installation Height 安裝高度Altura de montaje	3-6 M
Dimension 尺寸 Dimensión	Dia 490 x H: 565 mm
Net Weight /Gross Weight 淨重/毛重 Peso Neto / Peso bruto	7.2kg / 8.2 kg @ Body 1.5kg / 1.7 kg @ Bracket
Certificate Standard Complied 符合安規標準 estándar certificado de cumplimiento	LED Luminaries: IEC/EN 60598-1 ; IEC/EN 60598-2-3; IEC TR 62778; IEC 62031 LED Driver: IEC 61347-1; IEC 61347-2-13; EN 55015; IEC 61000-3-2; IEC 61000-3-3; IEC 61547;EN 62384

Certification-認證-Certificación



Project	Fixture#	Date
		Firm



Ordering Information

Choose the option that suits your need and write its corresponding code on the appropriate line to form the product code.

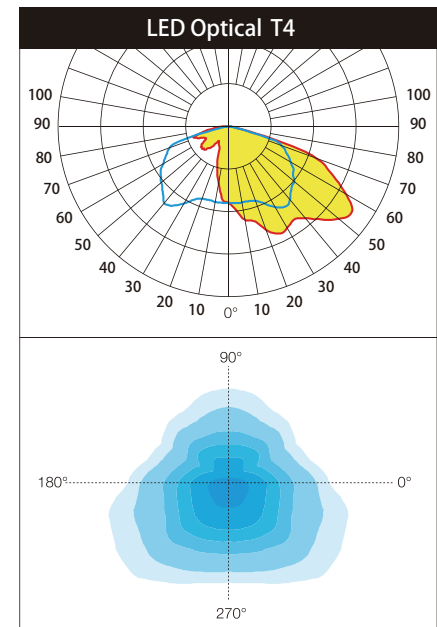
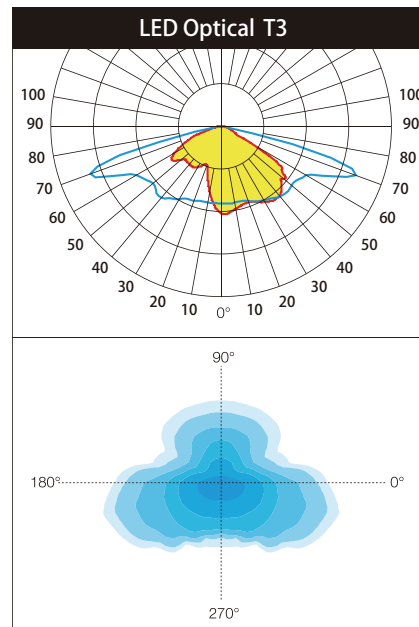
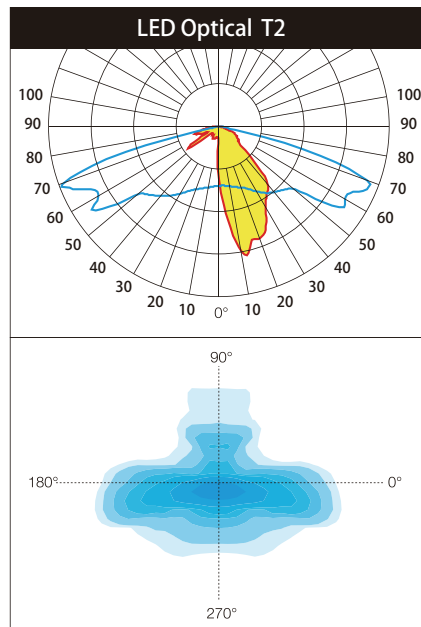
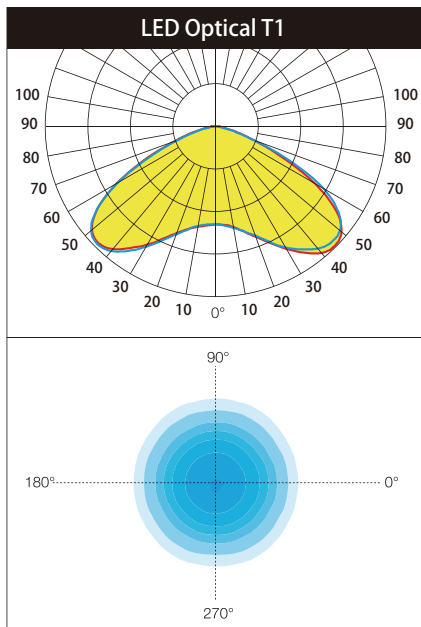
Example product code: [GULLOP-80W](#)

GULLOP - -

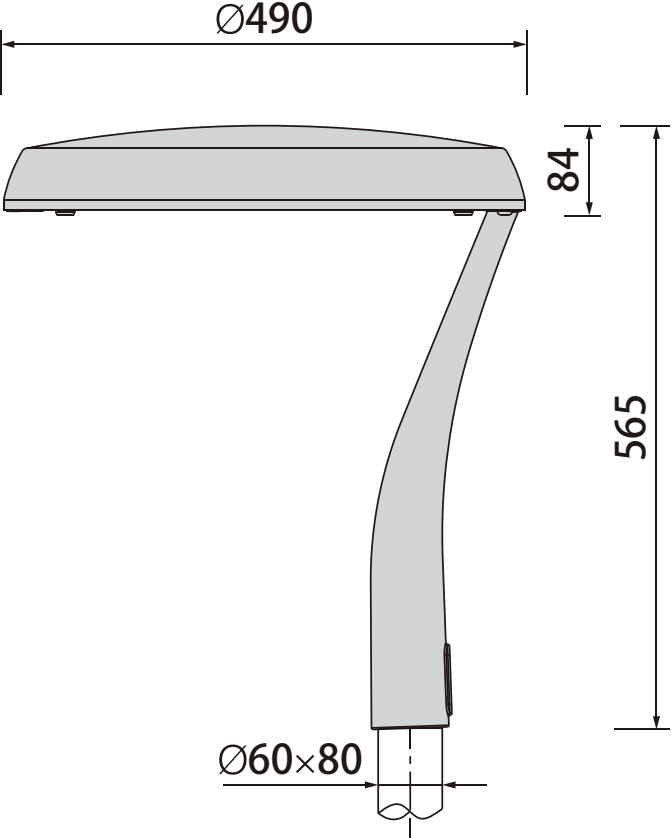
POWER
CONSUMPTION

POWER CONSUMPTION	
Code	Description
30W	30W
40W	40W
60W	60W
80W	80W

BEAM ANGLE



Technical Drawing



Unit: mm