

## HABEE-EM

Emergency Light 300W Max IP65



CB



ZigBee®

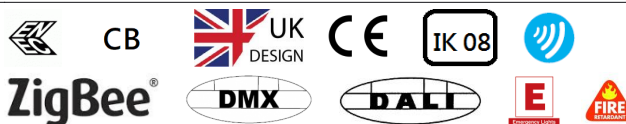


- Suitable for Maintained or Non-maintained luminaires.
- Electronic charge system.
- Deep discharge protection.
- Short-circuit proof battery connection.
- Automatic shutdown protection if the LED load is out of range.
- Simple wiring / installation.
- 2 hours or 3hours emergency backup with either Ni-MH battery or Ni-Cd battery
- Provided with a LED for indication when battery charge is in process.
- Tested in accordance with latest local requirement PPA/104(A) (4th Revision).

## Technical Data

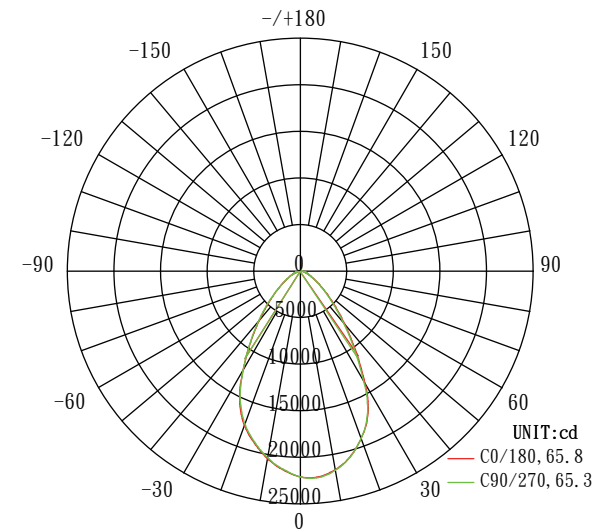
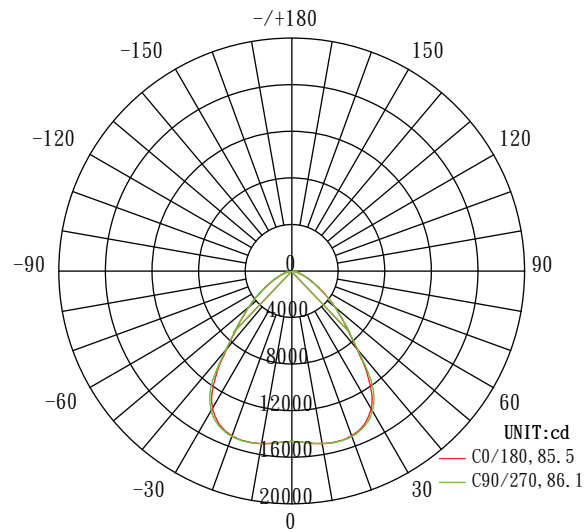
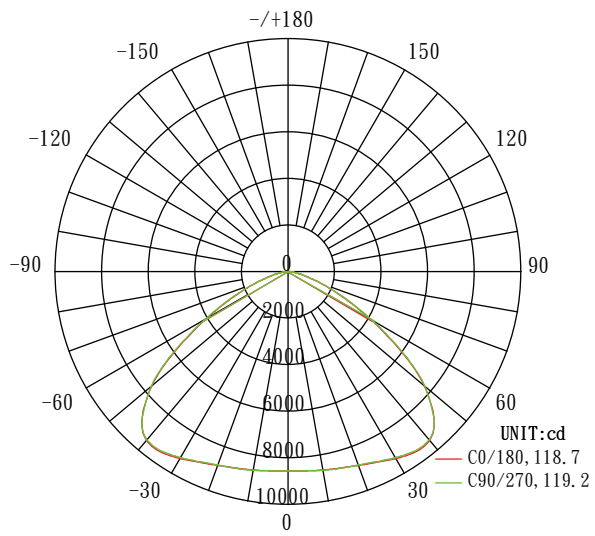
Luminaire Type- 安裝方式 Tipo de luminaria	Mounting by Bracket or Hanging. 安裝支架固定或者吊裝 Soporte de montaje fijo o elevación				
Power Consumption with LED Driver LED燈具包括LED驅動電源功率 Consumo de energía con controlador de LED	65W 200W	85W 225W	100W 240W	120W 300W	150W
Input Voltage / 輸入電壓 Voltaje de entrada	100-240VAC/50-60HZ 100-277V AC/50-60HZ				
Control Protocol/控制協議/Protocolo de Control	SW: ON/OFF Switch Driver DA: Dali Dimming Driver RDM : RDM Dimming Driver MS: Motion Sensor		AN: 1-10V Dimming Driver DMX: DMX 512 Dimming Driver ZI: ZIGBEE Wireless Control DS: Daylight Sensor		
Power Factor / 功率因數/Factor de potencia	PF>0.93				
Total Harmonic Distortion/總諧波失/Distorsión armónica total	THD				
Protection Against Surgers/防護措施/PROTECCIÓN CONTRA LAS PROMOCIONES:	6kV line-line,4kV line-earth				
Light Source Brand-光源品牌-Fuente de luz de marca	LUMILEDS LED				
"Lumen Maintenance LM-80 Reported by TM-21"	L70 > 45,000 Hours				
LED Life-LED壽命-La vida del LED	>50,000 hours				
Color Temperature 色溫 Temperatura y color	30: (3000K)	40: (4000K)	50: (5000K)		
Color Rendering Index-顯色指數 Índice de reproducción cromática	70 : CRI>70 80 : CRI>80				
MacAdam Ellipses Binning 麥克亞當橢圓分級 Mac Adam binning ellipse	Standard Deviation Colour Matching < 3 SDCM 標準偏差配色< 3 SDCM Coincidencia de color estándar Desviación < 3 SDCM				
Beam Angle光東角ángulo de haz	M: 60°	L: 90°	W: 120°		
Luminaire Efficacy燈具效率 La eficacia de la luminaria	130 Lm/w(3000K)	140 Lm/w(4000K)	150 Lm/w(5000K)		
LED Source Luminous Efficacy LED光源光效 Fuente luminosa LED Eficacia	160 Lm/w(3000K)	170 Lm/w(4000K)	180 Lm/w(5000K)		
Housing materials外殼材料 Materiales de la carcasa	Die-cast aluminium and Polycarbonate 壓鑄鋁和聚碳酸酯 Aluminio fundido a presión y policarbonato				
Housing Color外殼顏色color de la carcasa	Matte Black 啞光黑色 Negro mate				
Ingress Protection-防護等級 Protección de ingreso	IP65 - (IEC 60529)				
Operating Temperature Range / 工作溫度範圍 Rango de temperatura de funcionamiento	-30 °C / +50 °C				
Mech impact protection機械衝擊保護 Protección contra impactos mecánico	IK08				
Storage Temperature/儲藏溫度 Temperatura de almacenamiento	-40 °C / +70 °C				
Operating Humidity -工作濕度Humedad de funcionamiento	0~90%, non-condensing-不結霜sin condensación				
Dimension/尺寸/Dimensión	Dia 360 x 186mm @ 65W-240W			Dia 360 x 190mm @ 300W	
Net Weight 淨重 Peso Neto	3.9 kg @ 65W & 85W 100W & 120W & 150W ; 4.3 kg @ 200W & 225W & 240W ; 5.1 kg @ 300W				
Certificate Standard Complied 符合安規標準 estándar certificado de cumplimiento	LED Luminaries: IEC 60598-1:2017 ; IEC 60598-2-1:1987; IEC TR 62778:2014 (RG1); IEC 62031:2014(LED Modul); IEC 61058-2000 (Sensor); ROHS LED Driver: IEC/EN 61347-1; IEC/EN 61347-2-13; IEC/EN 61347-2-13; EN 55015; EN 61000-3-2;EN 61000-3-3; EN 61547;EN 62384				

Certification-認證-Certificación



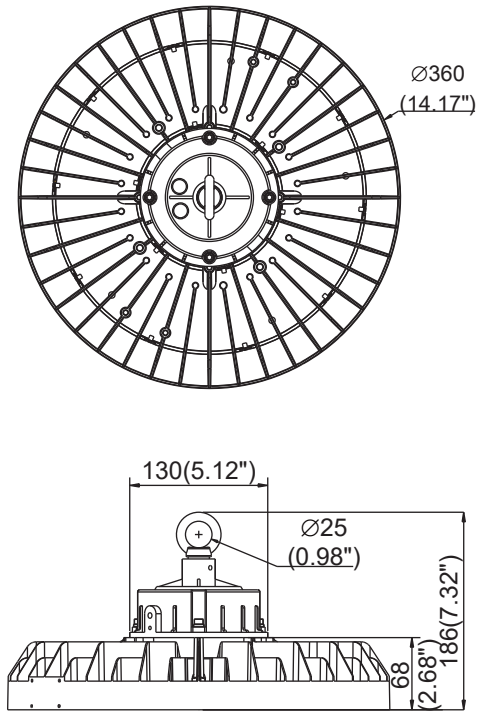


# BEAM ANGLE

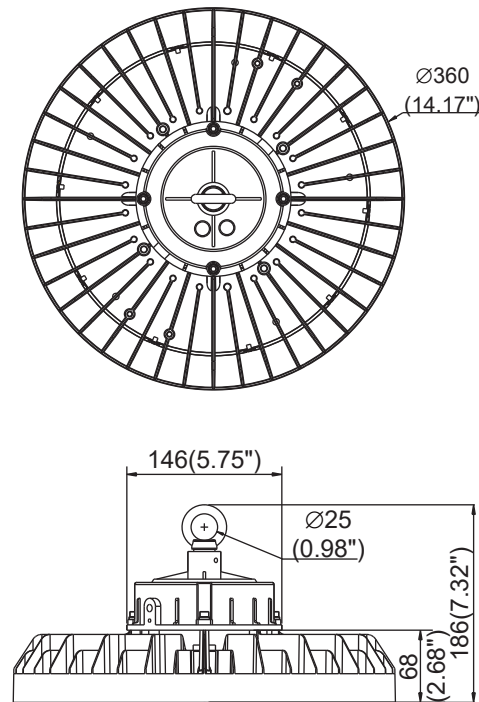




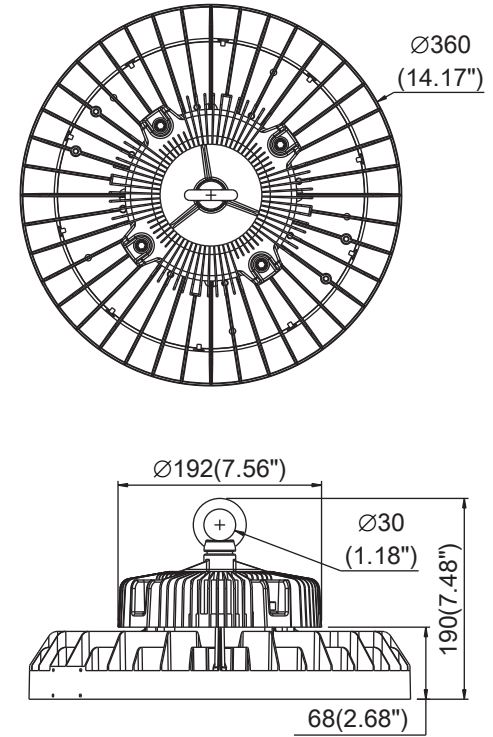
# Technical Drawing



65W/85W/100W/120W/150W



200W/225W/240W



300W

Unit: mm

# Accessories



Aluminum Reflector



PC cristal Reflector



Safety Chain