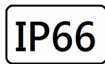


HALLEY



Modular 480W Max IP66



With the large light-emitting surface, the fixture delivers high uniformity light and excellent performance of low glare. It's UGR value could be lower than 19 with anti-glare frame. It is ideal for sports facility applications, and also a perfect solution for indoor sports halls with DIN 57710-13 Sports hall ball tests.

- High-protective structure design, IP66 and IK10.
- Modular design
- Good performance in anti-glare control
- Flexible intelligent control for more energy saving
- Multiple mounting options

Technical Data

Installation method 安裝方式/ Metodo de instalacion	Mounting by Bracket or Hanging by ring 安裝支架固定或者吊裝 Soporte de montaje fijo o elevación			
Power Consumption with LED Driver LED燈具包括LED驅動電源功率 Consumo de energía con controlador de LED	• 340×325×60mm : 100W	150W		
	• 680×325×60mm : 200W	240W	300W	
	• 1020×325×60mm : 400W	480W		
Input Voltage / 輸入電壓 Voltaje de entrada	220-240VAC/50-60HZ			
Control Protocol/控制協議/Protocolo de Control	SW: ON/OFF Switch Driver DA: DALI Dimming Driver MS: Motion Sensor	AN: 1-10V Dimming Driver ZI: ZIGBEE Wireless Control DS: Daylight Sensor		
Power Factor / 功率因數/Factor de potencia	PF>0.9			
Total Harmonic Distortion/總諧波失/Distorsión armónica total	THD <20%			
Protection Against Surges/防護措施/PROTECCIÓN CONTRA LAS PROMOCIONES:	6kV line-line, 10kV line-earth			
Light Source Brand-光源品牌-Fuente de luz de marca	SEOUL LED			
"Lumen Maintenance LM-80 Reported by TM-21"	L70 > 54,000 Hours			
LED Life-LED壽命-La vida del LED	>100,000 hours			
Color Temperature 色溫 Temperatura y color	3000K 4000K 5000K 6500K			
Color Rendering Index-顯色指數 Índice de reproducción cromática	70 : CRI>70 80 : CRI>80			
MacAdam Ellipses Binning 麥克亞當橢圓分級 Mac Adam binning elipse	Standard Deviation Colour Matching < 3 SDCM 標準偏差配色< 3 SDCM Coincidencia de color estándar Desviación < 3 SDCM			
Beam Angle 光束角 ángulo de haz	Refer to Beam Angle List			
Luminaire Efficacy 燈具效率 La eficacia de la luminaria	CRI:80 130 Lm/w(3000K)	140 Lm/w(4000K)	150 Lm/w(5000K)	150 Lm/w(6500K)
	CRI:70 150 Lm/w(3000K)	160 Lm/w(4000K)	170 Lm/w(5000K)	170 Lm/w(6500K)
LED Source Luminous Efficacy LED光源光效 Fuente luminosa LED Eficacia	CRI:80 160 Lm/w(3000K)	170 Lm/w(4000K)	180 Lm/w(5000K)	180 Lm/w(6500K)
	CRI:70 180 Lm/w(3000K)	190 Lm/w(4000K)	200 Lm/w(5000K)	200 Lm/w(6500K)
Housing materials 外殼材料 Materiales de la carcasa	Die-cast aluminium and Polycarbonate Lens 壓鑄鋁和聚碳酸酯鏡片 Aluminio fundido a presión y lente de policarbonato			
Housing Color 外殼顏色 color de la carcasa	Powder coating-Silver grey 粉末塗料-銀灰色 Recubrimiento en polvo-Gris plateado			
Ingress Protection-防護等級 Protección de ingreso	IP66			
Operating Temperature Range / 工作溫度範圍 Rango de temperatura de funcionamiento	-20 °C / +50 °C			
Mech impact protection 機械衝擊保護 Protección contra impactos mecánico	IK10 and Ball proof test(DIN 57710-13)passed 通過防球測試[DIN 57710-13]			
Storage Temperature/儲藏溫度 Temperatura de almacenamiento	-40 °C / +70 °C			
Operating Humidity / 工作濕度 / Humedad de funcionamiento	0~100%, non-condensing-不結霜 sin condensación			
Product Dimension / 產品尺寸 Dimensión del producto	Refer to Drawing			
Luminaire Net Weight (±0.3kg) 燈具淨重 (±0.3kg) Peso neto de la luminaria (±0,3 kg)	340×325×60mm: 3.7 KG	80×325×60mm : 6.8 KG (7.8KG for 300W)		
	1020×325×60mm: 11.1KG			
Certificate Standard Complied 符合安規標準 estándar certificado de cumplimiento	LED Luminaries: IEC 60598-1:2017 ; IEC 60598-2-1:1987; IEC TR 62778:2014 (RG1); IEC 62031:2014(LED Modul); IEC 61058-2000 (Sensor); ROHS LED Driver: IEC/EN 61347-1; IEC/EN 61347-2-13; IEC/EN 61347-2-13; EN 55015; EN 61000-3-2;EN 61000-3-3; EN 61547;EN 62384			

Certification-認證-Certificación



ZigBee®

Project	Fixture#	Date
		Firm

Ordering Information

Choose the option that suits your need and write its corresponding code on the appropriate line to form the product code.

Example product code: [HALLEY-150W](#)

HALLEY - -

POWER
CONSUMPTION

POWER CONSUMPTION	
Code	Description
100W	100W @ 340×325×60mm
150W	150W @ 340×325×60mm
200W	200W @ 680×325×60mm
240W	240W@680×325×60mm
300W	300W@680×325×60mm
400W	400W@1020×325×60mm
480W	480W@1020×325×60mm



LED Linear High Bay Light
Tennis Court

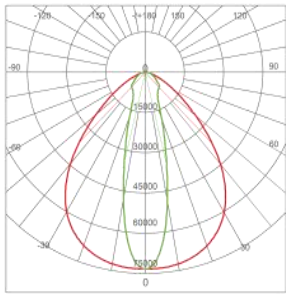


Badminton Lighting

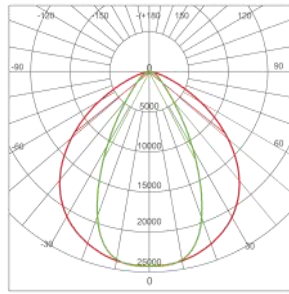


LED Linear High Bay Light
Badminton Court

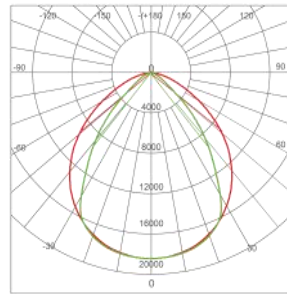
BEAM ANGLE



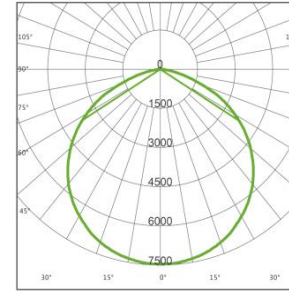
HY401



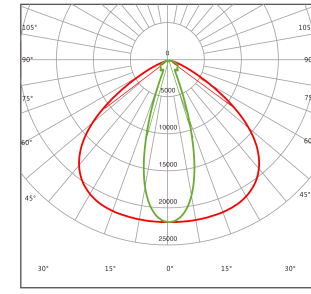
HY402



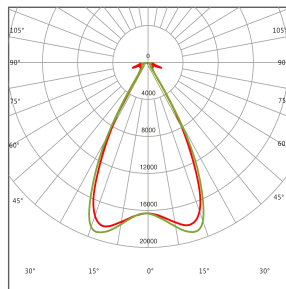
HY403



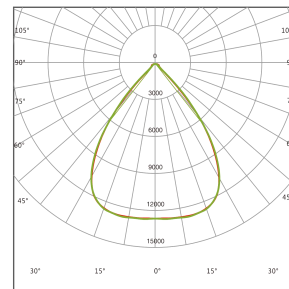
HY404



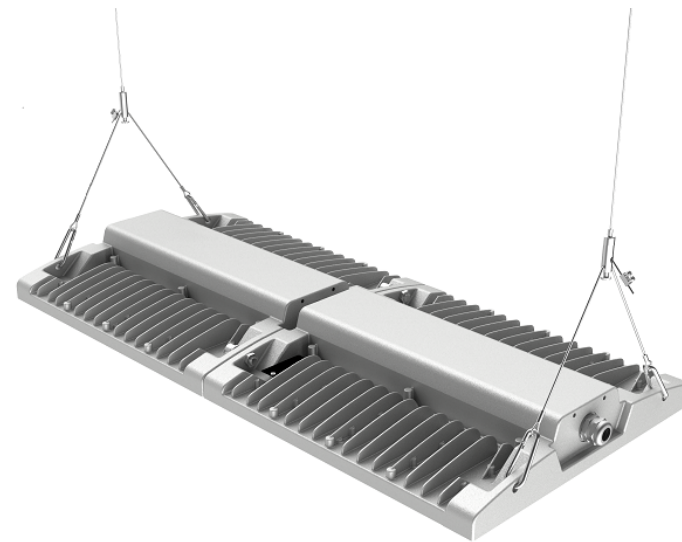
HY407



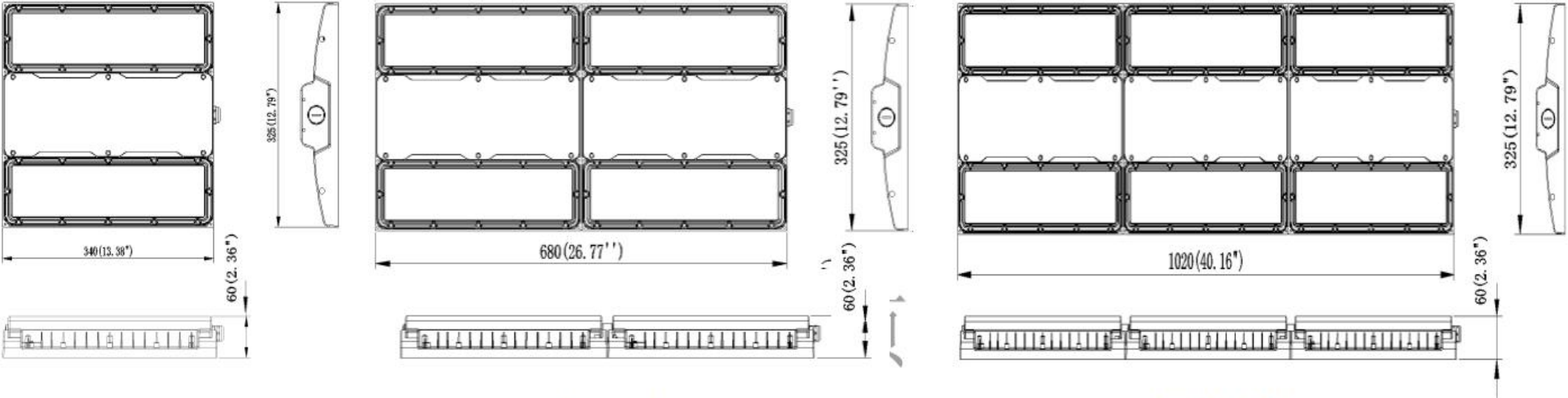
HY901



HY902



Technical Drawing



100W/150W

200W/240W/300W

400W/480W

Mounting Options

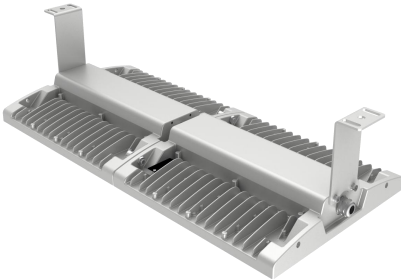
Unit: mm



Suspension mounting



±60deg rotatable bracket mounting



ceiling bracket mounting



safety line



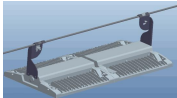

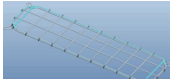




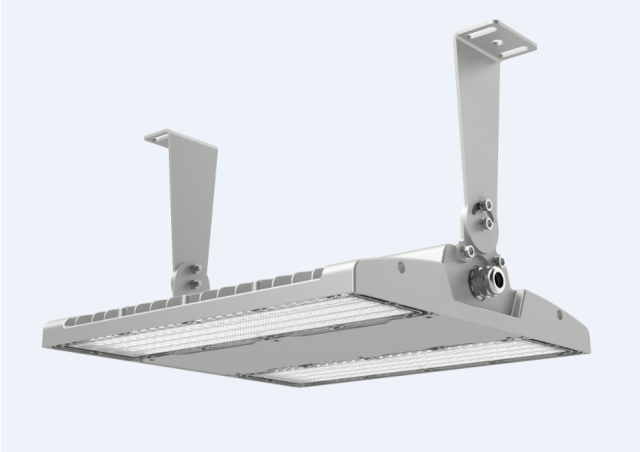
±60deg rotatable bracket



mounting bracket

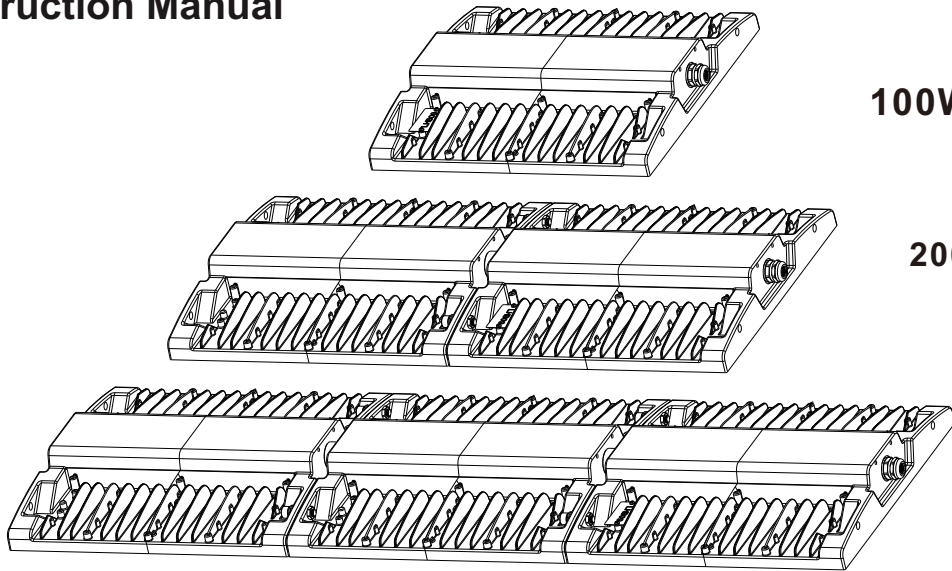
Accessory

Part No.	Picture	Description	Remark
HY-L09-01		±60deg rotatable mount bracket	for 100W-480W
HY-L09-02		Non-adjustable bracket	for 100W-480W
HY-L09-04		suspended mounting bracket	
HY-L09-01		Chain for suspension mounting 1m long	
HYM-L09-01		Protective wire mesh for single module	100W/150W: 1 module(2pcs) 200W/240W/300W: 2 module 400W/480W: 3 module
HYGR-L09-01		anti-glare grid, 28mm deep	100W/150W: 2PCS 200W/240W/300W: 4PCS 400W/480W: 6PCS
HY-L09-02		anti-glare grid, 38mm deep	1PCS/lens, 100W/150W: 2PCS 200W/240W/300W: 4PCS 400W/480W: 6PCS



LED Linear High Bay Light

Instruction Manual



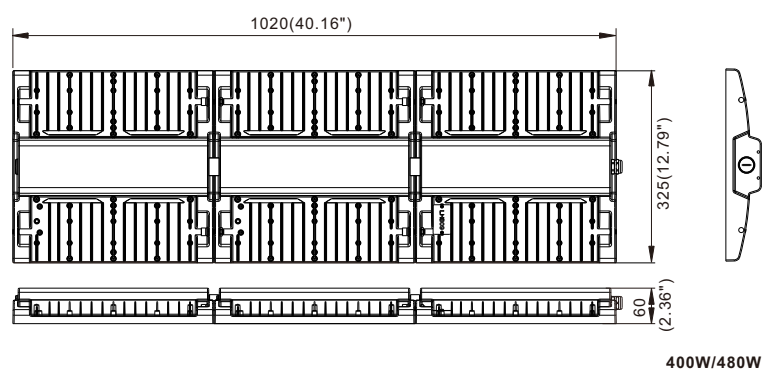
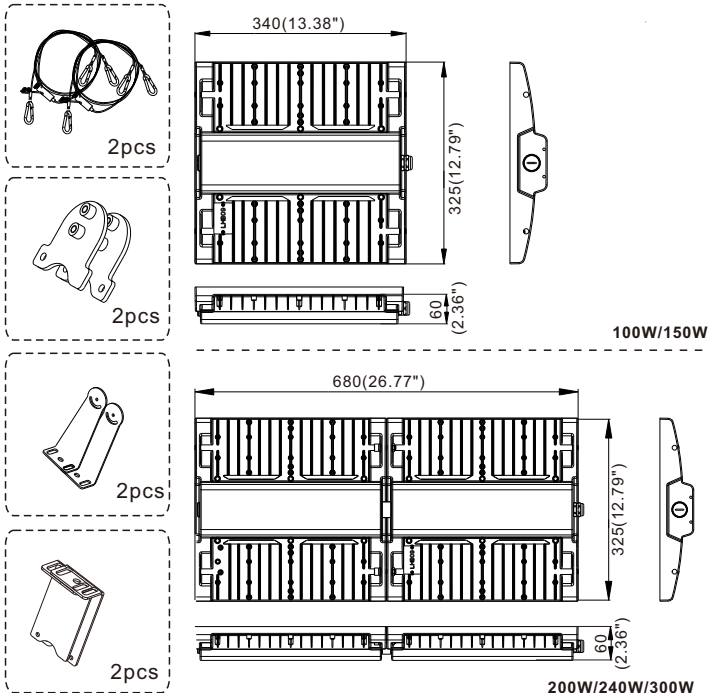
100W/150W

200W/240W/300W

400W/480W

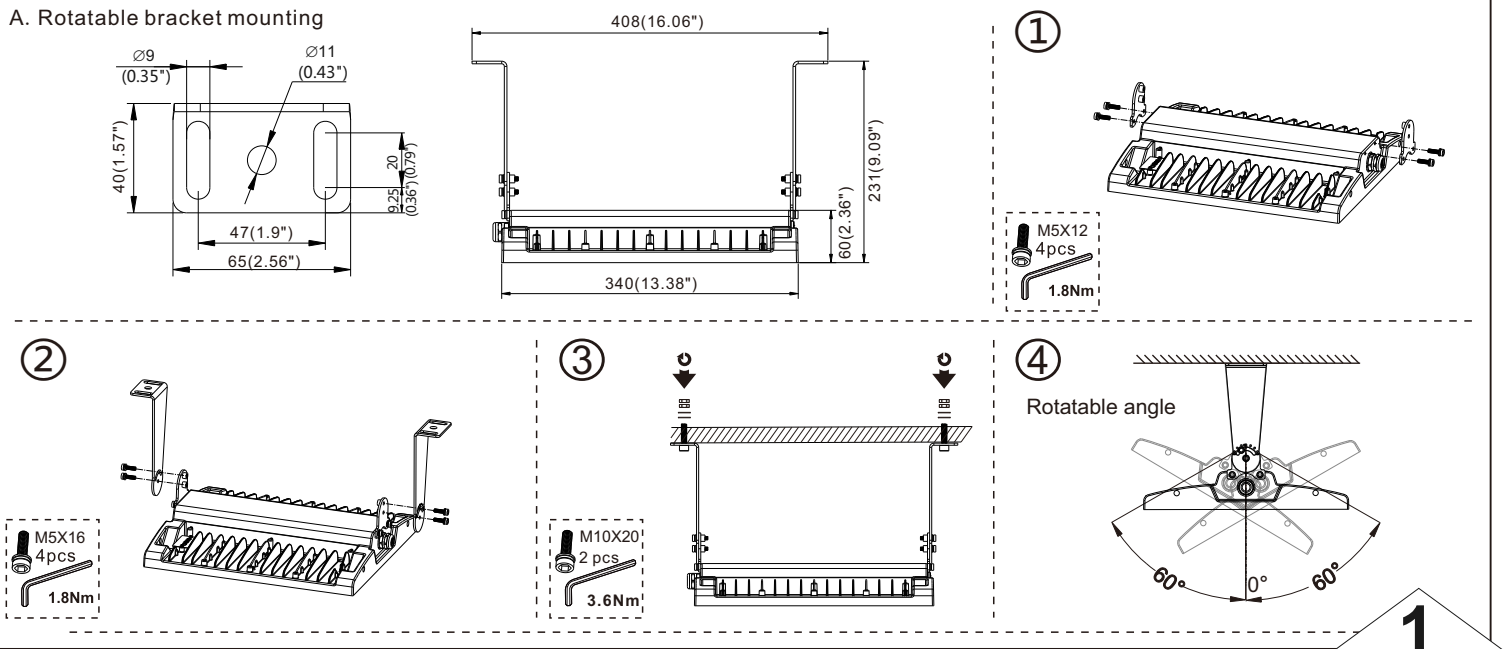


Physical Dimensions (Unit: mm)



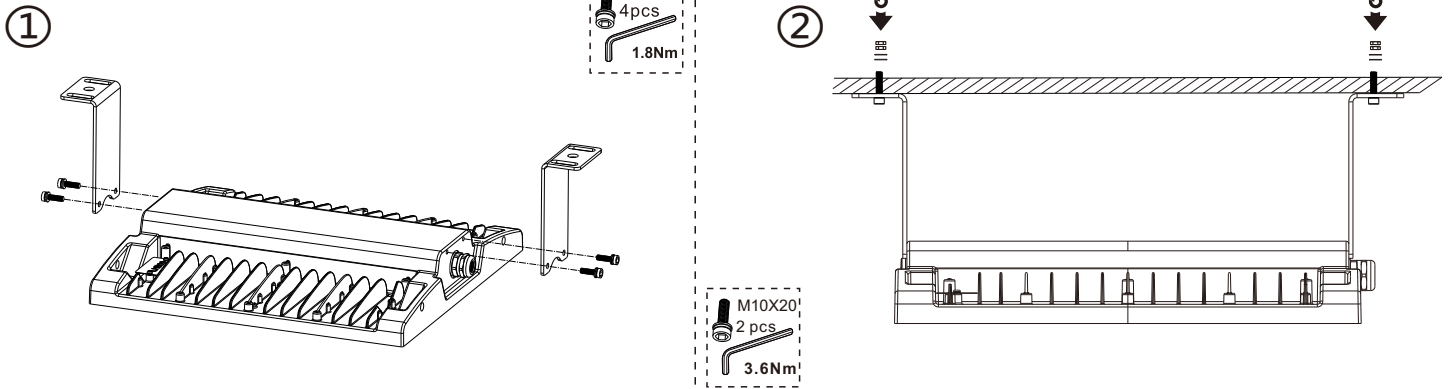
Product Specifications	100W	150W	200W	240W	300W	400W	480W
Size (L x W x H)	340X325X60mm (13.38"x12.79"x2.36")		680x325x60mm (26.77"x12.79"x2.36")			1020x325x60mm (40.16"x12.79"x2.36")	
Weight (Driver included)	3.5±0.3kg (7.71±0.66Lbs)	3.7±0.3kg (8.16±0.66Lbs)	6.7±0.3kg (14.76±0.66Lbs)	6.8±0.3kg (14.98±0.66Lbs)	7.8±0.3kg (17.16±0.66Lbs)	10.8±0.3kg (23.65±0.66Lbs)	11.1±0.3kg (24.42±0.66Lbs)
Input Voltage	220-240VAC						
Working Temperature	-30°C to +50°C (-22°F to +122°F)						
Storing Temperature	-40°C to +70°C (-40°F to +158°F)						

A. Rotatable bracket mounting

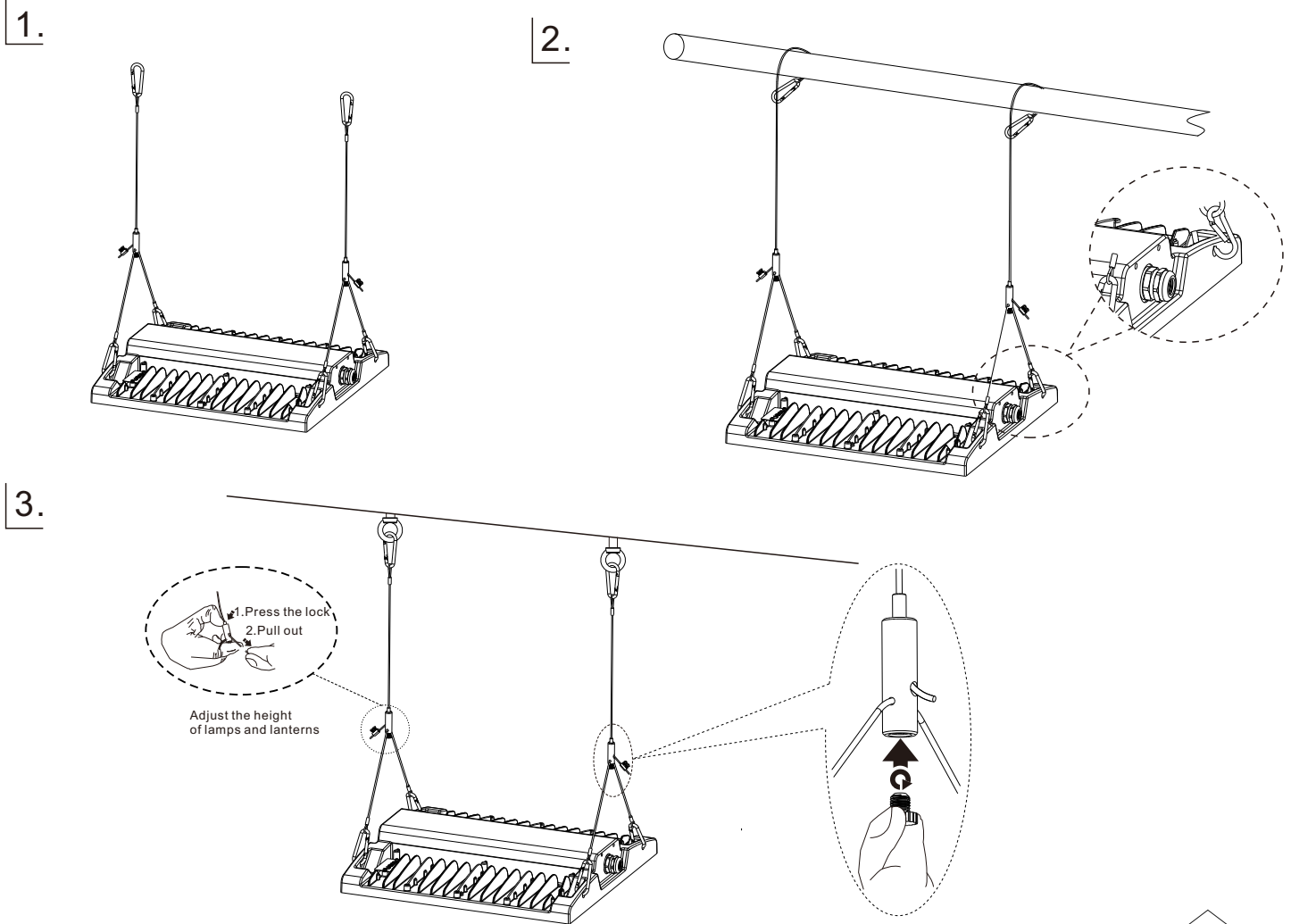


LED Linear High Bay Light

B. Bracket mounting



C. Suspension mounting



2

L	brown	black
N	blue	white
⊕ GND	yellow/green	green

Dimmable

DIM+ / DA1	blue	brown	purple	white
DIM- / DA2	white	blue	gray	black

•if the external flexible cable or cord of this luminaire is damaged, it shall be exclusively replaced by the manufacturer or his service agent or a similar qualified person in order to avoid a hazard.

3