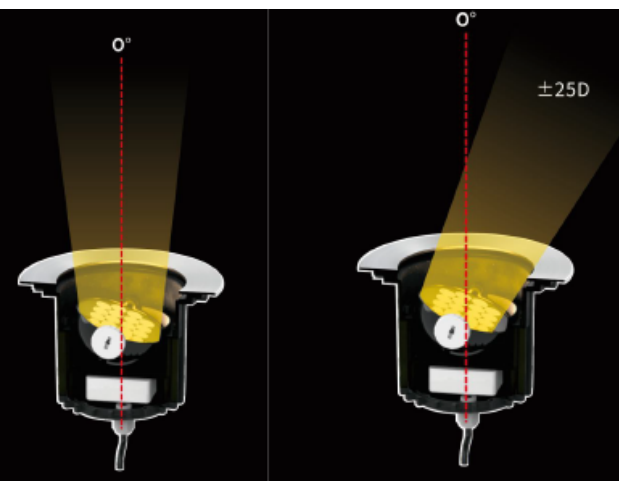
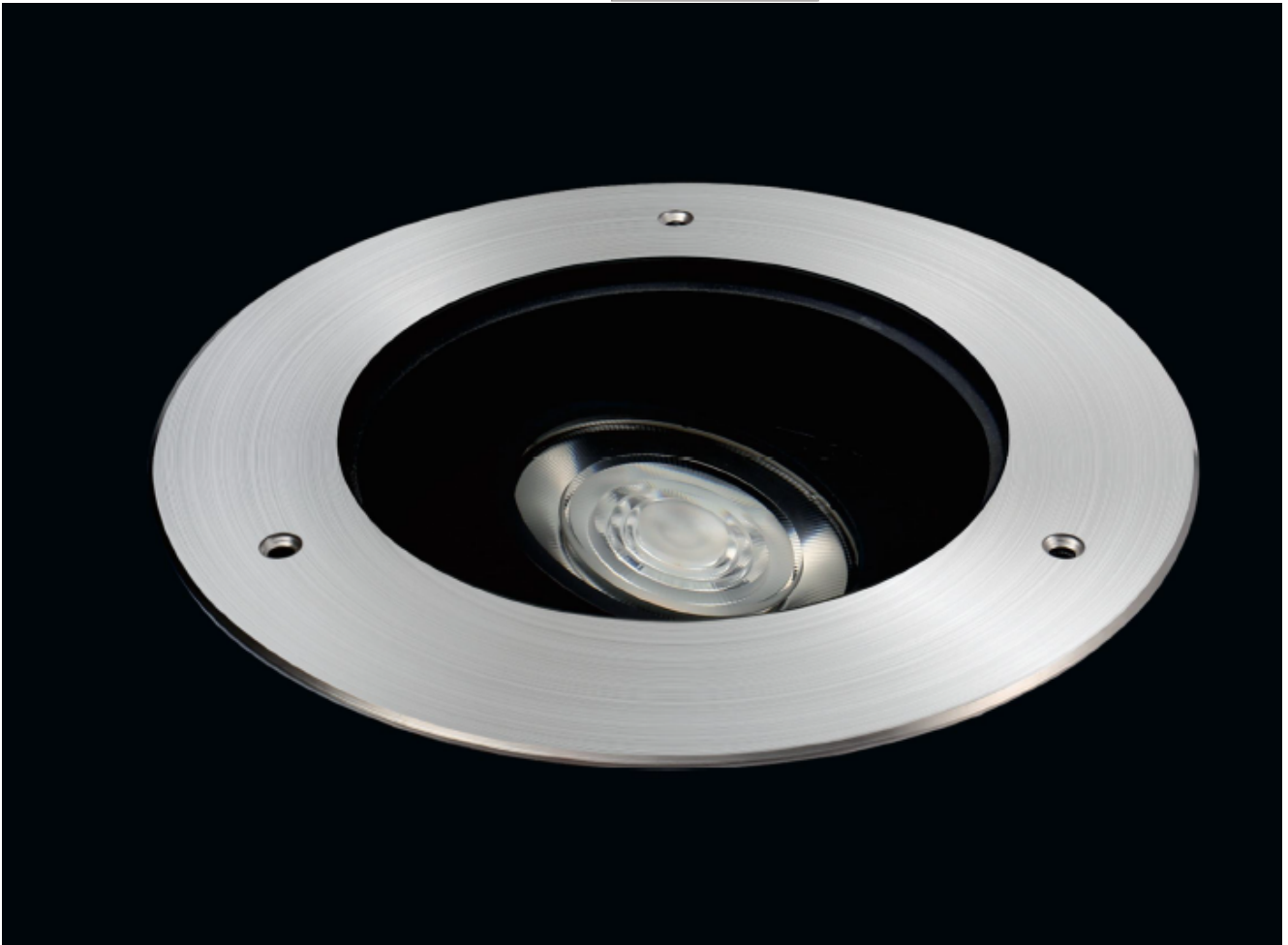
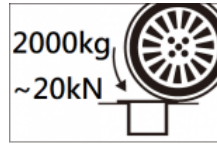


INCARY

Adjustable Inground 54W Max IP67

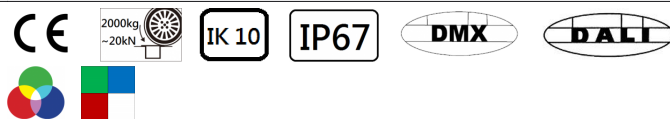


- Recessed In-Ground Type and Optional Tilt angle (+/-25 degree)
- The luminaire housing made of die-cast aluminium and AISI 316 stainless steel Cover with T=8mm tempered glass.
- Optics with PMMA lens. It is available in monocolour ,RGB andr RGBW color.
- Outer casing made of ABS material. It is able to be controlled by DMX and RDM.
- It's as well a great alternative to urban furniture due to its IP67 and IK10 protection rating.

Technical Data

Luminaire Type 安裝方式 Tipo de luminaria	Recessed In-Ground Type and Optional Tilt angle (+/-25 degree) 內嵌式地埋燈和可選的可調角度 (+/- 25度) Tipo empotrado en el suelo y ángulo de inclinación opcional (+/- 25 grados)
Power Consumption Max 燈具功率 Consumo de energía Max	Standard Version Tilt angle (+/-25 degree) or Anti-glare Depth Illuminare (Non-Tilt- Angle) <ul style="list-style-type: none"> • 3W (3*1W) @ Dia 95mm • 18W (6*3W) @ Dia 160 mm • 36W (12*3W) @ Dia 210 mm COB Version Tilt angle (+/-25 degree) or COB Version Anti-glare Depth Illuminare-Non-Tilt- Angle <ul style="list-style-type: none"> • 9W (3*3W) @Dia 130mm • 27W (9*3W) @ Dia 180 mm • 54W(18*3W) @ Dia 250 mm • 10W @Dia 130mm • 20W @ Dia 180 mm • 30W@ Dia 250 mm
Input Voltage 輸入電壓 Voltaje de entrada	• AC100-240V @ MONO • DC24V + DMX 512 @ MONO @ RGB or RGBW
LED Driver Type LED驅動款式 Tipo de controlador LED	Integrated-type LED Driver--Refer to LED driver specification 請參閱LED驅動器規格 Consulte la especificación de controlador de LED 1. ON/OFF Switch AC100-240V 50/60HZ 2. ELV Dimming Driver (5-100%) AC 100-120V 50/60Hz or AC 200-240V 50/60HZ 3. Remote 0 -10V Dimming Driver AC100-240V 50/60HZ 4. Remote Dali Dimming Driver AC100-240V 50/60HZ 5. Remote DMX Driver AC100-240V 50/60HZ 6. Remote DMX Driver AC100-240V 50/60HZ
Control Protocol 控制協議 Protocolo de Control	1-10V / Dali / DMX 512 / RDM
Beam Angle 光束角 ángulo de haz	10° 25° 35° 40° 48° Elliptical 8"x 40° Wide Flood 65°
Light Source Brand/光源品牌 Fuente de luz de marca	CREE - (Photobiological safety-IEC 62471 'Risk Group 1' (low risk))
"Lumen Maintenance LM-80 Reported by TM-21"	L70(10k) > 60,000 hrs
LED Life/LED壽命 La vida del LED	>60,000 hours
Color Temperature / 色溫 / Temperatura del color	2700K / 3000K / 4000K / 5000K / 6500K / RGB / RGBW(3000K , 4000K or 5000K)
Color Rendering Index/顯色指數 Índice de reproducción cromática	• >80 for White Color LED • >90 for White Color LED
MacAdam Ellipses Binning 麥克亞當橢圓分級 Mac Adam binning elipse	Standard Deviation Colour Matching < 3 SDCM 標準偏差配色 < 3 SDCM Coincidencia de color estándar Desviación < 3 SDCM
Luminaire Efficacy 燈具效率 La eficacia de la luminaria	<ul style="list-style-type: none"> • 70 Lm/w(2700K), 70 Lm/w(3000K), 80 Lm/w(4000K), • 80 Lm/w(5000K), 80 Lm/w(6500K), 50 Lm/w(RGB), 65 Lm/w (RGBW)
LED Source Luminous Efficacy LED光源光效 Fuente luminosa LED Eficacia	<ul style="list-style-type: none"> • 120 Lm/w(2700K), 120 Lm/w(3000K), 130 Lm/w(4000K), • 130Lm/w(5000K), 130 Lm/w(6500K), 100 Lm/w(RGB), 120lm/w (RGBW)
Housing materials/外殼材料 Materiales de la carcasa	Die cast aluminium , 8mm thick tempered glass with #316 Stainless Steel Cover 壓鑄鋁, 8mm厚鋼化玻璃和#316不銹鋼面蓋 Aluminio fundido, vidrio templado de 8 mm de espesor con # 316 de la cubierta de acero inoxidable
Housing Color/ 外殼顏色 Color de la carcasa	#316 Stainless Steel Cover #316不銹鋼面蓋 # 316 de la cubierta de acero inoxidable
Operating Temperature Range / 工作溫度範圍 Rango de temperatura de funcionamiento	-30 °C / +50 °C
Operating Humidity -工作濕度 Humedad de funcionamiento	0~90%, non-condensing-不結霜 sin condensación
Ingress Protection/ 防護等級 Protección de ingreso	IP67
Mech impact protection 機械衝擊保護 Protección contra impactos mecánicos	IK10
Dimension/尺寸 Dimensión	• Refer to the Drawing 請參考圖紙 Consulte el dibujo
Pressure load 壓力負荷 Carga de presión	2,000 kg (~20 kN)
Comply Testing Standard 符合測試標準 Cumplir el estándar de prueba	LED Luminaires: IEC 60598-1 / IEC 60598-2-13 / IEC 62471; IEC/EN 62031; IEC/EN 62493; IEC/EN 62471 (Risk Group 1); RoHS TM21 LED Driver: IEC/EN 61347-1; IEC/EN 61347-2-13; IEC/EN 62384; IEC/EN 61000-3-2; IEC/EN 61000-3-3; IEC/EN 61574; EN 55015; IEC /EN 62384

Certification-認證-Certificación



Project	Fixture#	Date
		Firm

Ordering Information

Choose the option that suits your need and write its corresponding code on the appropriate line to form the product code

Example product code: [INCARY-10W](#)

INCARY - - _____
Power Consumption

Power Consumption	
Code	Description
3W	3W (3*1W) @ Dia 95mm -Standard Version Tilt angle (+/-25 degree) or Anti-glare Depth Illuminare (Non-Tilt- Angle)
9W	9W (3*3W) @Dia 130mm -Standard Version Tilt angle (+/-25 degree) or Anti-glare Depth Illuminare (Non-Tilt- Angle)
18W	18W (6*3W)@ Dia 160 mm -Standard Version Tilt angle (+/-25 degree) or Anti-glare Depth Illuminare (Non-Tilt- Angle)
27W	27W (9*3W) @ Dia 180 mm-Standard Version Tilt angle (+/-25 degree) or Anti-glare Depth Illuminare (Non-Tilt- Angle)
36W	36W (12*3W) @ Dia 210 mm-Standard Version Tilt angle (+/-25 degree) or Anti-glare Depth Illuminare (Non-Tilt- Angle)
54W	54W(18*3W) @ Dia 250 mm-Standard Version Tilt angle (+/-25 degree) or Anti-glare Depth Illuminare (Non-Tilt- Angle)
6W	6W @Dia 130mm-COB Version Tilt angle (+/-25 degree) or COB Version Anti-glare Depth Illuminare-Non-Tilt- Angle
10W	10W @Dia 130mm-COB Version Tilt angle (+/-25 degree) or COB Version Anti-glare Depth Illuminare-Non-Tilt- Angle
15W	15W@ Dia 160 mm -COB Version Tilt angle (+/-25 degree) or COB Version Anti-glare Depth Illuminare-Non-Tilt- Angle
20W	20W @ Dia 180 mm -COB Version Tilt angle (+/-25 degree) or COB Version Anti-glare Depth Illuminare-Non-Tilt- Angle
25W	25W@ Dia 210 mm -COB Version Tilt angle (+/-25 degree) or COB Version Anti-glare Depth Illuminare-Non-Tilt- Angle
30W	30W@ Dia 250 mm -COB Version Tilt angle (+/-25 degree) or COB Version Anti-glare Depth Illuminare-Non-Tilt- Angle

Standard Version

Tilt angle (+/-25 degree)



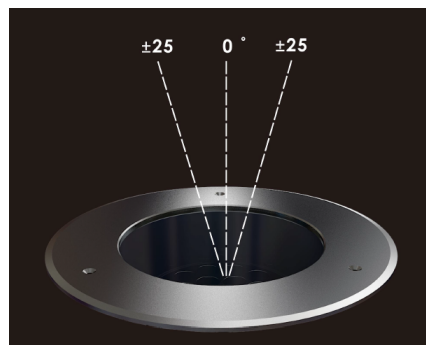
COB Version

Tilt angle (+/-25 degree)

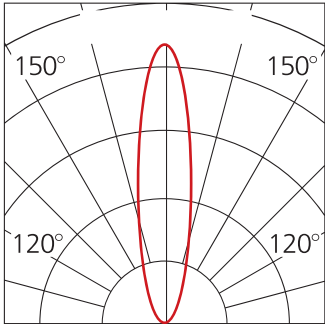


Anti-glare Depth

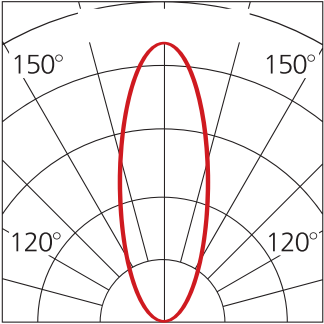
Illuminare-Non-Tilt- Angle



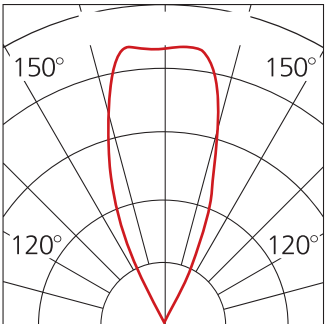
BEAM ANGLE



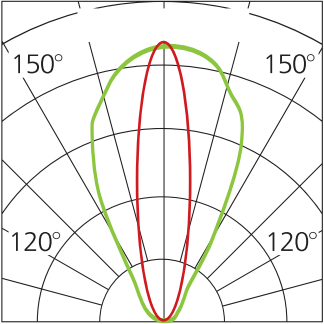
10°



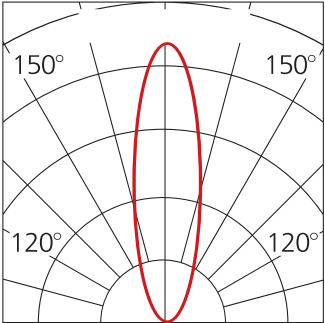
25°



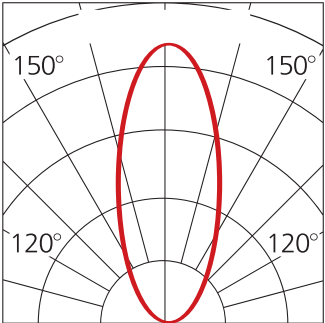
40°



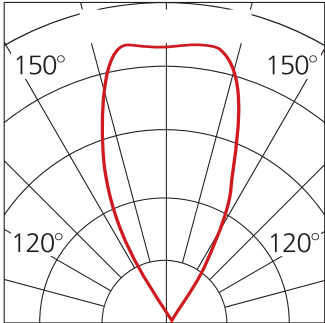
8° x 40°



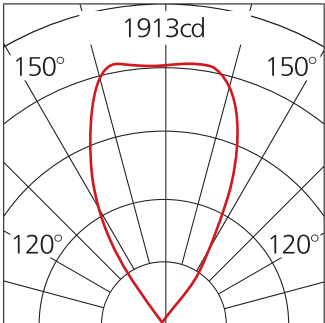
25°



35°



48°



65°

Technical Drawing-Standard Version
Tilt angle (+/-25 degree)



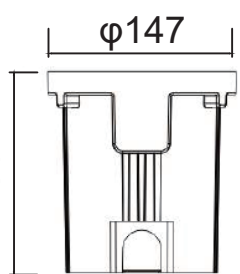
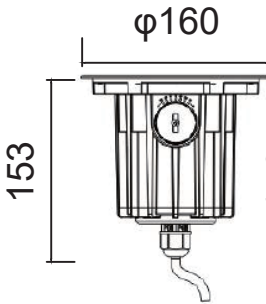
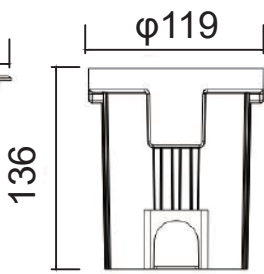
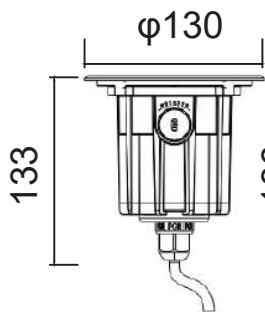
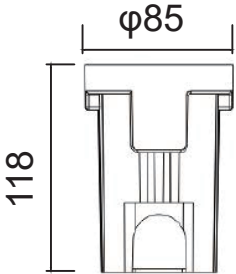
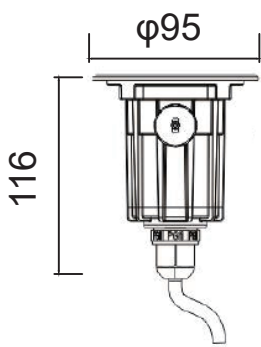
1x3W Mono Color
1x3W RGB Color



3x3W Mono Color
3x3W RGB Color



6x3W Mono Color
3x3W RGB Color



φ85

Embedded part



φ119

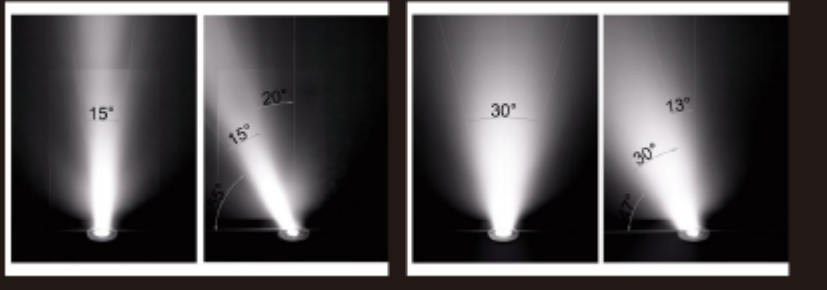
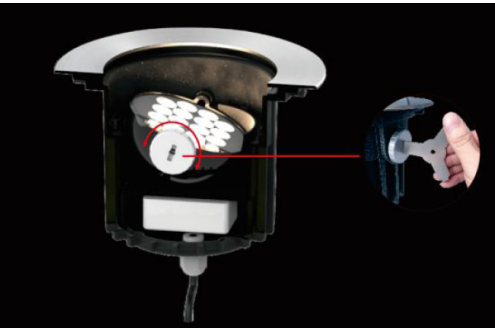
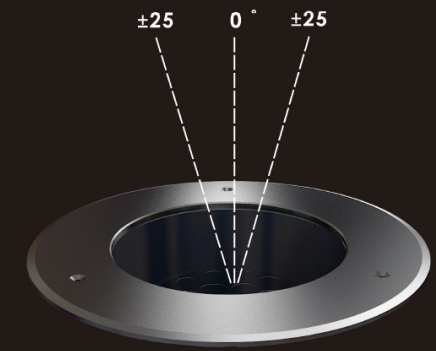
Embedded part



φ147

Embedded part

Depth Illuminant
Adjustable Beam Direction Series



Unit: mm

Technical Drawing-Standard Version

Tilt angle (+/-25 degree)



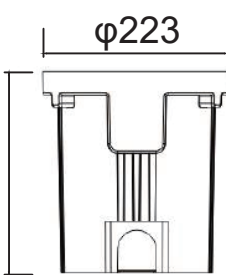
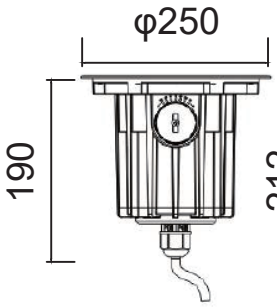
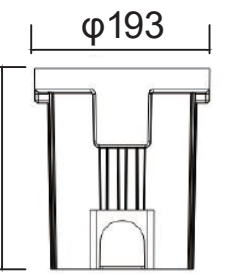
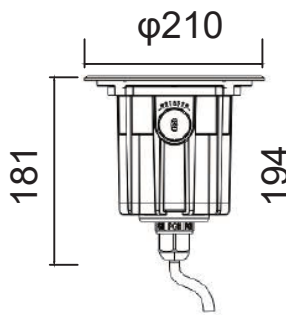
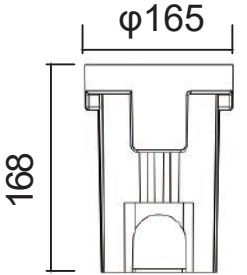
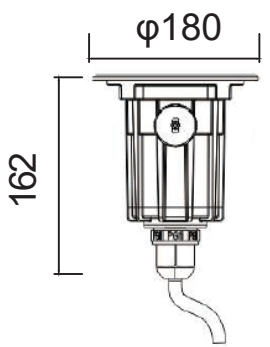
9x3W Mono Color
9x3W RGB Color



12x3W Mono Color
12x3W RGB Color



18x3W Mono Color
18x3W RGB Color



φ165



φ193



φ223

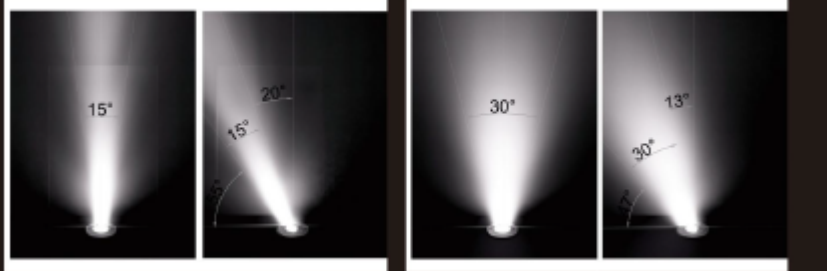
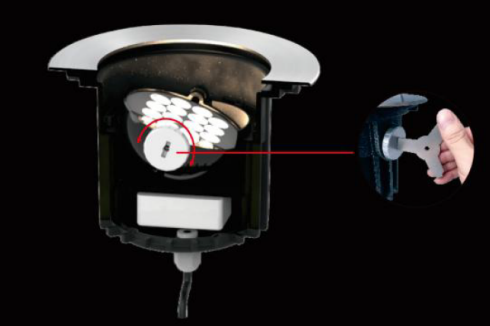
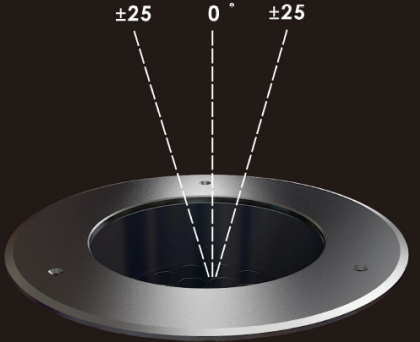
Unit:
mm

Embedded part

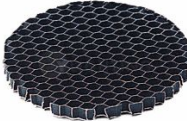
Embedded part

Embedded part

Depth Illuminant
Adjustable Beam Direction Series



Accessories



Honeycomb
louer

Technical Drawing-COB Version

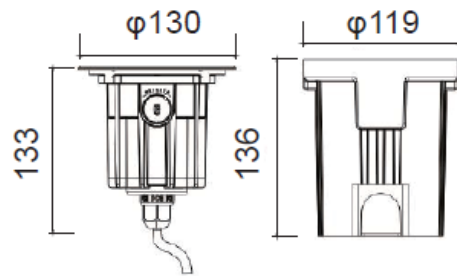
Tilt angle (+/-25 degree)



1x6W RGBW or Mono Color
1x10W RGBW or Mono Color

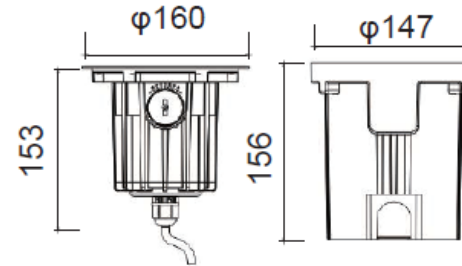


1x15W Mono Color



φ119

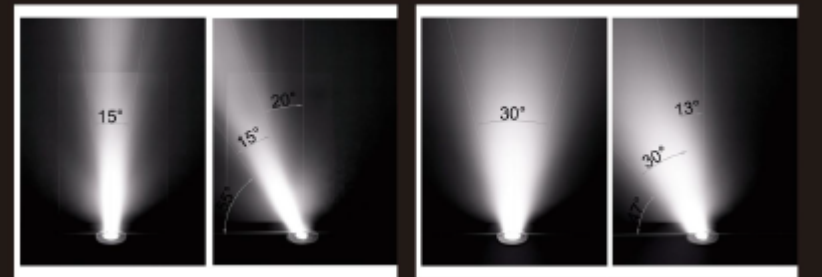
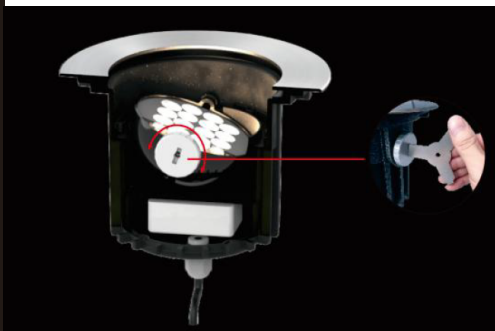
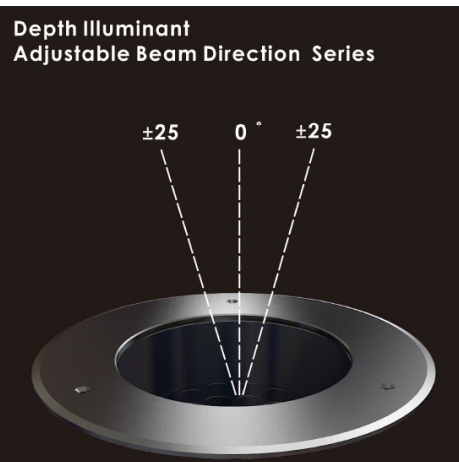
Embedded part



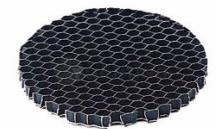
φ147

Embedded part

Unit:mm



Accessories



Honeycomb louver

Technical Drawing-COB Version
Tilt angle (+/-25 degree)



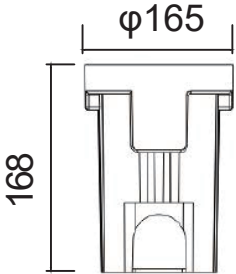
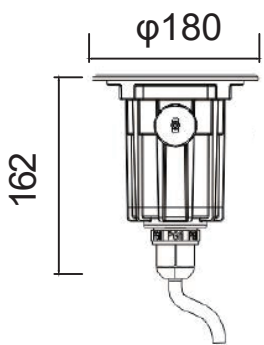
1x20W Mono Color



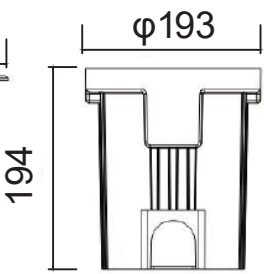
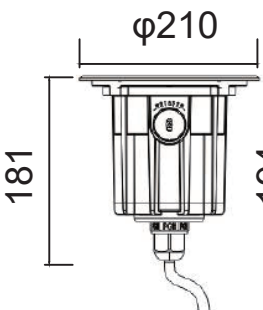
1x25W Mono Color



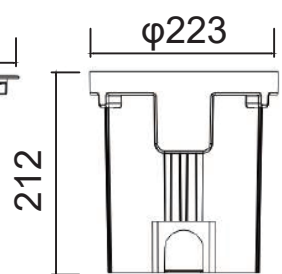
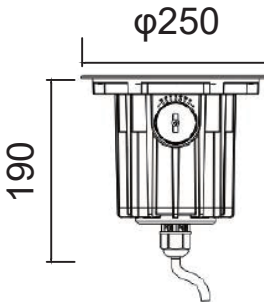
1x30W Mono Color



φ165



φ193



φ223

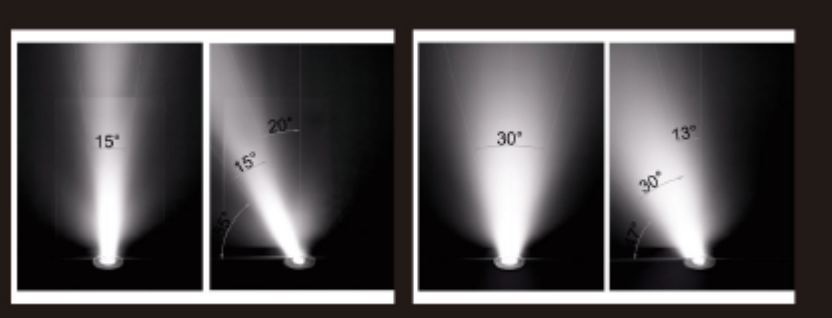
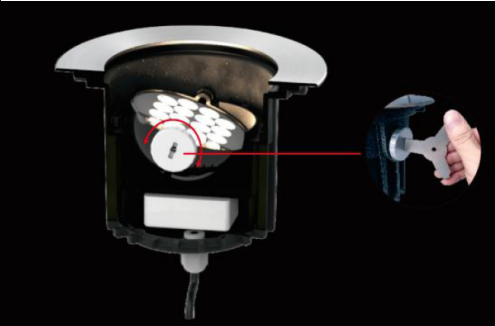
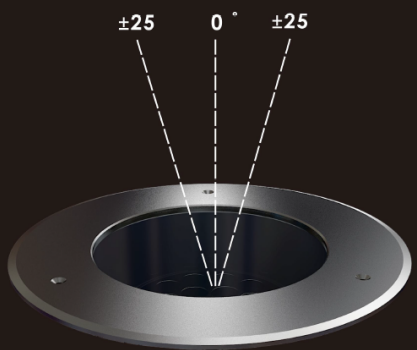
Unit:
mm

Embedded part

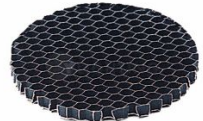
Embedded part

Embedded part

Depth Illuminant
Adjustable Beam Direction Series



Accessories



Honeycomb
louver

Technical Drawing-Standard Version
Anti-glare Depth Illuminare (Non-Tilt- Angle)



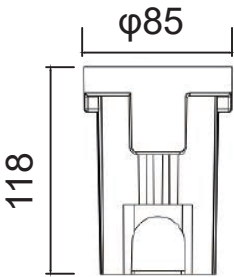
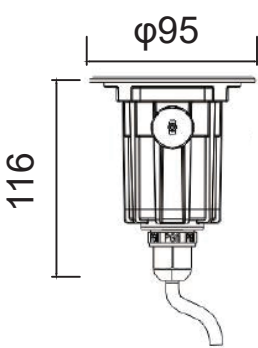
1x3W Mono Color
1x3W RGB Color



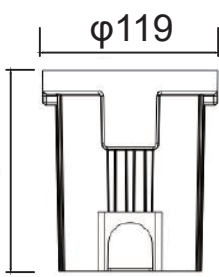
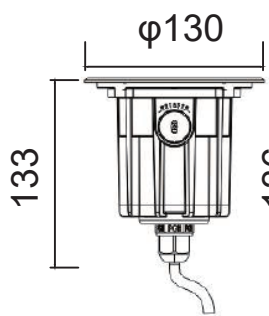
3x3W Mono Color
3x3W RGB Color



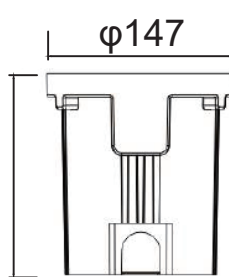
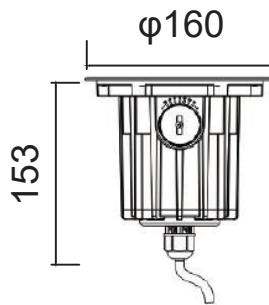
6x3W Mono Color
3x3W RGB Color



Embedded part



Embedded part



Embedded part

Unit: mm

Technical Drawing-Standard Version Anti-glare
Depth Illuminare (Non-Tilt- Angle)



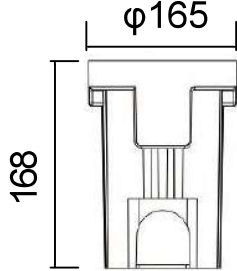
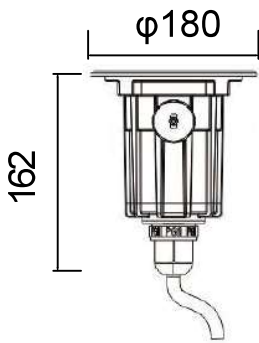
9x3W Mono Color
9x3W RGB Color



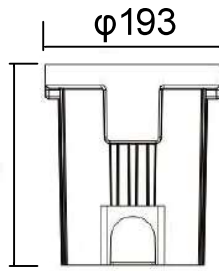
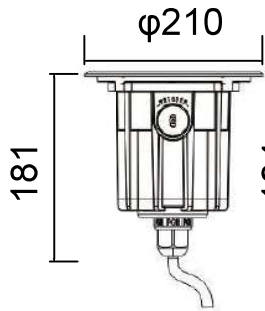
12x3W Mono Color
12x3W RGB Color



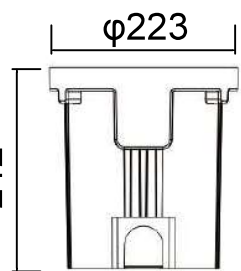
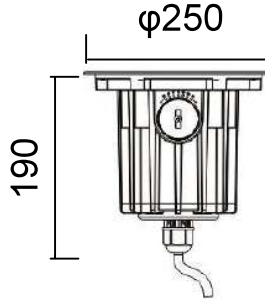
18x3W Mono Color
18x3W RGB Color



Embedded part

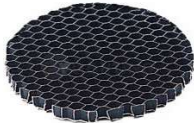


Embedded part



Embedded part

Accessories



Honeycomb
louver

Unit: mm

Technical Drawing-COB Version Anti-glare Depth Illuminare-Non-Tilt- Angle

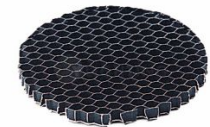
1x10W Mono Color



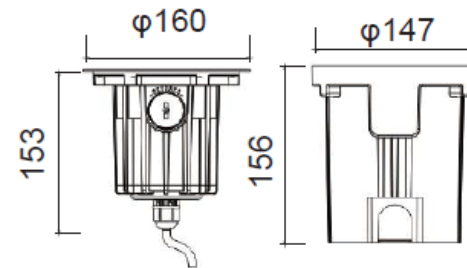
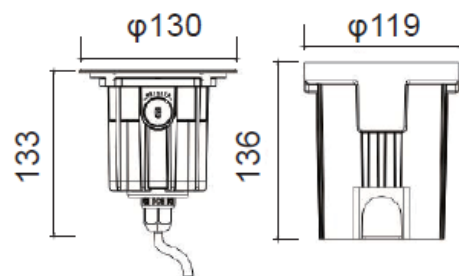
1x15W Mono Color



Accessories



Honeycomb
louver



Embedded part



Embedded part

Unit:mm

Technical Drawing-COB Version Anti-glare Depth Illuminare-Non-Tilt- Angle

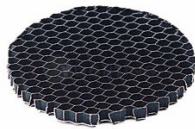
1x20W Mono Color

1x25W Mono Color

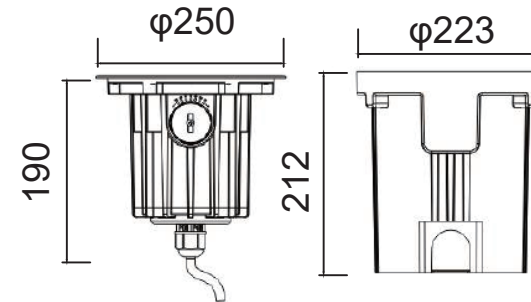
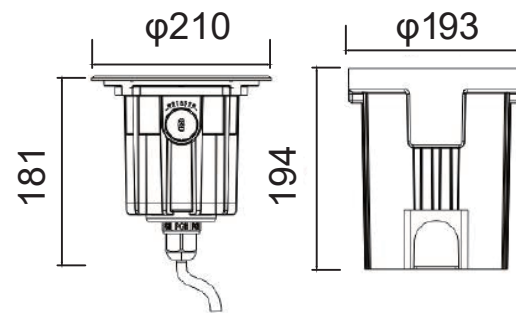
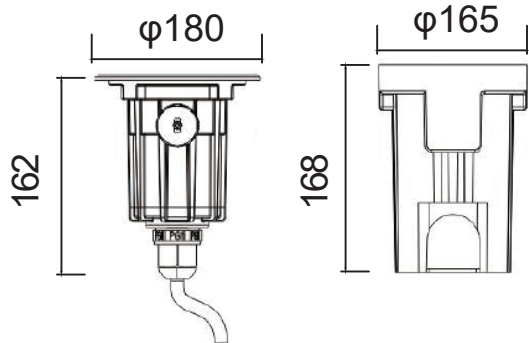
1x30W Mono Color



Accessories



Honeycomb
louver



$\phi 165$

Embedded part



$\phi 193$

Embedded part



$\phi 223$

Embedded part

Unit: mm