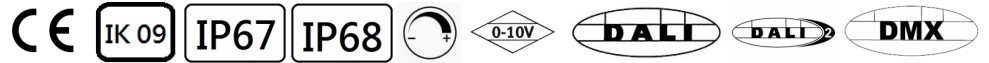


INCARY PRO



DEPTH IP68



- DEPTH ILLUMINANT ANTI-GLARE INGROUND LIGHT
- The luminaire housing made of die-cast aluminum and AISI 316 stainless steel Cover with tempered glass.
- It's as well a great alternative to urban furniture due to its IP67 or IP68 and IK09 protection rating.

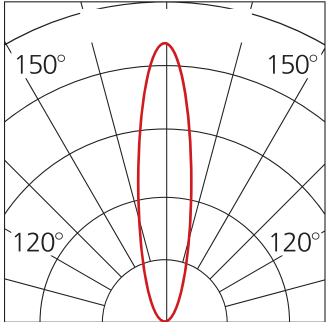
Technical Data

Luminaire Type 安裝方式 Tipo de luminaria	Recessed In-Ground Type 內嵌式地埋燈 Tipo empotrado en el suelo y ángulo de
Power Consumption Max 燈具功率 Consumo de energía Max	<ul style="list-style-type: none"> • Dia 132mm : 6W 8W 10W • Dia 160mm : 15W 18W • Dia 182mm : 20W 24W 30W • Dia 208mm : 36W 40W • Dia 248mm : 45W 50W
Input Voltage 輸入電壓 Voltaje de entrada	<ul style="list-style-type: none"> • AC220-240V 50/60Hz • DC24V
LED Driver Type LED 驅動款式 Tipo de controlador LED	<p>Integrated-type LED Driver--Refer to LED driver specification 請參閱 LED 驅動器規格 Consulte la especificación de controlador de LED</p> <ol style="list-style-type: none"> 1. ON/OFF Switch AC220-240V 50/60HZ 2. Remote 0-10V Dimming Driver AC220-240V 50/60HZ 3. Remote Dali Dimming Driver AC220-240V 50/60HZ 4. Remote DMX Dimming Driver AC220-240V 50/60HZ
Control Protocol 控制協議 Protocolo de Control	1-10V / Dali
Beam Angle 光束角 ángulo de haz	15° 24° 30° 40° 60° Asymmetric
Light Source Brand/光源品牌 Fuente de luz de marca	CREE COB
"Lumen Maintenance LM-80 Reported by TM-21"	L70(10k) > 60,000 hrs
LED Life/LED 壽命 La vida del LED	>60,000 hours
Color Temperature / 色溫 / Temperatura del color	2700K / 3000K / 4000K / 5000K / 6500K
Color Rendering Index/顯色指數 Índice de reproducción cromática	>80
MacAdam Ellipses Binning 麥克亞當橢圓分級 Mac Adam binning ellipse	<p>Standard Deviation Colour Matching < 3 SDCM 標準偏差配色 < 3 SDCM Coincidencia de color estándar Desviación < 3 SDCM</p>
Luminaire Efficacy 燈具效率 La eficacia de la luminaria	<p>Clear Glass: 70 Lm/w(2700K), 70 Lm/w(3000K), 80 Lm/w(4000K), 80 Lm/w(5000K), 80 Lm/w(6500K),</p> <p>Flosted Glass: 45 Lm/w(2700K), 45 Lm/w(3000K), 50 Lm/w(4000K), 55 Lm/w(5000K), 55 Lm/w(6500K),</p>
LED Source Luminous Efficacy LED 光源光效 Fuente luminosa LED Eficacia	<p>120 Lm/w(2700K), 120 Lm/w(3000K), 130 Lm/w(4000K), 130 Lm/w(5000K), 130 Lm/w(6500K),</p>
Housing materials/外殼材料 Materiales de la carcasa	<p>Die cast aluminium, tempered glass with #316 Stainless Steel Cover 壓鑄鋁, 鋼化玻璃和 #316 不銹鋼面蓋 Aluminio fundido, vidrio templado de espesor con # 316 de la cubierta de acero inoxidable</p>
Housing Color/ 外殼顏色 Color de la carcasa	#316 Stainless Steel Cover #316 不銹鋼面蓋 # 316 de la cubierta de acero inoxidable
Operating Temperature Range / 工作溫度範圍 Rango de temperatura de funcionamiento	-30 °C / +50 °C
Operating Humidity - 工作濕度 Humedad de funcionamiento	0~100%, non-condensing-不結霜 sin condensación
Ingress Protection/ 防護等級 Protección de ingreso	<ul style="list-style-type: none"> • IP67 • IP68
Mech impact protection 機械衝擊保護 Protección contra impactos mecánicos	IK09
Dimension/尺寸 Dimensión	Refer to the Drawing 請參考圖紙 Consulte el dibujo
Pressure load 壓力負荷 Carga de presión	2,000 kg (~20 kN)
Comply Testing Standard 符合測試標準 Cumplir el estándar de prueba	<p>LED Luminaires: IEC 60598-1 / IEC 60598-2-13 / IEC62471; IEC/EN 62031; IEC/EN 62493 ; IEC/EN 62471 (Risk Group 1); RoHS TM21 LED Driver: IEC/EN 61347-1; IEC/EN 61347-2-13; IEC/EN 62384; IEC/EN 61000-3-2; IEC/EN 61000-3-3; IEC/EN 61574; EN 55015 ; IEC /EN 62384</p>

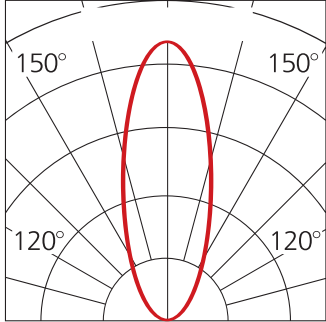
Certification-認證-Certificación



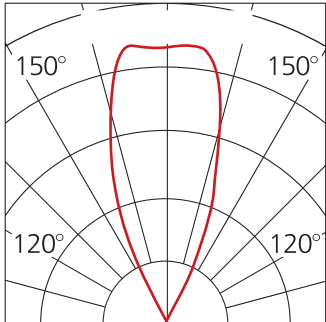
BEAM ANGLE



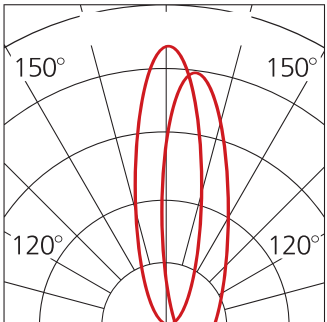
15°



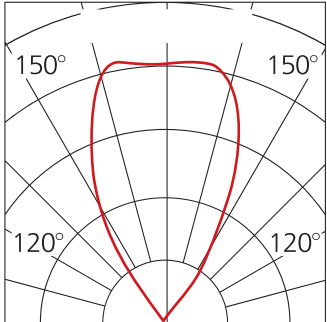
30°



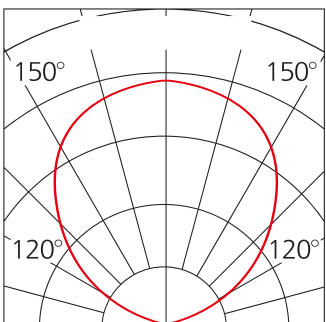
40°



24°



60°

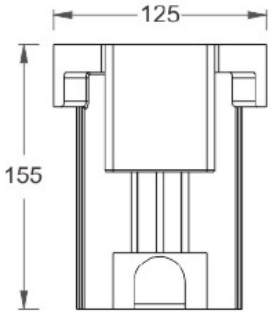
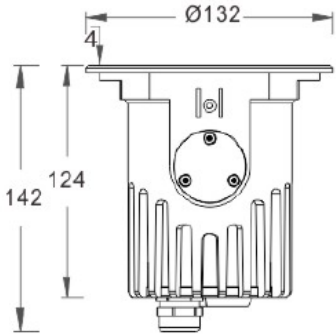


130°

Filter

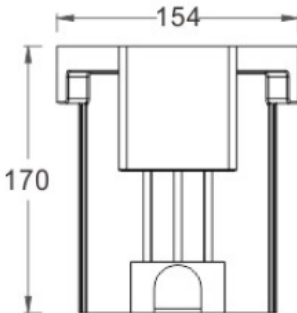
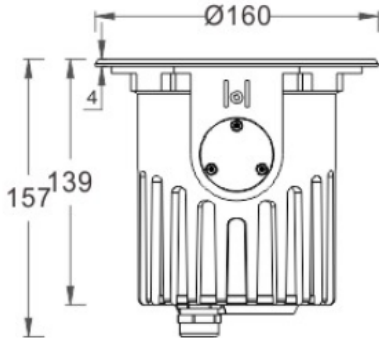


Technical Drawing-Depth Version
Anti-glare Depth Illuminare (Non-Tilt- Angle)



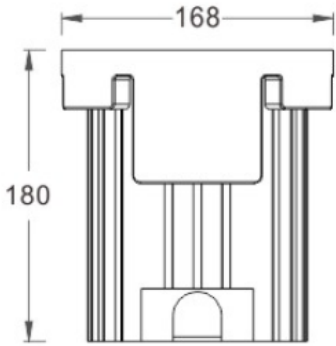
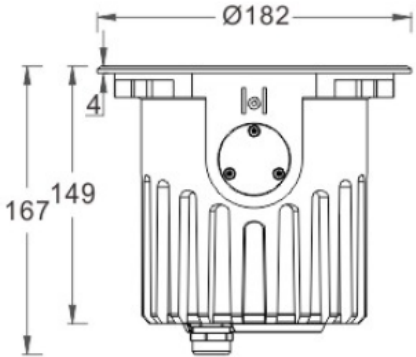
Mounting Sleeve

Weight: 3.2KG



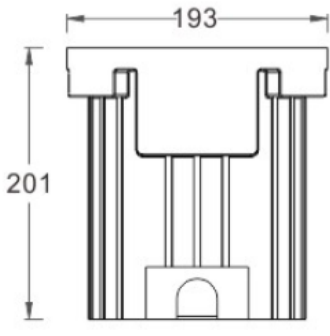
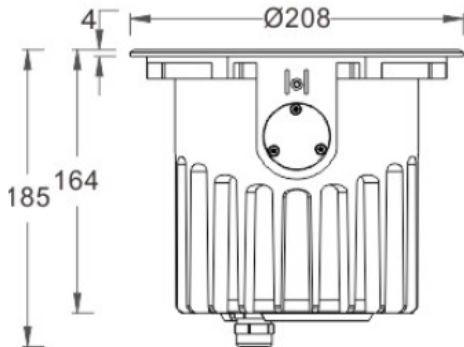
Mounting Sleeve

Weight: 3.9KG



Mounting Sleeve

Weight: 4.5KG



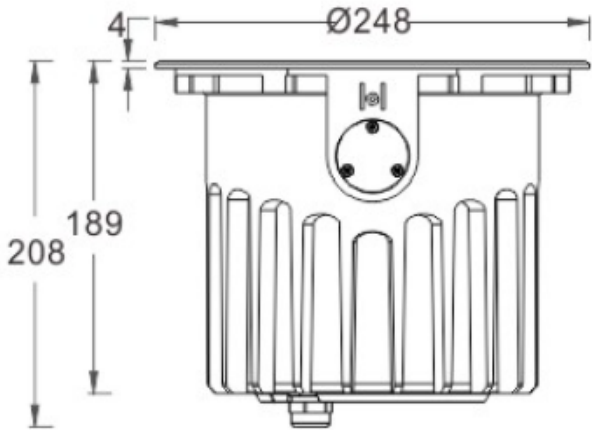
Mounting Sleeve

Weight: 5.3KG

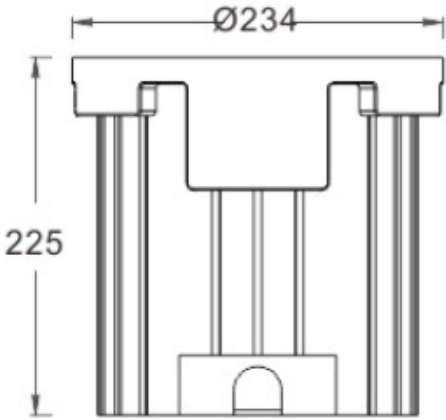


Unit: mm

Technical Drawing-Depth Version Anti-glare Depth Illuminare (Non-Tilt- Angle)



Weight: 6.1KG



Mounting Sleeve

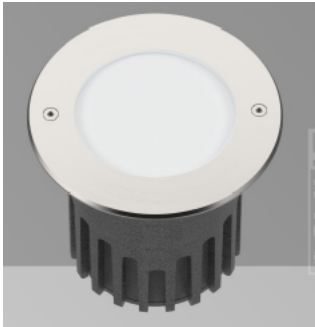
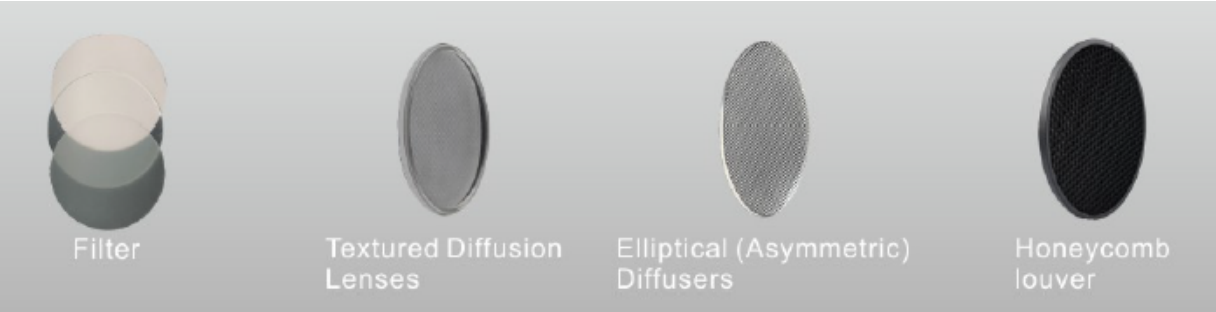


Unit: mm



Accessoires:

- Optical Accessories



Transmittance rate: 50%

50%

70%

40%

- Reflector and Lens



- Asymmetrical Reflector
- Transmittance rate: 70%



COB+REFLECTOR CUP

COB+LENS

COB+REFLECTOR CUP

