

INCHERY

Dia38,Dia52,Dia64,Dia80 & Dia100mm



Square Ring


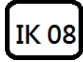
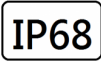





Mounting Sleeve



- Concise and splendid design bring elegant and delicate appearance.
- Highly clear and strengthen 8mm tempered glass cover, ensure high luminous efficacy.
- outstanding accuracy of color temperature and excellent impact resistance and rub resistance.
- 316 stainless steel cover & housing guarantees outstanding corrosion resistance and stability in high acid or high alkaline environments like seaside.
- Supporting DMX512, 1-10V, DALI or PWM dimming system, bring smooth and soft dimming effect.
- Environmental friendly high strength ABS embedded parts.

Technical Data

Installation method / 安裝方式 / Metodo de instalacio	Wall recessed or Ground recessed / 牆面嵌入式或地面嵌入式 Empotrado en la pared o empotrado en el suelo
Ring Type / 面環類型 / Tipo de anillo	Round or Square / 圓形或正方形 Redondo o Cuadrado
Power Consumption / 燈具功率 El consumo de energia	1W 2W 3W 4W 5W 6W 7W 8W 9W 10W
Input Voltage / 輸入電壓 Voltaje de entrada	DC24V DC24V + DMX512
Control Protocol / 控制協議 Protocolo de Control	DMX512 Integrated DMX512 decoder
Light Source Brand / 光源品牌 / Fuente de luz de marca	TYANSHINE / CREE / OSRAM
"Lumen Maintenance LM-80 Reported by TM-21"	L70 > 54,000 hrs
LED Life-LED壽命-La vida del LED	>100,000 hours
Color Temperature and Color 色溫 and 顏色 Temperatura y color del color	2700K 3000K 4000K 6500K RGB RGBW (3000K 4000K 6500K)
Color Rendering Index-顯色指數 Índice de reproducción cromática	>80 >90
MacAdam Ellipses Binning 麥克亞當橢圓分級 Mac Adam binning ellipse	Standard Deviation Colour Matching 3 SDCM標準偏差配色 < 3 SDCM Coincidencia de color estándar Desviación < 3 SDCM
Beam Angle / 光束角 / ángulo de haz	12° 25° 30° 40° 45° 60°
Luminaire Efficacy燈具效率 La eficacia de la luminaria	70 Lm/w (2700K) 80Lm/w (3000K) 80 Lm/w (4000K) 90 Lm/w (6500K) 35Lm/w RGB 50Lm/w RGBW
LED Source Luminous EfficacyLED光源光效 Fuente luminosa LED Eficacia	130 Lm/w (2700K) 140Lm/w (3000K) 140 Lm/w (4000K) 150 Lm/w (5000K) 80Lm/w RGB 100Lm/w RGBW
Housing materials外殼材料 Materiales de la carcasa	316 Stainless Steel body with tempered glass 316 鋼化玻璃不銹鋼燈身 Cuerpo de acero inoxidable 316 con vidrio templado.
Housing Color / 外殼顏色 color de la carcasa	Stainless Steel / 不銹鋼 / Acero inoxidable
Ingress Protection / 防護等級 Protección de ingreso	IP68
Mech impact protection 機械衝擊保護 Protección contra impactos mecánicos	IK08
Operating Temperature Range / 工作溫度範圍 Rango de temperatura de funcionamiento	-20 °C / +30 °C
Operating Humidity / 工作濕度 Humedad de funcionamiento	0~90%, non-condensing / 不結霜 sin condensación
Dimension / 尺寸 / Dimensión	Refer to Technical Drawing 請參閱技術圖紙Consulte el dibujo técnico
Certificate Standard Complied 符合安規標準 estándar certificado de cumplimiento	LED Luminaries: IEC 60598-1;IEC 60598-2-5;RoHS LED Driver: IEC/EN 61347-1; IEC/EN 61347-2-13; IEC/EN 62384; IEC/EN 61000-3-2; IEC/EN 61000-3-3;IEC/EN61574;EN 55015
Certification-認證-Certificación	     

Project	Fixture#	Date
		Firm

Ordering Information

Choose the option that suits your need and write its corresponding code on the appropriate line to form the product code.

Example product code: [INCHERY-5W](#)

INCHERY - -

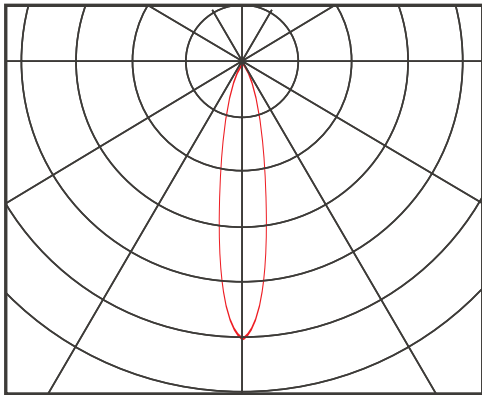
POWER
CONSUMPTION

POWER CONSUMPTION	
Code	Description
1W	1W
2W	2W
3W	3W
4W	4W
5W	5W
6W	6W
7W	7W
8W	8W
9W	9W

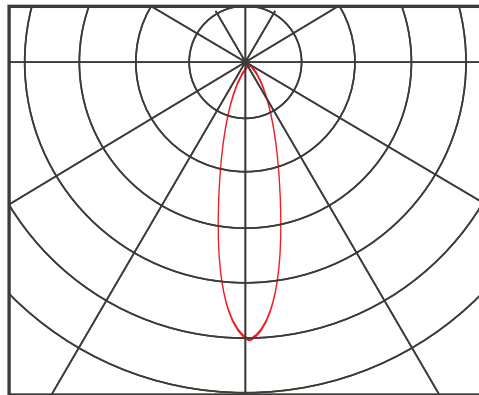


Beam Angle

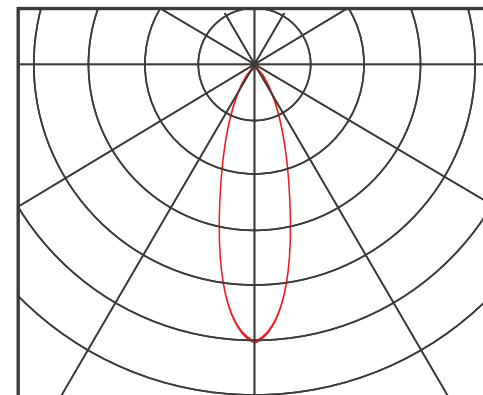
12°



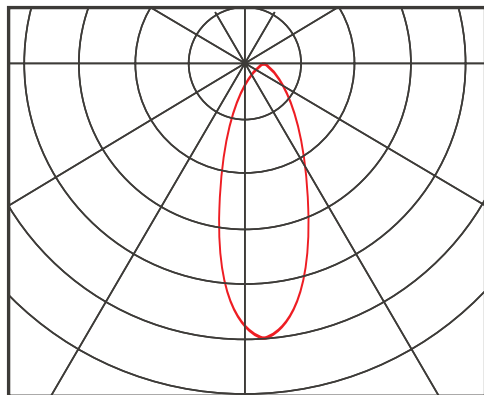
25°



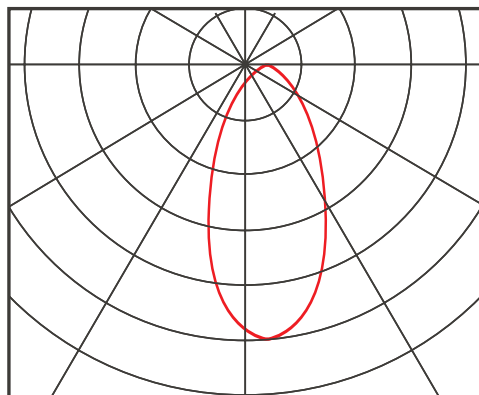
30°



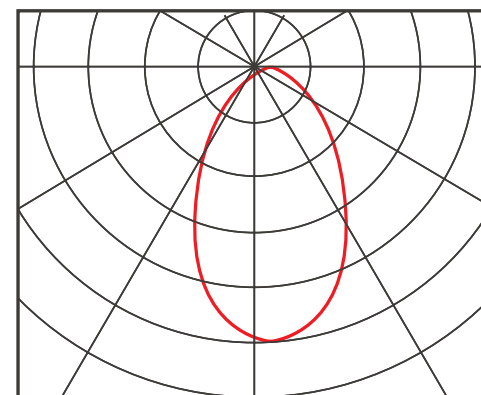
40°



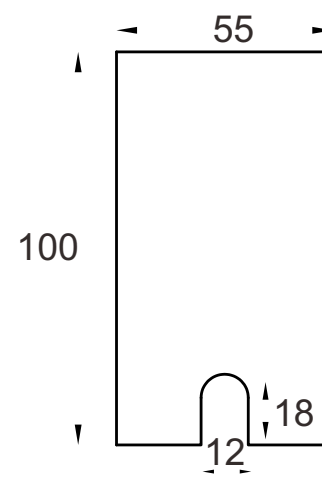
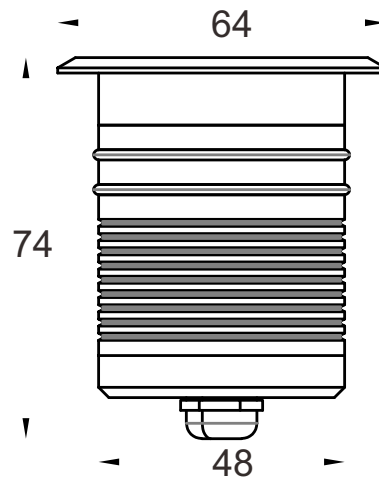
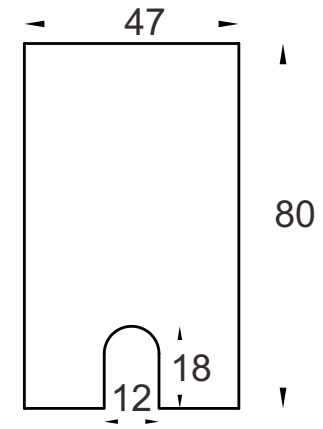
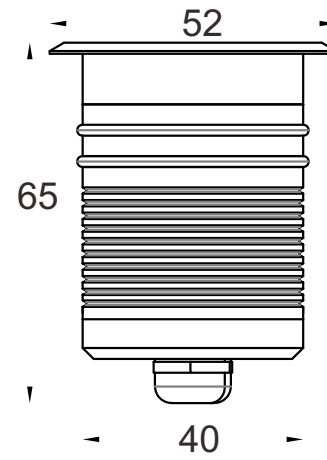
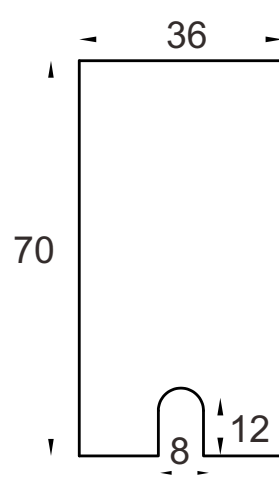
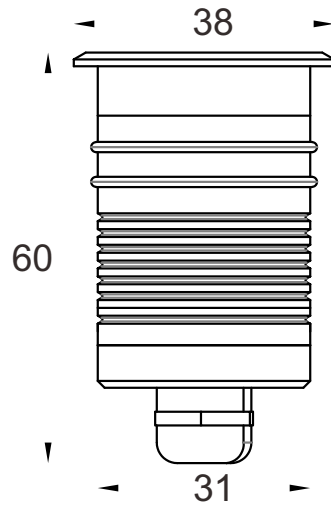
45°



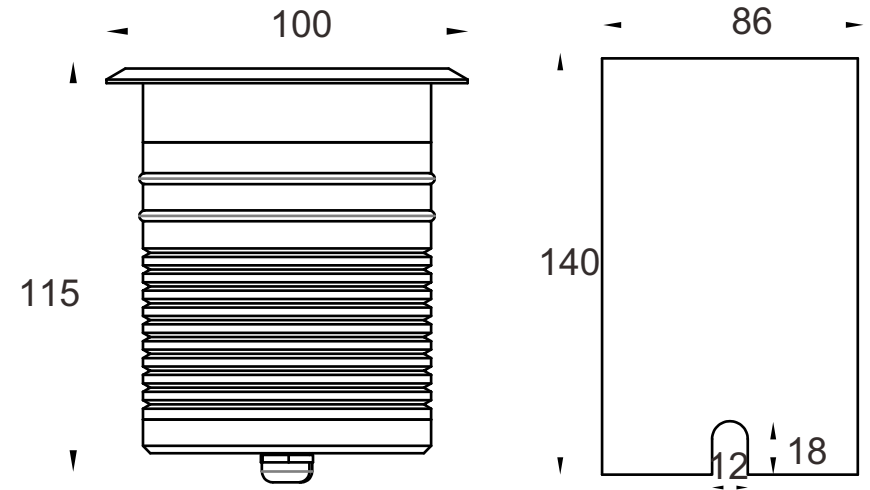
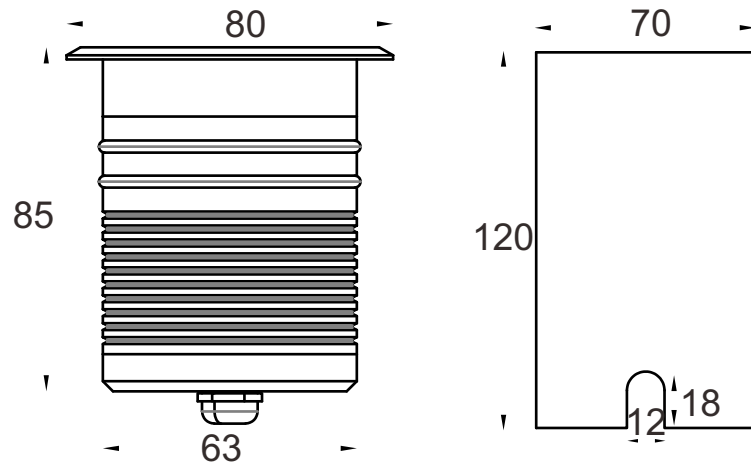
60°



Technical Drawing



Technical Drawing



Unit : mm