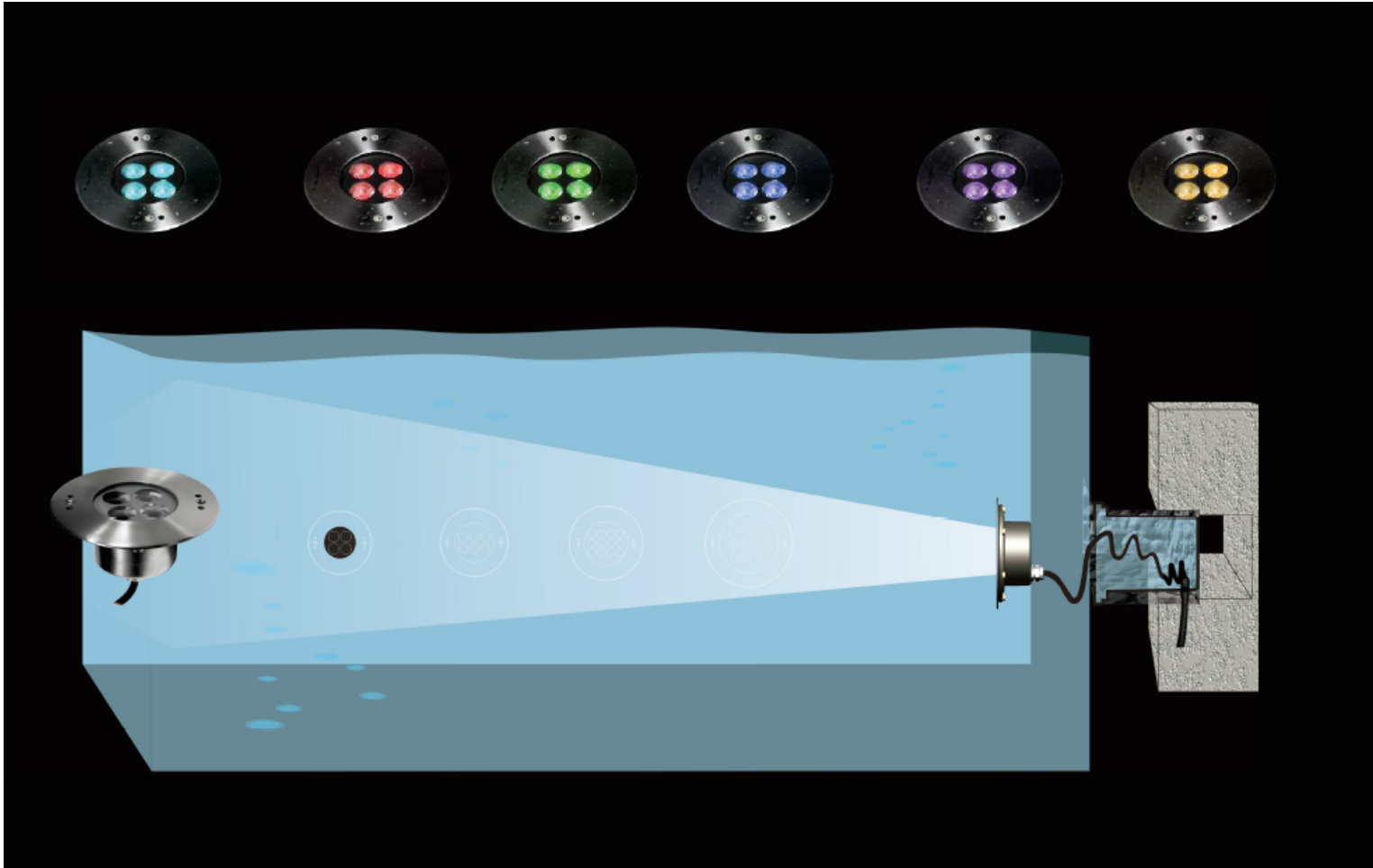


### INDICA

D116 to 250mm 4W ~42W IP68



- IP68 3m permanent immersion recessed luminaire for use with LED light sources.
- Body in AISI 316L stainless 316L stainless 316L steel ensuring maximum reliability over time even in extreme environments with high salinity; transparent colourless tempered sealing glass with 8mm thickness; silicone watertight gasket; complete with exit power supply cable L=3000 mm.
- All screws used are in A2 stainless steel.
- Must Work under water for heat releasing

## Technical Data

Luminaire Type 安裝方式 Tipo de luminaria

wall recessed or ground recessed 內嵌式地埋燈或牆燈  
Empotrado en la pared o empotrado en el suelo

Power Consumption Max 燈具功率 Consumo de energía Max

**SMD LED Type :**

Dia 116mm : 4W (4\*1W) 8W (4\*2W) 12W (4\*3W RGB 3 in1) 16W (4\*4W RGBW 4 in1)  
 Dia 135mm : 4W (4\*1W) 8W (4\*2W) 12W (4\*3W RGB 3 in1) 16W (4\*4W RGBW 4 in1)  
 Dia 160mm : 6W (6\*1W) 12W (6\*2W) 18W (6\*3W RGB 3 in1) 24W (6\*4W RGBW 4 in1)  
 Dia 180x54mm: 6W (6\*1W) 12W (6\*2W) 18W (6\*3W RGB 3 in1) 24W (6\*4W RGBW 4 in1)  
 Dia 180x 55mm: 12W (12\*1W) 24W (12\*2W) 36W (12\*3W RGB 3 in1) 48W (12\*4W RGBW 4 in1)  
 Dia 205mm: 12W (12\*1W) 24W (12\*2W) 36W (12\*3W RGB 3 in1) 48W (12\*4W RGBW 4 in1)  
 Dia 250mm: 18W (18\*1W) 36W (18\*2W) 42W (18\*2.3W) 54W (18\*3W RGB 3 in1)  
 72W (18\*4W RGBW 4 in1)

**COB LED Type :**

Dia 116mm : 8W  
 Dia 135mm : 8W  
 Dia 160mm : 15W  
 Dia 180x54mm: 15W  
 Dia 180x 55mm: 25W

Input Voltage 輸入電壓 Voltaje de entrada

DC24V OR DC24V + DMX512

LED Driver Type

LED驅動款式

Tipo de controlador LED

Remote-type LED Driver--Refer to LED driver specification 請參閱LED驅動器規格

Consulte la especificación de controlador de LED

1. ON/OFF Switch AC220-240V 50/60HZ
2. 0-10V Dimming Driver AC220-240V 50/60HZ
3. DALI Dimming Driver AC220-240V 50/60HZ
4. DMX Driver AC220-240V 50/60HZ (Dimming range from 0-100%)

Control Protocol 控制協議 Protocolo de Control

DMX512 0-10V DALI

Beam Angle 光束角 ángulo de haz

SMD Type: 15° 30° 45° 60° 45°\*35° and Asymmetric Angle  
COB Type: 24° 36° 60° and Asymmetric Angle

Light Source Brand/光源品牌

Fuente de luz de marca

CREE

"Lumen Maintenance LM-80 Reported by TM-21"

L70(10k) &gt; 60,000 hrs

LED Life/LED壽命 La vida del LED

&gt;60,000 hours

Color Temperature / 色溫 / Temperatura del color

Mono White : 2700K / 3000K / 4000K / 5000K / 6500K  
Color: RED / GREEN / YELLOW / BLUE / AMBOR / RGB / RGBW ( 3000K 4000K 5000K)

Color Rendering Index/顯色指數

Índice de reproducción cromática

>80 for White Color  
>90 for White Color

Luminaire Efficacy 燈具效率

La eficacia de la luminaria

70 Lm/w(2700K)	70 Lm/w(3000K)	85 Lm/w(4000K)	90 Lm/w(5000K)	90 Lm/w(6500K)
38Lm/w (RED)	50Lm/w (GREEN)	35Lm/w (Yellow)	20Lm/w (Blue)	35Lm/w (Ambor)
45Lm/w (RGB)	65Lm/w (RGBW)			

LED Source Luminous EfficacyLED光源光效

Fuente luminosa LED Eficacia

120 Lm/w(2700K)	120 Lm/w(3000K)	135 Lm/w(4000K)	40 Lm/w(5000K)	140 Lm/w(6500K)
88Lm/w (RED)	100Lm/w (GREEN)	85Lm/w (Yellow)	65Lm/w (Blue)	85Lm/w (Ambor)
90Lm/w (RGB)	100Lm/w (RGBW)			

Housing materials/外殼材料

Materiales de la carcasa

AISI 316L stainless and Tempered Glass  
AISI 316L不銹鋼316L和鋼化玻璃  
Inoxidable AISI 316L y vidrio templado

Housing Color/ 外殼顏色 /Color de la carcasa

AISI 316L stainless AISI 316L不銹鋼 Inoxidable AISI 316L

Operating Temperature Range / 工作溫度範圍

Rango de temperatura de funcionamiento

-20 °C / +55 °C

Operating Humidity -工作濕度

Humedad de funcionamiento

0~100%, non-condensing-不結霜  
sin condensación

Ingress Protection/ 防護等級

Protección de ingreso

IP68

Dimension/尺寸 Dimensión

Refer to the drawing

Mech impact protection 機械衝擊保護

Protección contra impactos mecánicos

IK08

Comply Testing Standard

符合測試標準

Cumplir el estándar de prueba

LED Luminaires: IEC 60598-1 / IEC 60598-2-13 / IEC TR62778 IEC62471 (RG1); IEC 62031; EN62493  
RoHS  
LED Driver: IEC/EN 61347-1; IEC/EN 61347-2-13; IEC/EN 62384; IEC/EN 61000-3-2;  
IEC/EN 61000-3-3; IEC/EN61574; EN 55015

Certification-認證-Certificación



Project	Fixture#	Date
		Firm

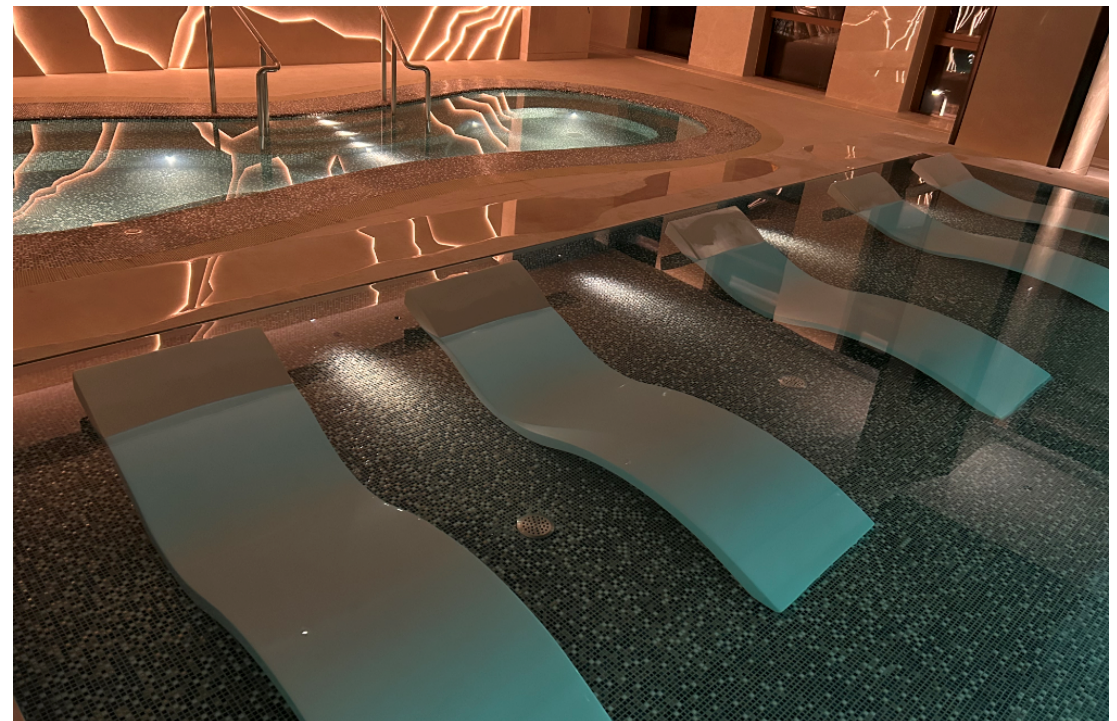
## Ordering Information

Choose the option that suits your need and write its corresponding code on the appropriate line to form the product code.

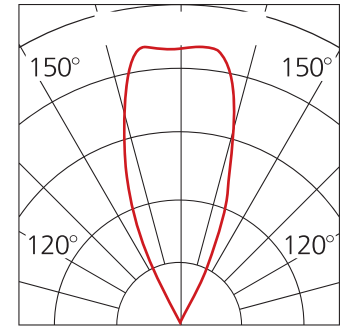
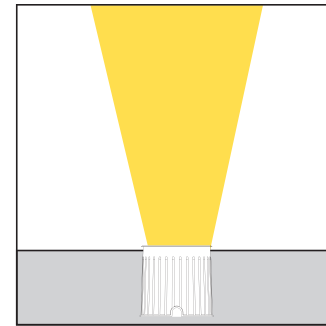
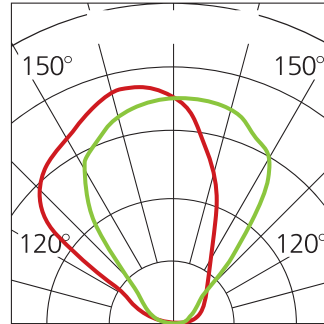
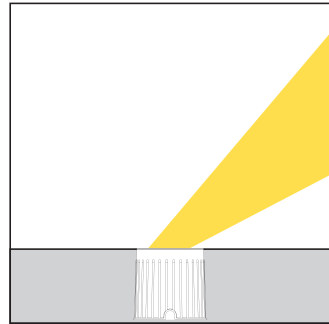
Example product code: [INDICA-48W](#)

INDICA - -  
  
 Power Consumption

Power Consumption	
Code	Description
<a href="#">4W</a>	4W (4*1W) @Dia 116mm or Dia 135mm
<a href="#">8W</a>	8W (4*2W) @Dia 116mm or Dia 135mm
<a href="#">12W</a>	12W (4*3W RGB 3 in1 ) @ Dia 116mm or Dia 135mm
<a href="#">16W</a>	16W (4*4W RGBW 4 in1 ) @ Dia 116mm or Dia 135mm
<a href="#">6W</a>	6W(6*1W)@ Dia 160mm or Dia 180x54mm
<a href="#">12W</a>	12W(6*2W)@ Dia 160mm or Dia 180x54mm
<a href="#">18W</a>	18W (6*3W RGB 3 in1 )@ Dia 160mm or Dia 180x54mm
<a href="#">24W</a>	24W24W (6*4W RGBW 4 in1 ) @ Dia 160mm or Dia 180x54mm
<a href="#">12W</a>	12W (12*1W) @ Dia 180x 55mm or Dia 205mm
<a href="#">24W</a>	12W (12*2W) @ Dia 180x 55mm or Dia 205mm
<a href="#">36W</a>	36W (12*3W RGB 3 in1 ) @ Dia 180x 55mm or Dia 205mm
<a href="#">48W</a>	48W (12*4W RGBW 4 in1 ) @ Dia 180x 55mm or Dia 205mm
<a href="#">18W</a>	18W(18*1W)@ Dia 250mm
<a href="#">36W</a>	36W(18*1W)@ Dia 250mm
<a href="#">42W</a>	42W(18*2.3W)@ Dia 250mm
<a href="#">54W</a>	54W (18*3W RGB 3 in1 ) @ Dia 250mm
<a href="#">72W</a>	72W (18*4W RGBW 4 in1) @ Dia 250mm
<a href="#">8W</a>	8W (1 x 8W COB)@ Dia 116mm or Dia 135mm
<a href="#">15W</a>	15W (1 x 15W COB) @ Dia 160mm or Dia 180x54mm
<a href="#">25W</a>	25W (1 x 25W COB) @ Dia 180x55mm

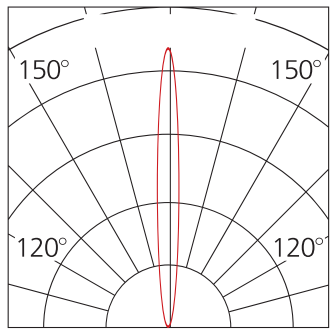


# BEAM ANGLE SMD TYPE

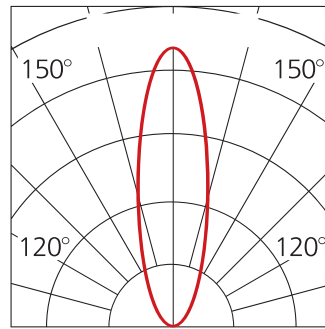
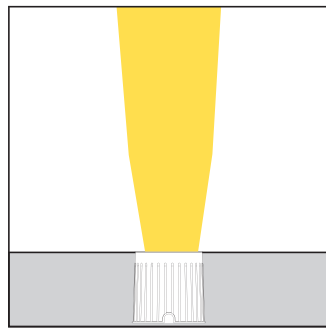


Asymmetric

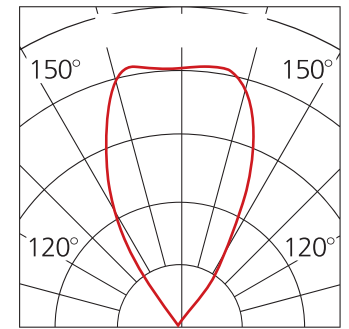
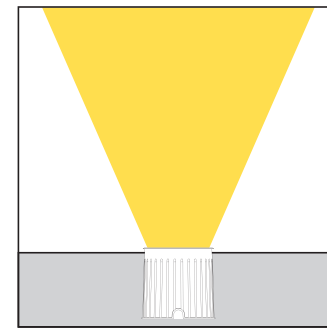
45°



15°

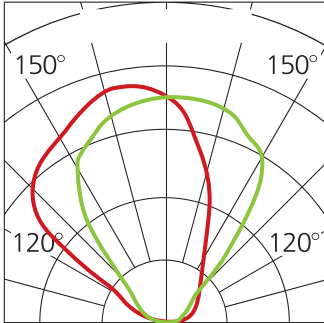
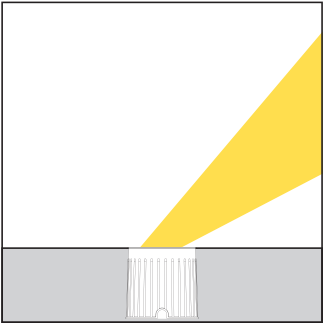


30°

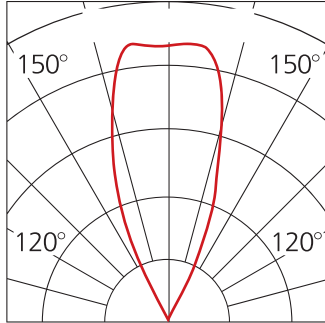
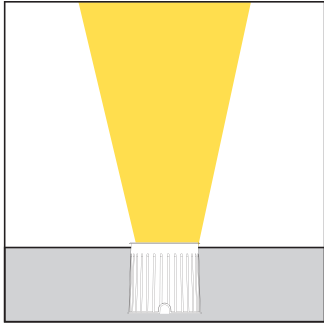


60°

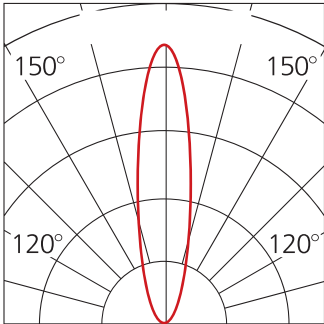
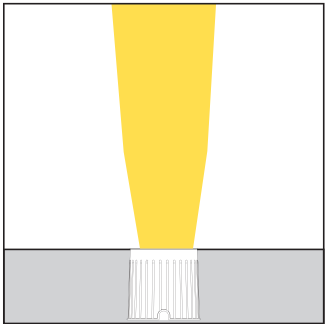
BEAM ANGLE  
COB TYPE



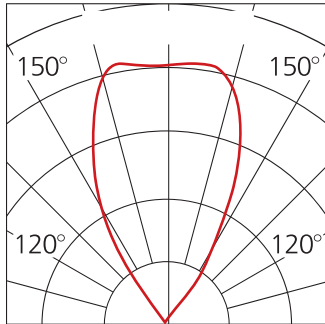
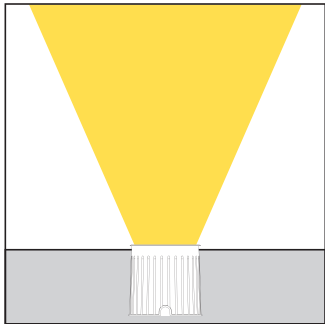
Asymmetric



36°

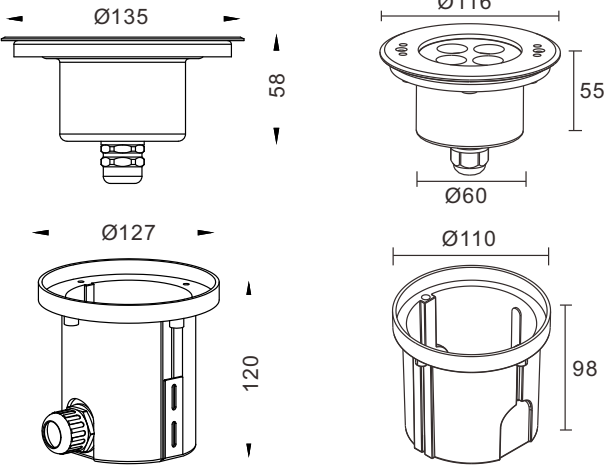
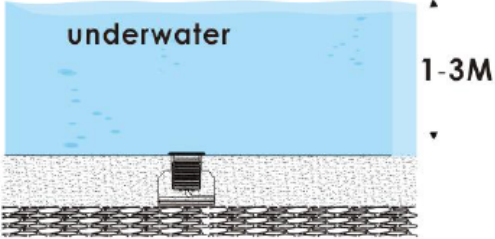


24°



60°

Technical Drawing

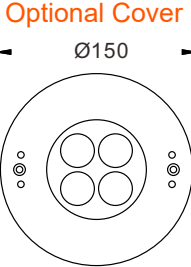


Standard Cable Length : 3 meter

Mounting Sleeve  
Material : ABS



Mounting Bracket type

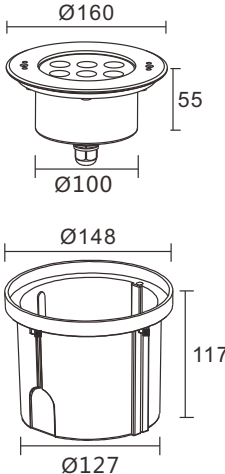
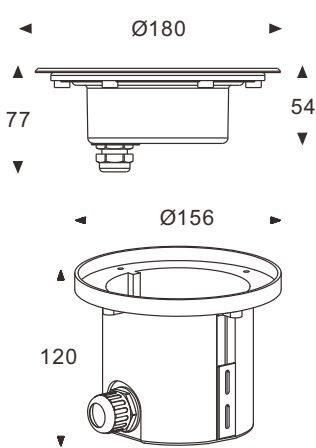


Unit: mm

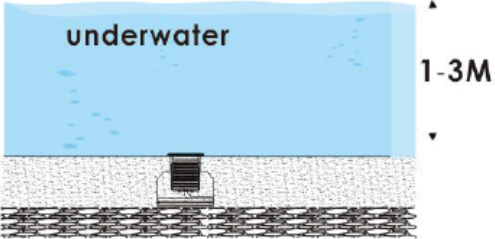
Technical Drawing



Standard Cable Length : 3 meter



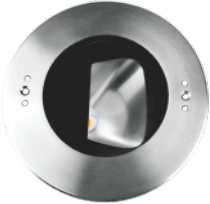
Mounting Sleeve  
Material : ABS



Mounting Bracket type



COB LED Type

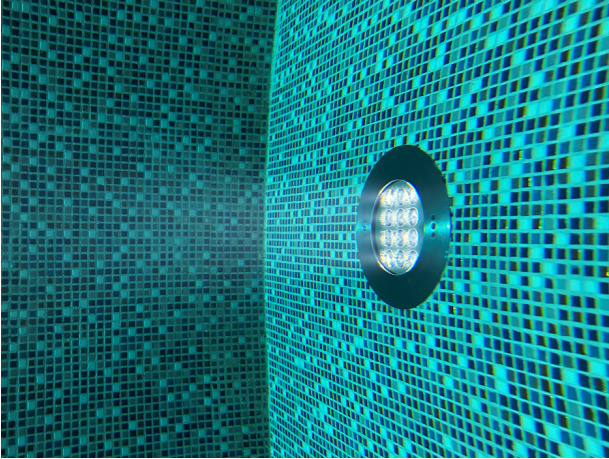
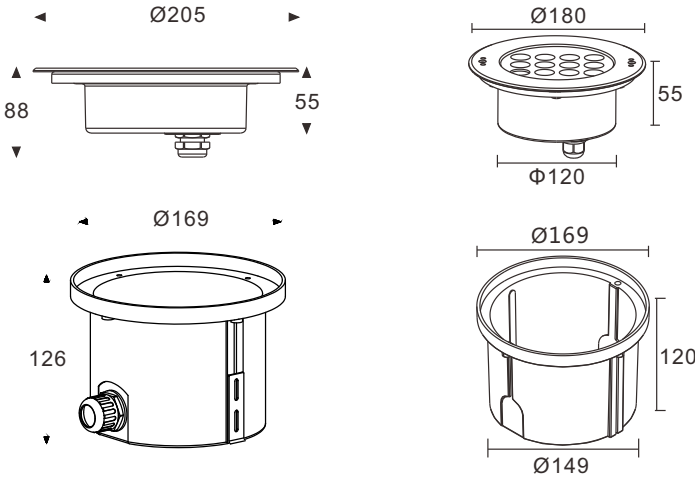


COB Asymmetric Angle



Unit: mm

Technical Drawing



Standard Cable Length : 3 meter

Mounting Sleeve  
Material : ABS

Unit: mm

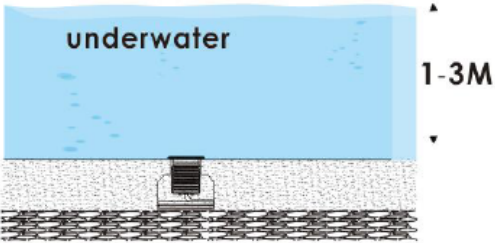
Mounting Bracket type



COB LED Type

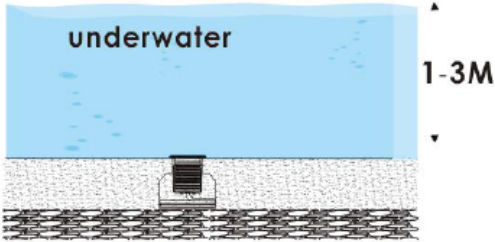
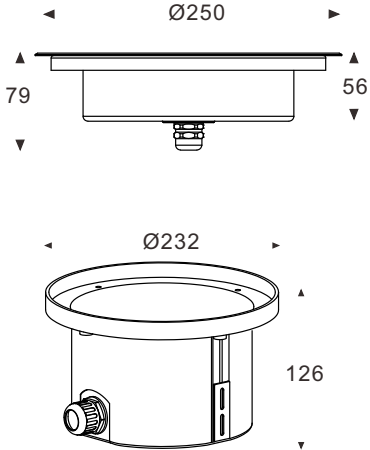


COB Asymmetric Angle





# Technical Drawing



Standard Cable Length : 3 meter

Mounting Sleeve  
Material : ABS

Unit: mm

Mounting Bracket type

