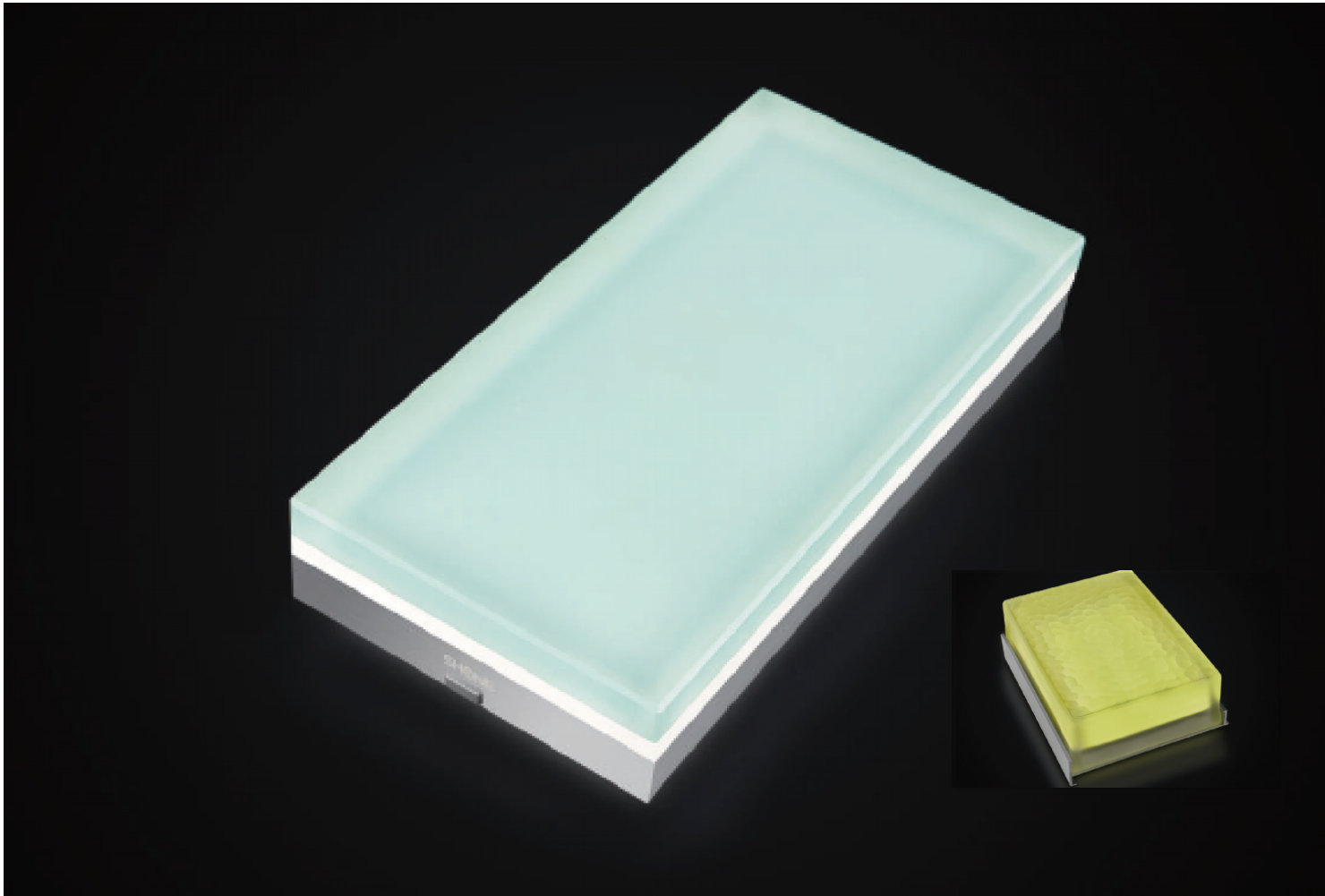





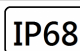




LACED

7W-25W IP68



LED in-ground luminaires with small dimensions for flush-mounting installation. The luminaire housing made of AISI 304 stainless steel with 4mm or 10mm thickness frosted milky tempered glass. Outer casing made of 304 stainless steel material. It is able to be controlled by DMX and RDM. It's as well a great alternative to urban furniture due to its IP68 and IK10 protection rating.

Technical Data

Luminaire Type 安裝方式 Tipo de luminaria	Recessed In-Ground or Recessed wall mounted Type 內嵌式地理安裝或內嵌式牆壁安裝 Empotrado en el suelo o empotrado en la pared
Power Consumption Max 燈具功率 Consumo de energía Max	• L: 220mm x W: 80mm : 7W 10W 14W • L: 220mm x W: 180mm : 18W 20W 23W 25W
Input Voltage 輸入電壓 Voltaje de entrada	DC24V
LED Driver Type LED 驅動款式 Tipo de controlador LED	Remote-type LED Driver--Refer to LED driver specification 請參閱LED驅動器規格 Consulte la especificación de controlador de LED 1. ON/OFF Switch AC220-240V 50/60HZ @ Integrated-type 2.10V Dimming Driver AC100-240V 50/60HZ 3. Dali Dimming Driver AC100-240V 50/60HZ
Control Protocol 控制協議 Protocolo de Control	0-10V / Dali / DMX 512 / RDM / ZIGBEE Wireless Control
Beam Angle 光東角 ángulo de haz	120°
Light Source Brand/光源品牌 Fuente de luz de marca	CREE
"Lumen Maintenance LM-80 Reported by TM-21"	L90(10k) = 50,700 hrs / L80(10k) > 63,500 hrs / L70(10k) > 63,500 hrs
LED Life/LED壽命 La vida del LED	>60,000 hours
Color Temperature / Color 色溫 / 顏色 Temperatura del color	2700K / 3000K / 4000K / 5000K / 6500K Mono Color : RED, AMBOR, GREEN, BLUE. Multi-color : RGB RGBW
Color Rendering Index/顯色指數 Índice de reproducción cromática	>80 >90
MacAdam Ellipses Binning 麥克亞當橢圓分級 Mac Adam binning ellipse	Standard Deviation Colour Matching < 3 SDCM 標準偏差配色 < 3 SDCM Coincidencia de color estándar Desviación < 3 SDCM
Luminaire Efficacy 燈具效率 La eficacia de la luminaria	Recessed -Inground Type -10mm thickness frosted milky tempered glass • 50 Lm/w(2700K), 50 Lm/w(3000K), 60Lm/w(4000K), • 70 Lm/w(5000K), 70 Lm/w(6500K), • MONO Color : 30Lm/w RED , 35 Lm/w GREEN ; 15Lm/w BLUE, 30Lm/w Ambor • Multi-Color : 30Lm/w RGB 40Lm/w RGBW Recessed -wall mounted Type -4mm thickness frosted milky tempered glass • 90 Lm/w(2700K), 90 Lm/w(3000K), 100 Lm/w(4000K), • 105 Lm/w(5000K), 105 Lm/w(6500K), • MONO Color : 45Lm/w RED , 50 Lm/w GREEN ; 20Lm/w BLUE, 45Lm/w Ambor • Multi-Color : 45Lm/w RGB 60Lm/w RGBW
LED Source Luminous Efficacy LED 光源光效 Fuente luminosa LED Eficacia	• 120 Lm/w(2700K), 120 Lm/w(3000K), 130 Lm/w(4000K), • 140 Lm/w(5000K), 140 Lm/w(6500K), • • MONO Color : 90Lm/w RED , 100 Lm/w GREEN ; 40Lm/w BLUE, 90Lm/w Ambor • • Multi-Color : 90Lm/w RGB 110Lm/w RGBW
Housing materials/外殼材料 Materiales de la carcasa	Recessed -Inground 內嵌式地理燈 Empotrada en el suelo del Tipo • 10mm thickness frosted milky tempered glass wiht #304 Stainless Steel body • 10mm 磨砂乳白鋼化玻璃 & 304不鏽鋼燈體 • Vidrio templado lechoso esmerilado de 10 mm de espesor con cuerpo de acero inoxidable # 304 Recessed wall mounted Type 內嵌式牆壁安裝 empotrado en la pared • 4mm thickness frosted milky tempered glass wiht #304 Stainless Steel body • 4mm 磨砂乳白鋼化玻璃 & 304不鏽鋼燈體 • Vidrio templado lechoso esmerilado de 4mm de espesor con cuerpo de acero inoxidable # 304
Housing Color/ 外殼顏色 Color de la carcasa	#304 Stainless Steel Casing and Frosted tempered glass #304 不鏽鋼外殼和磨砂鋼化玻璃 Carcasa de acero inoxidable n.º 304 y vidrio templado esmerilado
Operating Temperature Range / 工作溫度範圍 Rango de temperatura de funcionamiento	-30 °C / +50 °C
Operating Humidity -工作濕度 Humedad de funcionamiento	0~90%, non-condensing-不結霜 sin condensación
Ingress Protection/ 防護等級 Protección de ingreso	IP68
Mech impact protection 機械衝擊保護 Protección contra impactos mecánicos	IK10
Environment/ 使用環境 Medio ambiente	2,000 kg (~20 kN) for In-ground light Version
Dimension/尺寸 Dimensión	Refer to Technical Drawing / 參考技術圖紙 / Consulte el dibujo técnico.
Comply Testing Standard 符合測試標準 Cumplir el estándar de prueba	LED Luminaires: IEC 60598-1 / IEC 60598-2-13 / IEC TR62778 IEC62471 (RG1); IEC 62031; EN62493 RoHS LED Driver: IEC/EN 61347-1; IEC/EN 61347-2-13; IEC/EN 62384; IEC/EN 61000-3-2; IEC/EN 61000-3-3; IEC/EN61574; EN 55015
Certification-認證-Certificación	       

Project	Fixture#	Date
		Firm

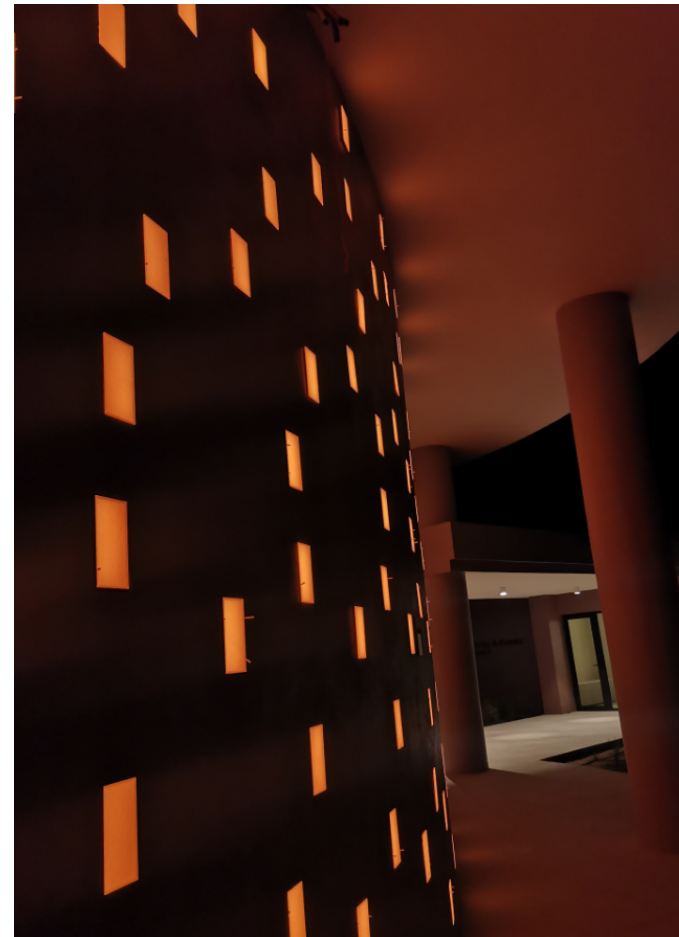
Ordering Information

Choose the option that suits your need and write its corresponding code on the appropriate line to form the product code.

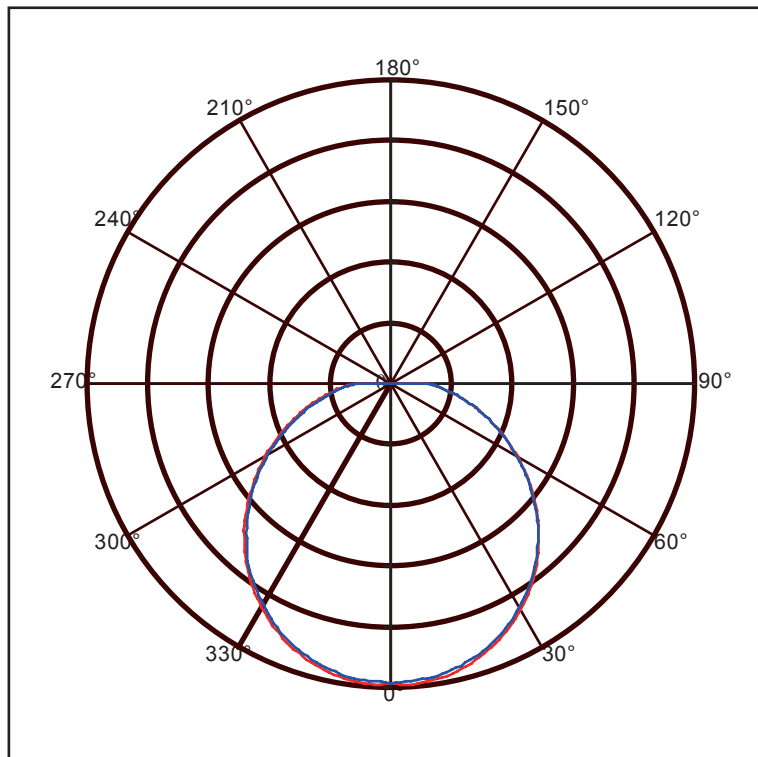
Example product code: [LACED-7W](#)

LACED - - _____
Power Consumption

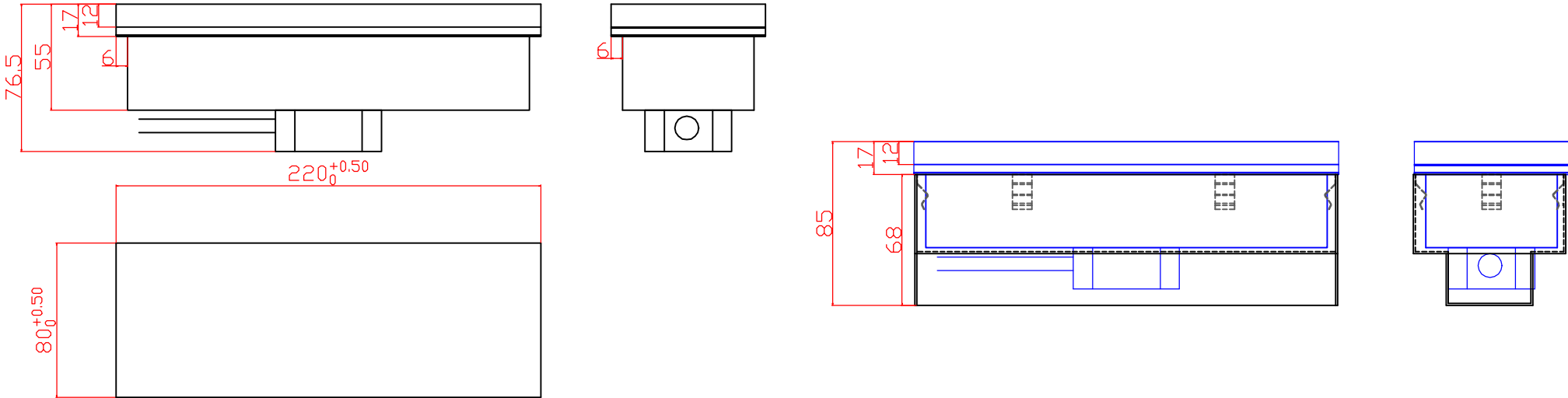
Power Consumption	
Code	Description
7W	7W@L: 220mm x W: 80mm
10W	10W@L: 220mm x W: 80mm
14W	14W@L: 220mm x W: 80mm
18W	18W@L: 220mm x W: 180mm :
20W	20W@L: 220mm x W: 180mm :
23W	23W@L: 220mm x W: 180mm
25W	25W@L: 220mm x W: 180mm



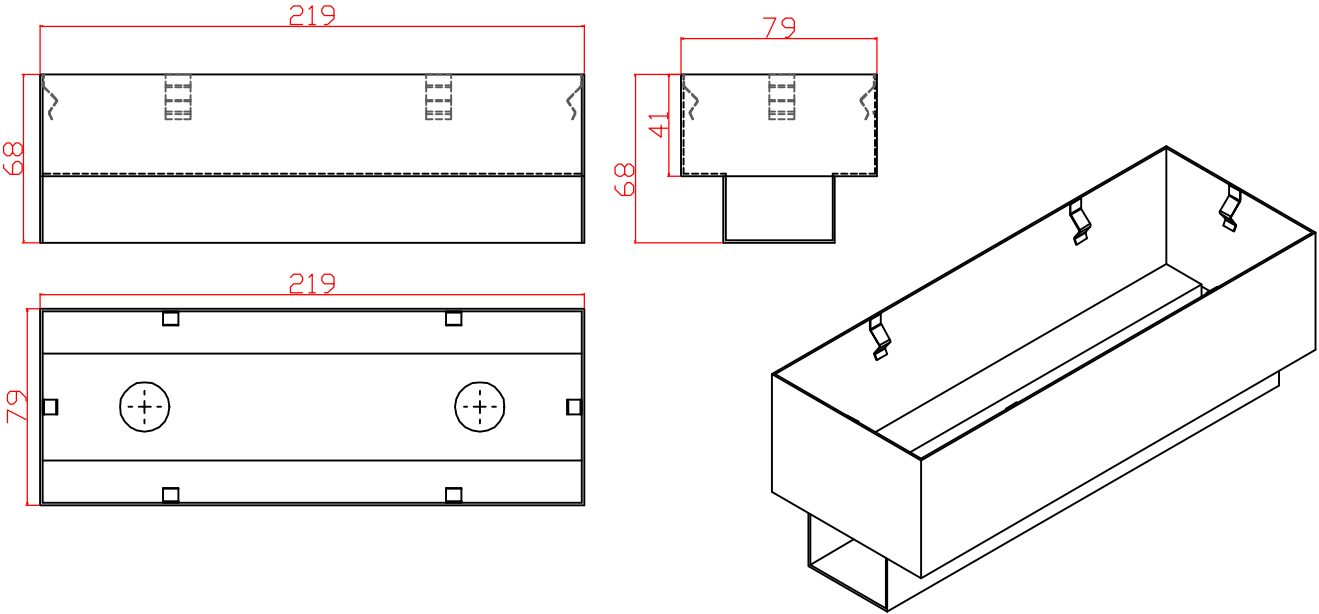
BEAM ANGLE



Technical Drawing



Outer Casing



Unit: mm