

LAHAN-S

L 1200 x W 50 x H75 mm 40W



- Adopt high lumen SMD light source, flicker-free and high-efficiency driver make a better lumen.
- Aluminum housing provides excellent thermal management.
- Multiple installations: Pendant / Ceiling / Wall mounted
- High lumen efficiency, 100LM/W.
- Non-dim / DALI / 0/1-10V dim.
- With emergency type.

LAHAN-S

L 1200 x W 50 x H75 mm 40W

DIMON
TECHNOLOGY

Technical Data

Installation method / 安裝方式 / Metodo de instalacion

Pendant Mounted / Ceiling Mounted / Wall Mounted

吊掛式/吸頂式/壁掛式

Montado en suspensión / Montado en techo / Montado en pared

Dimension-尺寸-Dimensión

L: 605 x W:50 x H:75mm

L: 1200 x W:50 x H:75mm

Power Consumption Max-燈具功率

L:605mm: 10W 15W 20W

Consumo de energía Max

L:1200mm: 25W 30W 36W 40W

Input Voltage-輸入電壓-Voltaje de entrada

AC220-240V 50/60HZ

LED Driver Type

LED驅動款式

Tipo de controlador LED

Integrated-type LED Driver--Refer to LED driver specification 請參閱LED驅動器規格

Consulte la especificación de controlador de LED

1. ON/OFF Switch AC220-240V 50/60HZ

2. 0/1 -10V Dimming Driver AC220-240V 50/60HZ

3. DALI Dimming Driver AC220-240V 50/60H

4. ZIGBEE Dimming Driver AC220-240V 50/60H

5. Remote Type Emergency Battery Kit with battery Back up 2 hours or 3hours

LED Driver Features驅動特性

Funciones del controlador de LED

POWER FACTOR : PF>0.90

TOTAL HARMONIC DISTORTION: THD< 20%

Control Protocol-控制協議

Protocolo de Control

0/1-10V / DALI / ZIGBEE Wireless Control

Beam Angle/光束角/ángulo de haz

100°

Light Source Brand-光源品牌-Fuente de luz de marca

CREE / Osram / Lumileds

"Lumen Maintenance LM-80 Reported by TM-21"

L70 > 54,000 hrs

LED Life-LED壽命-La vida del LED

>100,000 hours

Color Temperature -色溫

Temperatura del color

2700K / 3000K / 4000K / 5000K / 6500K

Color Rendering Index-顯色指數

Índice de reproducción cromática

> 80

> 90

MacAdam Ellipses Binning

麥克亞當橢圓分級

Mac Adam binning ellipse

Standard Deviation Colour Matching < 3 SDCM

標準偏差配色< 3 SDCM

Coincidencia de color estándar Desviación < 3 SDCM

Luminaire Efficacy 燈具效率

La eficacia de la luminaria

80 lm/w(2700K), 90 lm/w(3000K), 100 lm/w(4000K),

100 lm/w(5000K), 100 lm/w(6500K)

LED Source Luminous Efficacy

LED光源光效

Fuente luminosa LED Eficacia

130 lm/w(2700K), 140 lm/w(3000K), 150 lm/w(4000K),

150 lm/w(5000K), 150 lm/w(6500K)

Housing materials-外殼材料

Materiales de la carcasa

Die-cast aluminum and Opal Polycarbonate Diffuser 壓鑄鋁和乳白擴散器

Fundición de aluminio y PC

Housing Color外殼顏色, color de la carcasa

Matte White 砂白色 Matte Black 砂黑色

Ingress Protection-防護等級 Protección de ingreso

IP20

Operating Temperature Range / 工作溫度範圍

Rango de temperatura de funcionamiento

-20 °C / +50 °C

Operating Humidity -工作濕度

Humedad de funcionamiento

0~90%, non-condensing-不結霜

sín condensación

Comply Testing Standard 符合測試標準

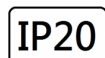
Cumplir el estándar de prueba

LED Luminaries: LVD: IEC/EN 60598-1;EN / IEC/EN 60598-2-1;IEC62471;IEC/EN 62031; IEC/EN 62493; IEC/EN 62471 (Risk Group 1)

LED Driver: IEC/EN 61347-1; IEC/EN 61347-2-13; IEC/EN 62384; IEC/EN 61000-3-2;

IEC/EN 61000-3-3;IEC/EN61574;EN 55015; IEC /EN 62384

Certification-認證-Certificación



Project	Fixture#	Date
		Firm

Ordering Information

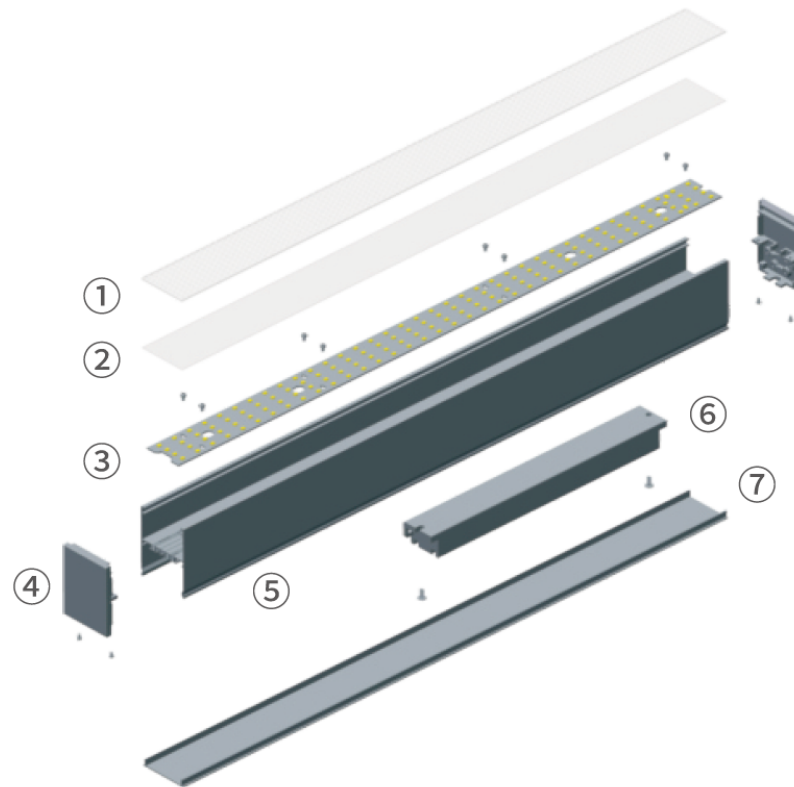
Choose the option that suits your need and write its corresponding code on the appropriate line to form the product code.

Example product code: [LAHAN-36W](#)

LAHAN-S - -

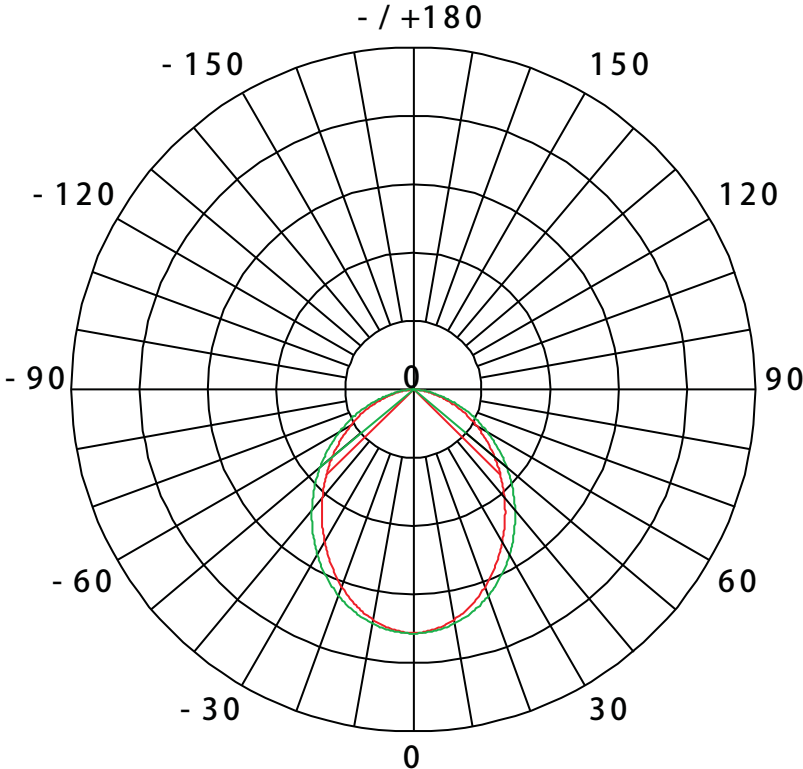
Power Consumption

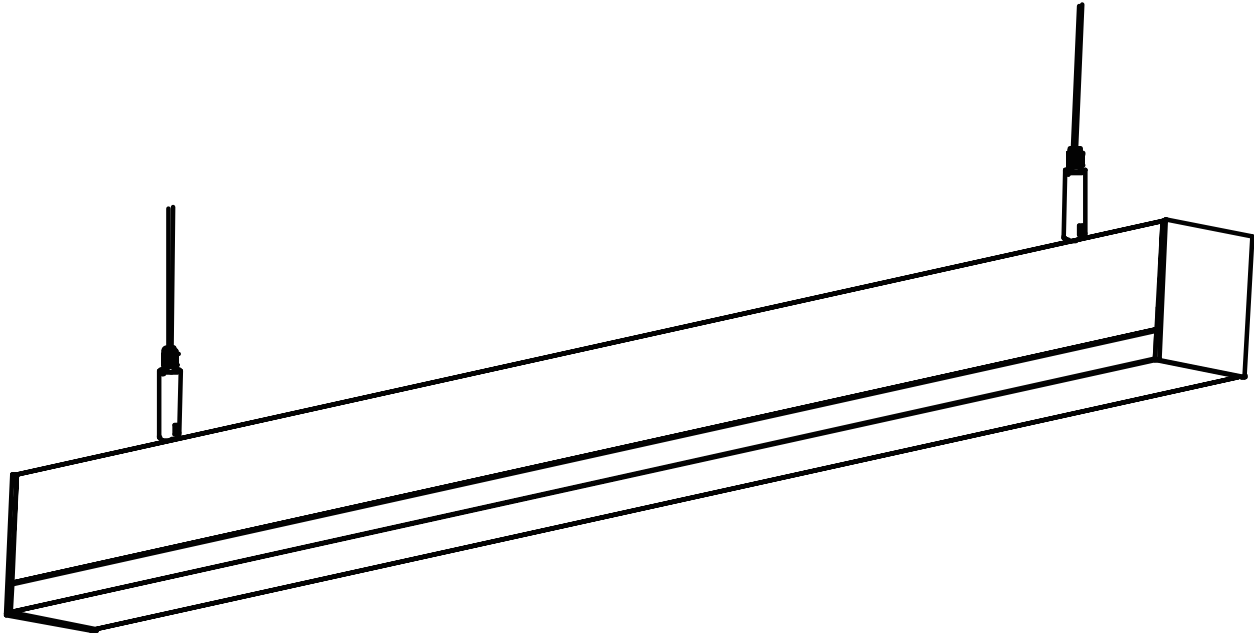
Power Consumption	
Code	Description
10W	10W @ L: 605mm
15W	15W @ L: 605mm
20W	20W @ L: 605mm
25W	25W @ L: 1200mm
30W	30W @ L: 1200mm
36W	36W @ L: 1200mm
40W	40W @ L: 1200mm



- ① Diamond Cover
- ② Lampshade
- ③ Light Board
- ④ End Cap
- ⑤ Main Body
- ⑥ Power Supply
- ⑦ Back Cover

BEAM ANGLE





L605 x W50 x H75mm
L1200 x W 50 x H75mm