

LASHA









W:68xH:90mm 36W Max Trimless [L=863-3943mm (280mm step)]



LED LINEAR LIGHT. Housing: Extrusion aluminum, powder-coated, designed as heatsink. Anti-glare reflector and diffuser system made of PMMA. LED module: SMD LEDs, CRI>80, LM-80 performance approval >50,000 hours. Integrated-Type ELV, 0-10V, DALI, DMX and RDM LED constant current control gear. Deep recessed design achieves super eye comfort. The fixture can be available in different length. Trimless Recessed & Surface & Pendant Mount Type can be available.

Technical Data

Luminaire Type
安裝方式
Tipo de luminariaTrimless Recessed & Surface & Pendant Mount Type
嵌入式明裝式&吊裝燈具
Tipo de montaje empotrado y empotrado y colgante

Dimension-尺寸-Dimensión	L: 1143 x W: 68 x H: 90 mm [L=1143-3943mm (280mm step)]
Cut off Dimension-開孔尺寸-Cortar Dimensión	L: 1143 x W: 68 mm [L=1143-3943mm (280mm step)] @ TRIMLESS RECESSED
Power Consumption Max-燈具功率 Consumo de energía Max	<ul style="list-style-type: none"> • 13W @ L: 863 x W: 68 x H: 90 mm • 11W @ L: 1143 x W: 68 x H: 90 mm • 18W @ L: 1143 x W: 68 x H: 90 mm • 25W @ L: 1143 x W: 68 x H: 90 mm • 36W @ L: 1143 x W: 68 x H: 90 mm @ L: 2263 x W: 68 x H: 90 mm • 33W @ L: 1703 x W: 68 x H: 90 mm • 39W @ L: 1703 x W: 68 x H: 90 mm • 42W @ L: 1983 x W: 68 x H: 90 mm • 45W @ L: 1983 x W: 68 x H: 90 mm • 48W @ L: 2263 x W: 68 x H: 90 mm • 52W @ L: 2263 x W: 68 x H: 90 mm
Input Voltage-輸入電壓-Voltaje de entrada	100-240 VAC / 100-277VAC 50-60Hz,
Power Factor / 功率因數/Factor de potencia	PF>0.90
Total Harmonic Distortion/總諧波失/Distorsión armónica total	THD<20%
LED Driver Type LED驅動款式 Tipo de controlador LED	Integrated-type LED Driver--Refer to LED driver specification 請參閱LED驅動器規格 Consulte la especificación de controlador de LED 1. ON/OFF Switch AC220-240V 50/60HZ 2. ELV Dimming Driver (5-100%) AC 100-120V 50/60Hz or AC 200-240V 50/60HZ 3. 0-10V Dimming Driver AC100-240V 50/60HZ 4. Dali Dimming Driver AC100-240V 50/60HZ 5. DMX Driver AC100-240V 50/60HZ 6. RDM Driver AC100-240V 50/60HZ 7. Emergency Backup >2 hours or >3 hours @ < 24 charger hours 應急電池/Copia de seguridad de emergencia
Control Protocol-控制協議 Protocolo de Control	0-10V / Dali / DMX 512 / RDM / ZIGBEE Wireless Control
Beam Angle 光束角 ángulo de haz	110°
Light Source Brand-光源品牌-Fuente de luz de marca	ZHAGA - (Photobiological safety-IEC 62471 'Risk Group 1' (low risk))
"Lumen Maintenance LM-80 Reported by TM-21"	1. L90(10k) = 50,700 hrs 2. L80(10k) > 63,500 hrs 3. L70(10k) > 63,500 hrs
LED Life-LED壽命-La vida del LED	>60,000 hours
Color Temperature -色溫 Temperatura del color	2700K / 3000K / 4000K / 5000K / 6500K
Color Rendering Index-顯色指數 Índice de reproducción cromática	> 80
MacAdam Ellipses Binning 麥克亞當橢圓分級 Mac Adam binning ellipse	Standard Deviation Colour Matching < 3 SDCM 標準偏差配色< 3 SDCM Coincidencia de color estándar Desviación < 3 SDCM
Luminaire Efficacy 燈具效率 La eficacia de la luminaria	<ul style="list-style-type: none"> • 95 Lm/w(2700K), • 95 Lm/w(3000K), • 100 Lm/w(4000K), • 105 Lm/w(5000K), • 105 Lm/w(6500K),
LED Source Luminous Efficacy LED光源光效 Fuente luminosa LED Eficacia	<ul style="list-style-type: none"> • 110 Lm/w(2700K), • 110 Lm/w(3000K), • 120 Lm/w(4000K), • 130 Lm/w(5000K), • 130 Lm/w(6500K),
Housing materials-外殼材料 Materiales de la carcasa	Aluminium Alloy and PMMA Opal diffuser 鋁合金和亞克力擴散板 Aleación de aluminio y difusor de PMMA Opal
Housing Color 外殼顏色 color de la carcasa	Matte white / Matte black / Matte silver 啞光白色 / 啞光黑色 / 啞光銀色 Blanco mate / Matte black / Astilla mate
Operating Humidity -工作溫度 Humedad de funcionamiento	0~90%, non-condensing-不結霜 sin condensación
Operating Temperature Range / 工作溫度範圍 Rango de temperatura de funcionamiento	-30 °C / +50 °C
Ingress Protection-防護等級 Protección de ingreso	IP20
Environment-使用環境-medio ambiente	Indoor
Comply Testing Standard 符合測試標準 Cumplir el estándar de prueba	<ul style="list-style-type: none"> • LED Luminaries: LVD: IEC/EN 60598-1;EN / IEC/EN 60598-2-1;IEC62471;IEC/EN 62031; IEC/EN 62493; IEC/EN 62471 • EMC: EN55015; IEC/EN 61000-3-2; IEC/EN 61000-3-3;IEC/EN61574; RoHS • LED Driver: IEC/EN 61347-1; IEC/EN 61347-2-13; IEC/EN 62384; IEC/EN 61000-3-2; • IEC/EN 61000-3-3;IEC/EN61574;EN 55015; IEC /EN 62384
Certification-認證-Certificación	       

Project	Fixture#	Date
		Firm

Ordering Information

Choose the option that suits your need and write its corresponding code on the appropriate line to form the product code.

Example product code: [LASHA-52W-SW-D-S](#)

LASHA - - _____ - _____ - _____ - _____
Power Consumption
LED DRIVER TYPE
COLOR TEMPERATURE
Installation Type

Power Consumption		LED DRIVER TYPE		COLOR TEMPERATURE		Installation Type	
Code	Description	Code	Description	Code	Description	Code	Description
13W	13W @ L: 863 x W: 68 x H: 90 mm	SW	ON/OFF Switch	O	2700K	R	Recessed Mounted
18W	18W @ L: 1143 x W: 68 x H: 90 mm	AN	0 -10V Dimming	D	3000K	S	Surface Mounted
25W	25W @ L: 1143 x W: 68 x H: 90 mm	DA	DALI Dimming	N	4000K	P	Pendant Mounted
36W	36W @ L: 1143 x W: 68 x H: 90 mm @ L: 2263 x W: 68 x H: 90 mm	DMX	DMX Dimming	C	5000K		
33W	33W @ L: 1703 x W: 68 x H: 90 mm	EM	Emergency Battery	CW	6500K		
39W	39W @ L: 1703 x W: 68 x H: 90 mm	ZI	ZIGBEE Wireless Control				
42W	42W @ L: 1983 x W: 68 x H: 90 mm						
45W	45W @ L: 1983 x W: 68 x H: 90 mm						
48W	48W @ L: 2263 x W: 68 x H: 90 mm						
52W	52W @ L: 2263 x W: 68 x H: 90 mm						

Accessories



Gateway- NANO



INNO-SENSOR-823



INNO-SENSOR-826



Z501-CZ

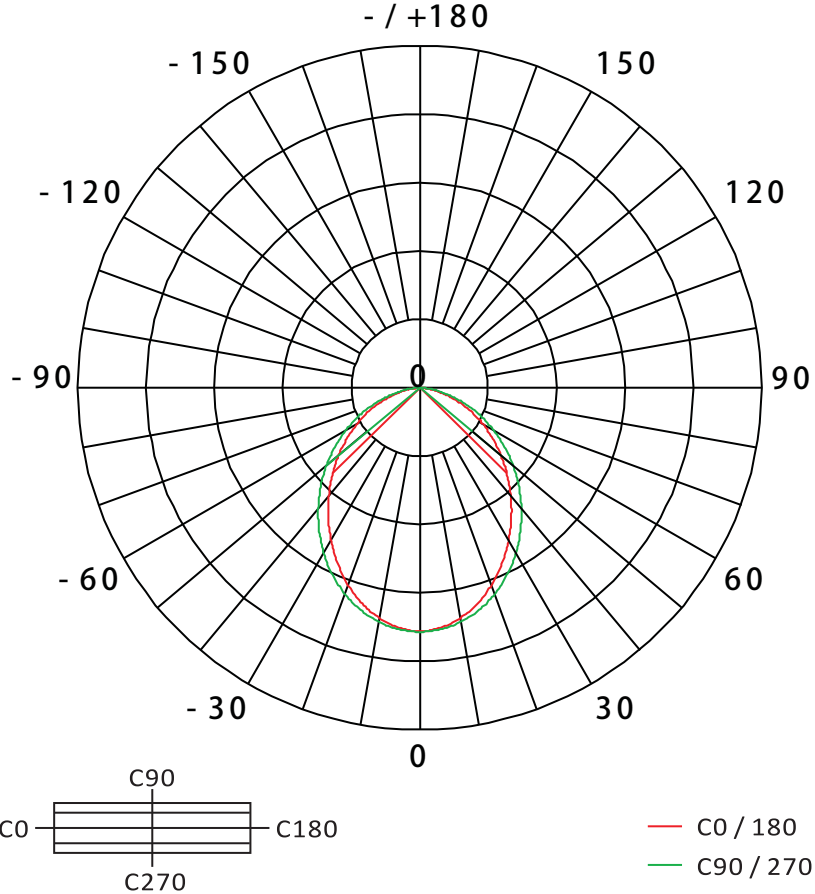


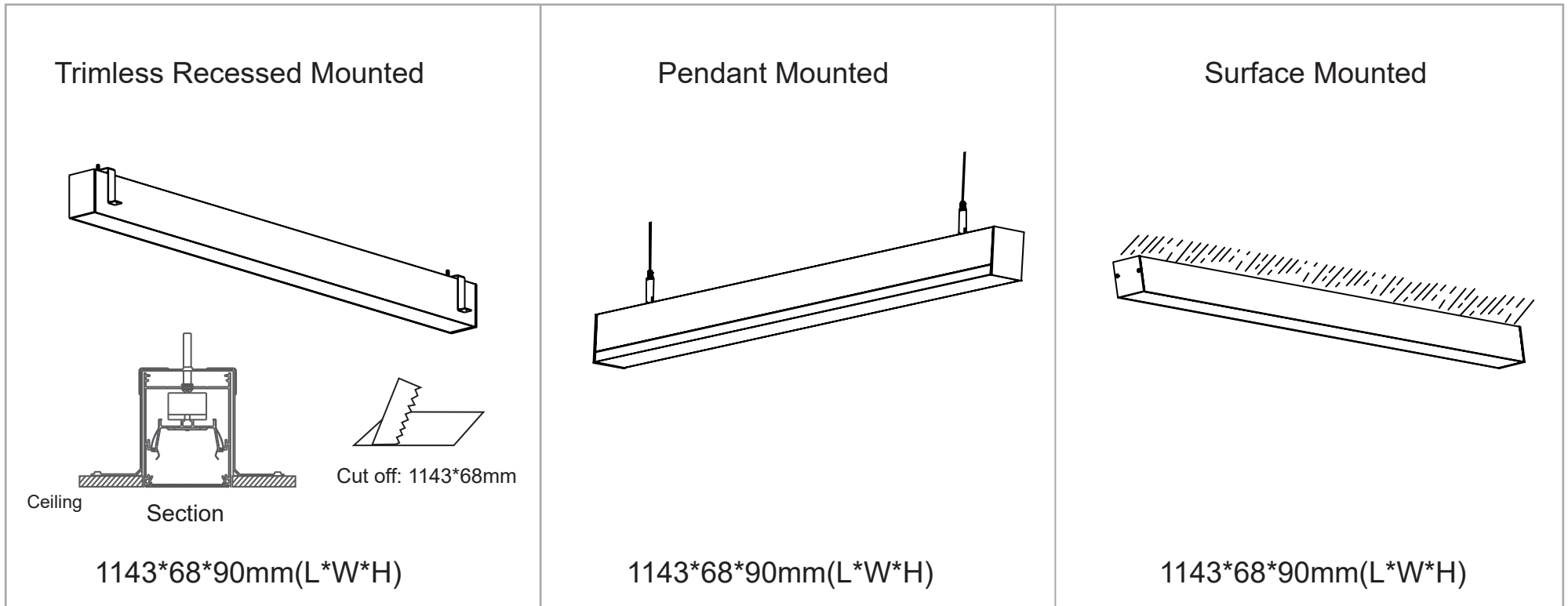
INNO719



INNO817

BEAM ANGLE





L=863-3943mm (280mm step)(Other size)

Unit: mm