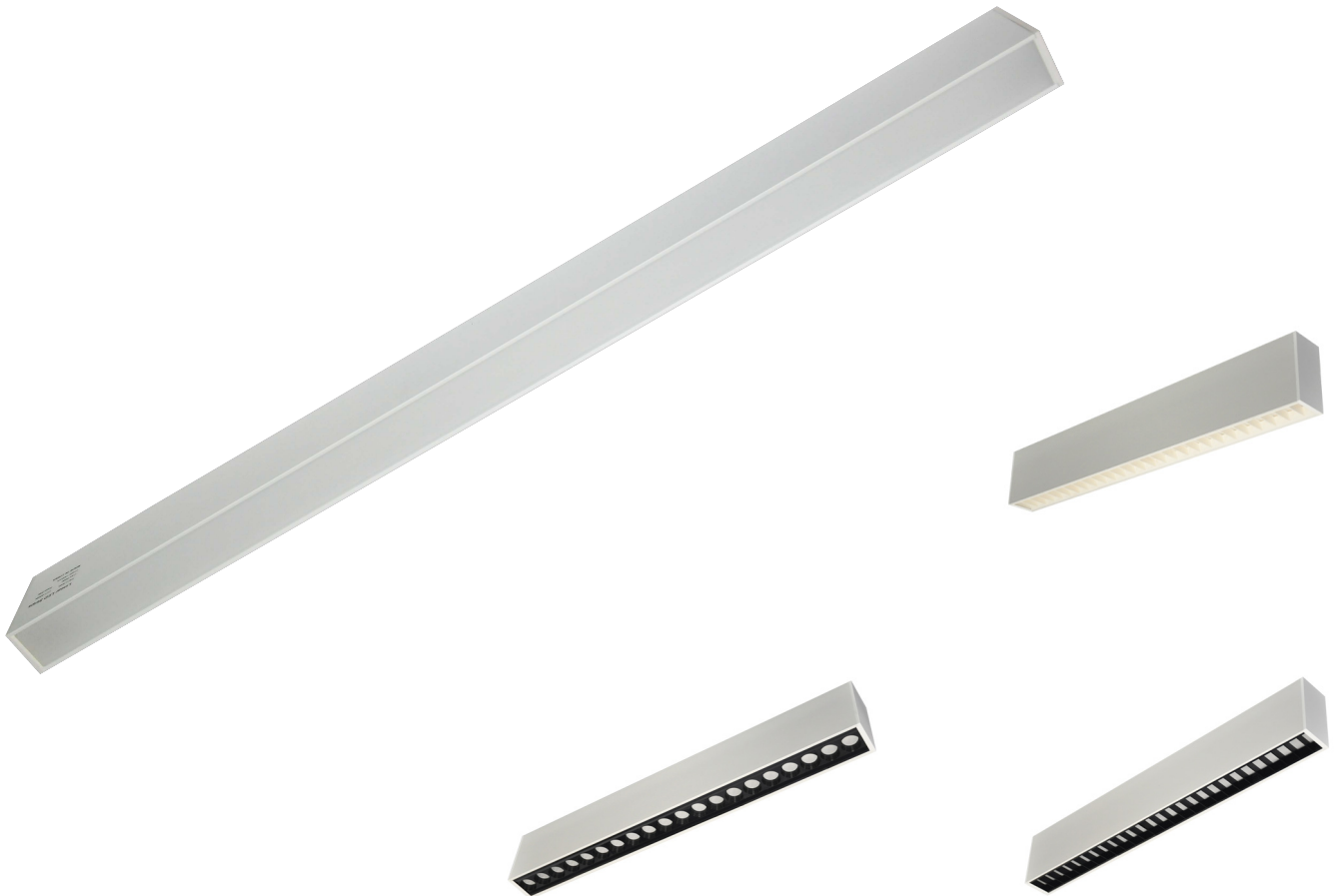


LASHE

W50xH95mm Max 93W IP40



ZigBee®



LED Linear Light. Housing: made by Extrusion aluminum fixture body with multi-type of Diffuser , Louver and Lens system to achieve Low Glare application UGR <6 , UGR 13, UGR 19 and UGR 22. Wall mounted, Recessed mounted, Pendant mounted is available.

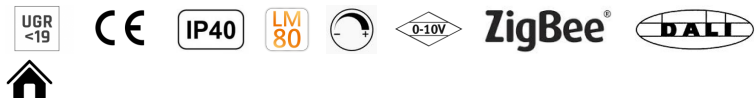
Technical Data

Luminaire Type-安裝方式Tipo de luminaria

Wall Mounted Type & Surface & Suspended Mounted & Recessed Mounted
壁掛式 & 吸頂 & 吊裝 & 嵌入式安裝
Tipo montado en la pared y en superficie y suspendido y empotrado

Dimension-尺寸-Dimensión	<ul style="list-style-type: none"> L: 570 (140x4+10) x 95 x 50 mm (LxHxW) L: 850 (140x6+10) x 95 x 50 mm (LxHxW) L: 1130(140x8+10) x 95 x 50 mm (LxHxW) L: 1410(140x10+10) x 95 x 50 mm (LxHxW) L: 1690(140x12+10) x 95 x 50 mm (LxHxW) L: 3080 x 95 x 50 mm (LxHxW) 	<ul style="list-style-type: none"> L: 710 (140x5+10) x 95 x 50 mm (LxHxW) L: 990 (140x7+10) x 95 x 50 mm (LxHxW) L: 1270(140x9+10) x 95 x 50 mm (LxHxW) L: 1550(140x11+10) x 95 x 50 mm (LxHxW) L: 1830(140x13+10) x 95 x 50 mm (LxHxW)
Power Consumption with LED Driver LED燈具包括LED驅動電源功率 Consumo de energía con controlador de LED	<ul style="list-style-type: none"> 12W & 24W @ L: 570 (140x4+10) x 95 x 50 mm (LxHxW) 15W & 30W @ L: 710 (140x5+10) x 95 x 50 mm (LxHxW) 18W & 36W @ L: 850 (140x6+10) x 95 x 50 mm (LxHxW) @ L:1130(140x8+10) x 95 x 50 mm (LxHxW) 21W & 26W & 42W @ L: 990 (140x7+10) x 95 x 50 mm (LxHxW) 12W & 24W & 48W @ L:1130(140x8+10) x 95 x 50 mm (LxHxW) 27W & 54W @ L:1270(140x9+10) x 95 x 50 mm (LxHxW) 30W & 60W @ L:1410(140x10+10) x 95 x 50 mm (LxHxW) 33W & 66W @ L: 1550(140x11+10) x 95 x 50 mm (LxHxW) 36W & 72W @ L: 1690(140x12+10) x 95 x 50 mm (LxHxW) 39W & 78W @ L: 1830(140x13+10) x 95 x 50 mm (LxHxW) 73W @ L: 3080 x 95 x 50 mm (LxHxW) 93W @ L: 3080 x 95 x 50 mm (LxHxW) 	
LED Driver Type LED驅動款式 Tipo de controlador LED	<p>Integrated -type LED Driver--Constant Current LED Driver Refer to LED driver specification 請參閱LED驅動器規格 Consulte la especificación de controlador de LED</p> <ol style="list-style-type: none"> ON/OFF Switch AC220-240V 50/60HZ ELV Dimming Driver (5-100%) AC 100-120V 50/60HZ or AC 200-240V 50/60HZ 0-10V Dimming Driver AC100-240V 50/60HZ Dali Dimming Driver AC100-240V 50/60HZ DMX Driver AC100-240V 50/60HZ RDM Driver AC100-240V 50/60HZ ZIGBEE Wireless Control AC100-240V 50/60HZ Remoted-Type Emergency Backup >2 hours or >3 hours < 24 charger hours應急電池/Copia de seguridad de emergencia 	
LED Driver Features Constant Current LED Driver: 驅動特性-恆流LED驅動器 Funciones del controlador de LED	<p>POWER FACTOR : PF>0.90 @ Full Load TOTAL HARMONIC DISTORTION: THD< 20%</p>	
Control Protocol/控制協議/Protocolo de Control	0-10V / Dali / DMX 512 / RDM / ZIGBEE Wireless Control	
Light Source Brand-光源品牌-Fuente de luz de marca	OSRAM for PC Diffuser Version & PMMA Aysmetric Diffuser or CREE for Lens Version (Photobiological safety-IEC 62471 'Risk Group 1' (low risk))	
"Lumen Maintenance LM-80 Reported by TM-21"	1. L90(10k) = 50,700 hrs 2. L80(10k) > 63,500 hrs 3. L70(10k) > 63,500 hrs	
LED Life-LED壽命-La vida del LED	>60,000 hours	
Color Temperature -色溫Temperatura del color	2700K / 3000K / 4000K / 5000K / 6000K / 6500K / CCT Adjustable (2700K-6500K)	
Color Rendering Index-顯色指數 Índice de reproducción cromática	<ul style="list-style-type: none"> >80 >90 	
MacAdam Ellipses Binning 麥克亞當橢圓分級 Mac Adam binning elipse	<p>Standard Deviation Colour Matching < 3 SDCM 標準偏差配色< 3 SDCM Coincidencia de color estándar Desviación < 3 SDCM</p>	
Beam Angle 光束角 ángulo de haz	<ul style="list-style-type: none"> 100° PC Diffuser UGR 19 60° PC Diffuser+ Louver B UGR 13 Asymertric Angle for Wallwasher Application 	<ul style="list-style-type: none"> 65° PC Diffuser+ Louver A UGR 19 30° Lens or 45° Lens 130° Penta-PC-Diffuser
Luminaire Efficacy燈具效率 La eficacia de la luminaria	<ul style="list-style-type: none"> 110 Lm/w(2700K) 120 Lm/w(5000K) 	<ul style="list-style-type: none"> 110 Lm/w(3000K) 120 Lm/w(6000K) 120 Lm/w(6500K)
LED Source Luminous Efficacy LED光源光效Fuente luminosa LED Eficacia	<ul style="list-style-type: none"> 130 Lm/w(2700K) 140 Lm/w(5000K) 	<ul style="list-style-type: none"> 130 Lm/w(3000K) 140 Lm/w(6000K) 140 Lm/w(6500K)
Housing materials-外殼材料 Materiales de la carcasa	Aluminium Alloy and Polycarbonate or PMMA 鋁合金和PC或亞克力 Aleación de aluminio y policarbonato o PMMA	
Housing Color外殼顏色 color de la carcasa	Matte white / Matte black 啞光白色 / 啞光黑色 Blanco mate / Matte black	
Ingress Protection-防護等級 Protección de ingreso	IP40	
Operating Humidity -工作濕度 Humedad de funcionamiento	0~90%, non-condensing-不結霜 sin condensación	
Operating Temperature Range / 工作溫度範圍 Rango de temperatura de funcionamiento	-30 °C / +50 °C	
Comply Testing Standard 符合測試標準 Cumplir el estándar de prueba	<p>LED Luminaries: LVD: IEC/EN 60598-1;EN / IEC/EN 60598-2-1;IEC62471;IEC/EN 62031; IEC/EN 62493; IEC/EN 62471 TM21 LED Driver: IEC/EN 61347-1; IEC/EN 61347-2-13; IEC/EN 62384; IEC/EN 61000-3-2 IEC/EN 61000-3-3;IEC/EN61574;EN 55015; IEC /EN 62384</p>	

Certification-認證-Certificación



Project	Fixture#	Date
		Firm

Ordering Information

Choose the option that suits your need and write its corresponding code on the appropriate line to form the product code.

Example product code: [LASHE-36W-SW-80-40-M-990](#)

LASHE - - - - -

Power Consumption
LED Driver Type (Remoted Type)
Color Temperature
Color Rendering Index
BEAM Angle (Diffuser System)
LENGTH

Power Consumption		LED Driver Type (Remoted Type)		Color Temperature		Color Rendering Index		BEAM Angle (Diffuser System)		LENGTH	
Code	Description	Code	Description	Code	Description	Code	Description	Code	Description	Code	Description
12W	12W @ L: 570mm @ L: 1130mm	SW	ON/OFF Switch	27	2700K	80	CRI >80	S	30° Lens	570	L: 570mm
15W	15W @ L: 710mm	ELV	ELV Leading Edge Control	30	3000K	90	CRI >90	M	45° Lens	710	L: 710mm
18W	18W @ L: 850mm @ L: 1130 mm	AN	Analog 0 -10V Dimming	40	4000K			T	60° PC Diffiser+ Louver B UGR 13	850	L: 850mm
20W	20W @ L:1270mm	DA	DALI Dimming	50	5000K			G2	65° PC Diffiser+ Louver A UGR 19	990	L: 990mm
24W	24W @ L: 570mm or @ L: 1130 mm	DMX	DMX Dimming	65	6500K			S	Asymertric Angle for Wallwasher Application	1130	L: 1130mm
26W	26W @L: 990mm	RDM	RDM Dimming	CA	CCT Adjustable (2700K-6500K)			G	100° PC Diffiser UGR 19	1270	L: 1270mm
27W	27W@ L:1270mm	EM	Emergency Battery					P	130° Penta-PC-Diffuser	1410	L: 1410mm
30W	30W @ L: 710mm or @ 1410mm	ZI	ZIGBEE Wireless Control							1550	L: 1550mm
33W	33W@ L:1270mm @ L: 1550mm									1690	L: 1690mm
36W	36W @ L:850mm @ L:1130mm @ L: 1690mm									1830	L: 1830mm
39W	39W @ L:1830mm									3080	L: 3080mm
42W	42W @ L: 990mm										
48W	48W @ L:1130mm										
54W	54W @ L:1270mm										
60W	60W @ L:1410mm										
72W	72W @ L: 1690mm										
73W	73W @ L: 3080mm										
78W	78W @ L: 1830mm										
93W	93W @ L: 3080mm										

Accessories



Gateway- NANO



INNO-SENSOR-823



INNO-SENSOR-826

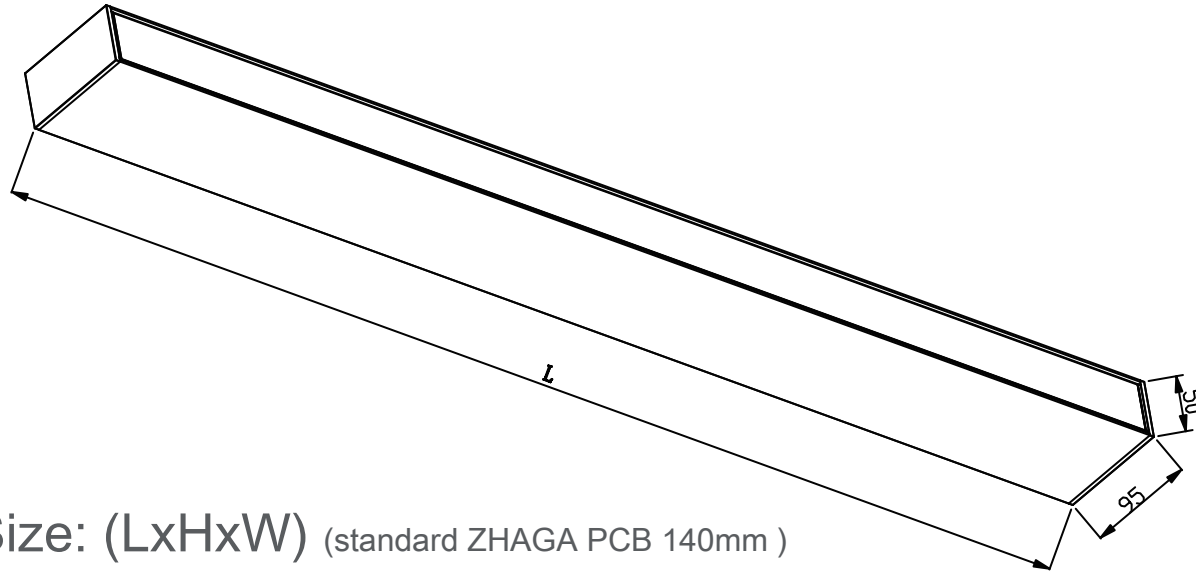


Z501-CZ



INNO503

Technical Drawing

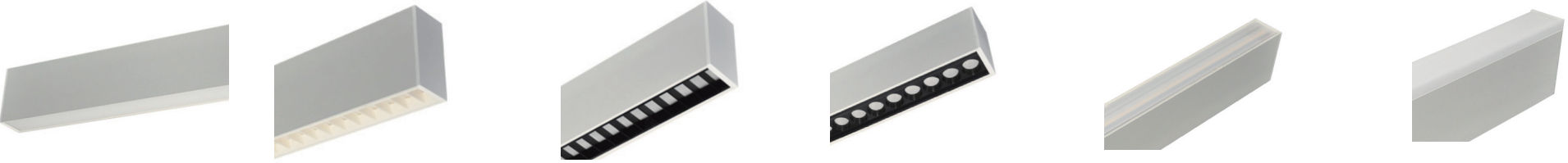
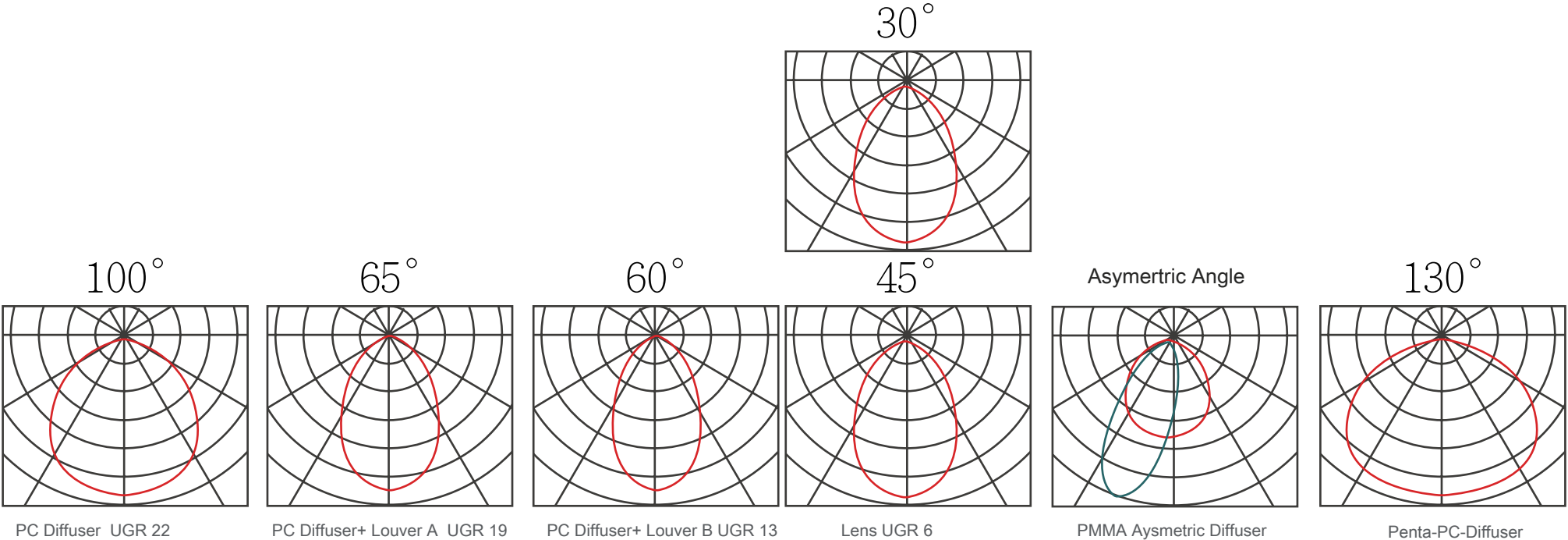


Size: (LxHxW) (standard ZHAGA PCB 140mm)

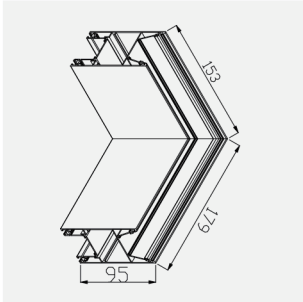
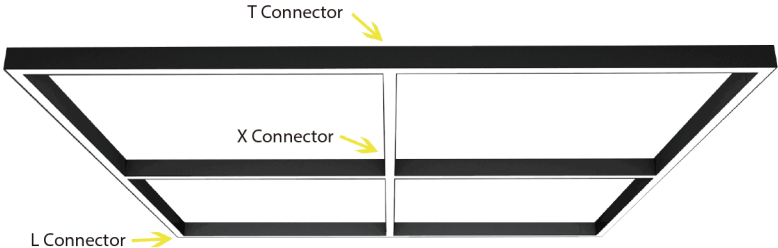
- L: 570 (140x4+10) x 95 x 50 mm
- L: 710 (140x5+10) x 95 x 50 mm
- L: 850 (140x6+10) x 95 x 50 mm
- L: 990 (140x7+10) x 95 x 50 mm
- L: 1130(140x8+10) x 95 x 50 mm
- L: 1270(140x9+10) x 95 x 50 mm
- L: 1410(140x10+10) x 95 x 50 mm
- L: 1550(140x11+10) x 95 x 50 mm
- L: 1690(140x12+10) x 95 x 50 mm
- L: 1830(140x13+10) x 95 x 50 mm
- L: 3080 x 95 x 50 mm

Unit: mm

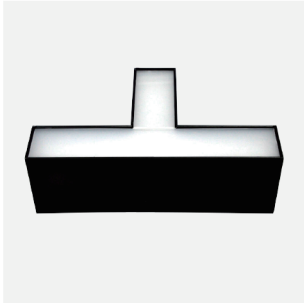
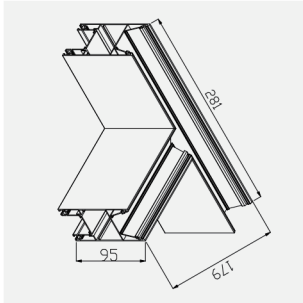
BEAM ANGLE



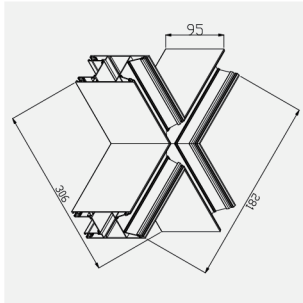
Connect Accessories:



L Connector



T Connector



X Connector

Unit: mm