


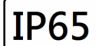





LATARY PRO

7W - 32W IP65



- Die-cast aluminum with safety Clear Glass or Frosted Glass
- UV resistant and corrosion-resistance powder coating
- Anti-glare and high purity anodized reflector
- Ingress Protection: IP65

Technical Data

Luminaire Type-安裝方式 Tipo de luminaria	Recessed Mount Fixed Type 嵌入式筒燈 Tipo de montaje empotrado
Dimension-尺寸-Dimensión / mm Cut off Dimension-開孔尺寸-Cortar Dimensión / mm	<ul style="list-style-type: none"> • Dia: 90mm x H: 83mm: Cut: 83mm • Dia: 115mm x H: 98mm: Cut: 105mm • Dia: 140mm x H: 126mm: Cut: 125mm
Input Voltage-輸入電壓-Voltaje de entrada	AC220-240V 50/60Hz
Power Consumption Max-燈具功率 Consumo de energía Max	<ul style="list-style-type: none"> • Dia: 90mm 7W 9W 12W • Dia: 115mm 15W 18W 20W 22W • Dia: 140mm 25W 30W 32W
LED Driver Type LED驅動款式 Tipo de controlador LED	Remote-type LED Driver--Constant Current LED Driver: Refer to LED driver specification 請參閱LED驅動器規格 Consulte la especificación de controlador de LED 1. ON/OFF Switch AC 220-240V 50/60HZ 2. 1-10V Dimming Driver (1%-100%) AC220-240V 50/60HZ 3. Dali 1 or Dali 2 Dimming Driver(1%-100%) AC220-240V 50/60HZ
LED Driver Features Constant Current LED Driver: 驅動特性-恆流LED驅動器 Funciones del controlador de LED	POWER FACTOR : PF>0.9 or PF >0.95 @ Full Load TOTAL HARMONIC DISTORTION: THD< 20%
Control Protocol-控制協議Protocolo de Control	1-10V / Dali / ZIGBEE Wireless Control
Beam Angle 光束角 /ángulo de haz	24° 40° 60° (Frosted Glass Diffuser with 80% transmission)
Light Source Brand-光源品牌-Fuente de luz de marca	CREE COB
"Lumen Maintenance LM-80 Reported by TM-21"@ 25°C	L70> 54,000 hrs
LED Life-LED壽命-La vida del LED	>100,000 hours
Color Temperature -色溫 Temperatura del color	2700K / 3000K / 4000K / 5000K / 6500K
Color Rendering Index-顯色指數 Índice de reproducción cromática	>80 > 90
Chromaticity Tolerance (initial Macadam)色度容差 (初始Macadam) Tolerancia de cromaticidad (Macadam inicial)	Standard Deviation Colour Matching < 3 SDCM標準偏差配色 < 3 SDCM Coincidencia de color estándar Desviación < 3 SDCM
Luminaire Efficacy燈具效率 La eficacia de la luminaria	110Lm/w(2700K), 120 Lm/w(3000K), 130 Lm/w(4000K), 130 Lm/w(5000K), 130 Lm/w(6500K)
LED Source Luminous Efficacy LED光源光效 Fuente luminosa LED Eficacia	130Lm/w(2700K), 140 Lm/w(3000K), 150 Lm/w(4000K), 150 Lm/w(5000K), 150 Lm/w(6500K)
Housing materials-外殼材料 Materiales de la carcasa	Die-cast aluminium and Clear glass or Frosted Glass 壓鑄鋁和透明玻璃或磨砂玻璃 Difusor de Aluminio fundido a presión y Vidrio Transparente
Reflector反光杯Reflector -COB LED	Bright silver 亮銀Plata brillante
Trim Color-框邊顏色-Estilo Color	Sand white RAL9003 / Sand black RAL9005 / Sand Grey RAL9006 沙白 RAL9003 / 沙黑 RAL9005 / 沙灰 RAL9006 Blanco arena RAL9003 / Negro arena RAL9005 / Gris arena RAL9006
Mech impact protection 機械衝擊保護 Protección contra impactos mecánicos	IK08
Ingress Protection-防護等級 Protección de ingreso	IP65
Operating Temperature Range / 工作溫度範圍 Rango de temperatura de funcionamiento	-30 °C To +50 °C
Operating Humidity -工作濕度 Humedad de funcionamiento	0~100%, non-condensing-不結霜 sin condensación
Comply Testing Standard 符合測試標準 Cumplir el estándar de prueba	LED Luminaires: IEC/EN60598-1 ; EN60598-2-1 ; IEC/EN 62031 ; IEC/EN 62493; IEC TR62778 ; IEC62471; RoHS LED Driver: EN 55015 / EN 61000-3-2 / EN 61347-1 / EN 61347-2-13 / EN 61547 / EN 62384
Certification-認證-Certificación	      

Project	Fixture#	Date
		Firm

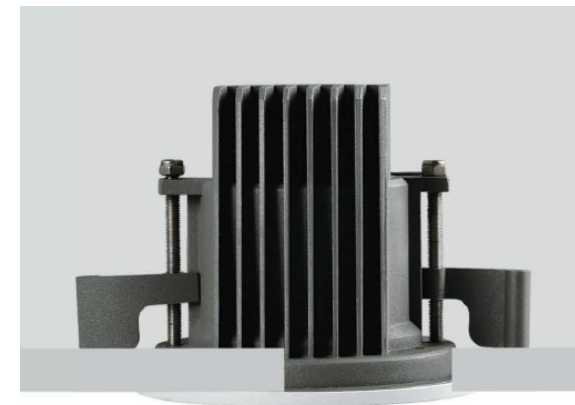
Ordering Information

Choose the option that suits your need and write its corresponding code on the appropriate line to form the product code.

Example product code: [LATARY-12W](#)

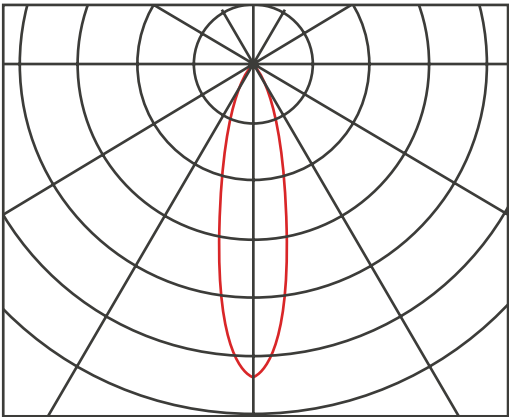
LATARY- - _____
Power Consumption

Power Consumption	
Code	Description
7W	7W@Dia: 90mm
9W	9W @Dia: 90mm
12W	12W @Dia: 90mm
15W	15W @Dia: 115mm
18W	18W @Dia: 115mm
20W	20W @Dia: 115mm
22W	22W @Dia: 115mm
25W	25W @Dia: 140mm
30W	30W @Dia: 140mm
32W	32W @Dia: 140mm

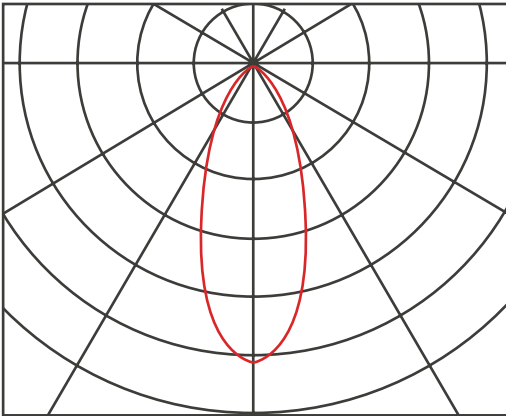


BEAM ANGLE

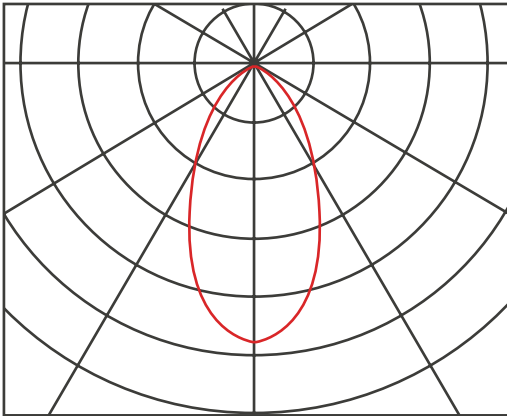
24°



40°

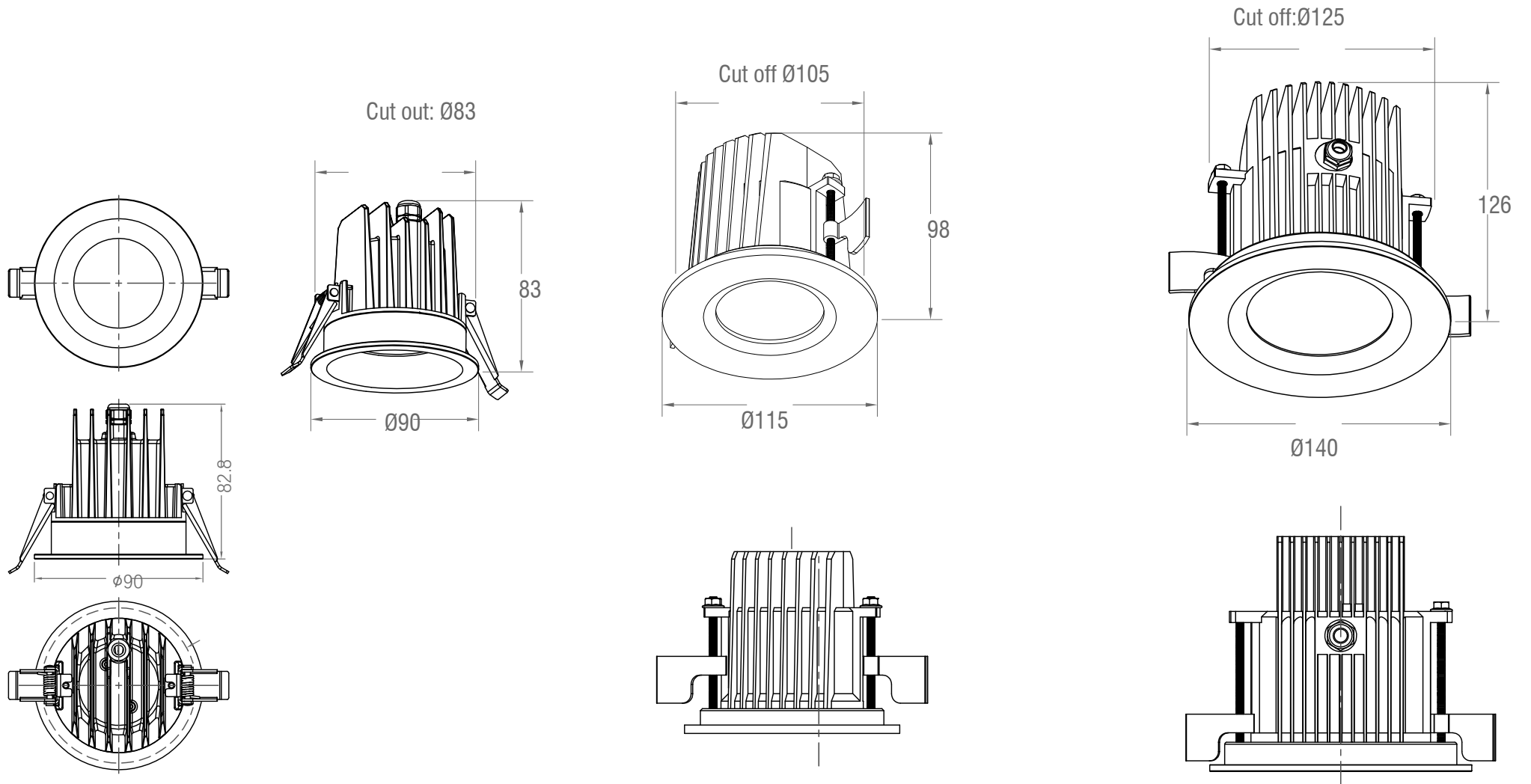


60°



Frosted Glass

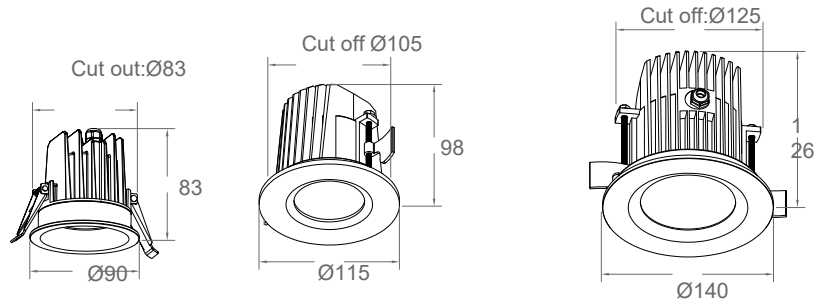
Technical Drawing



Unit: mm

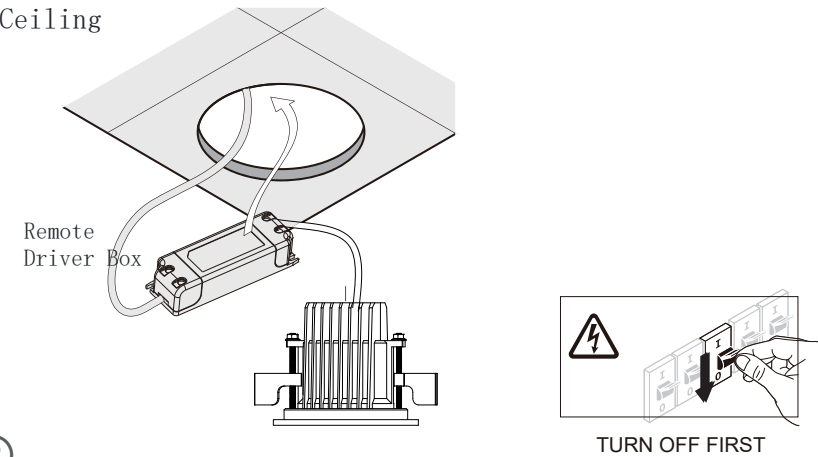
Installation Guideline

Product Dimension:



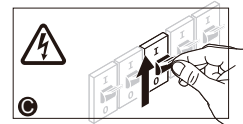
①

Ceiling



②

Install the luminaires to the corresponding location.



Turn on to check wiring connection.

③

④

